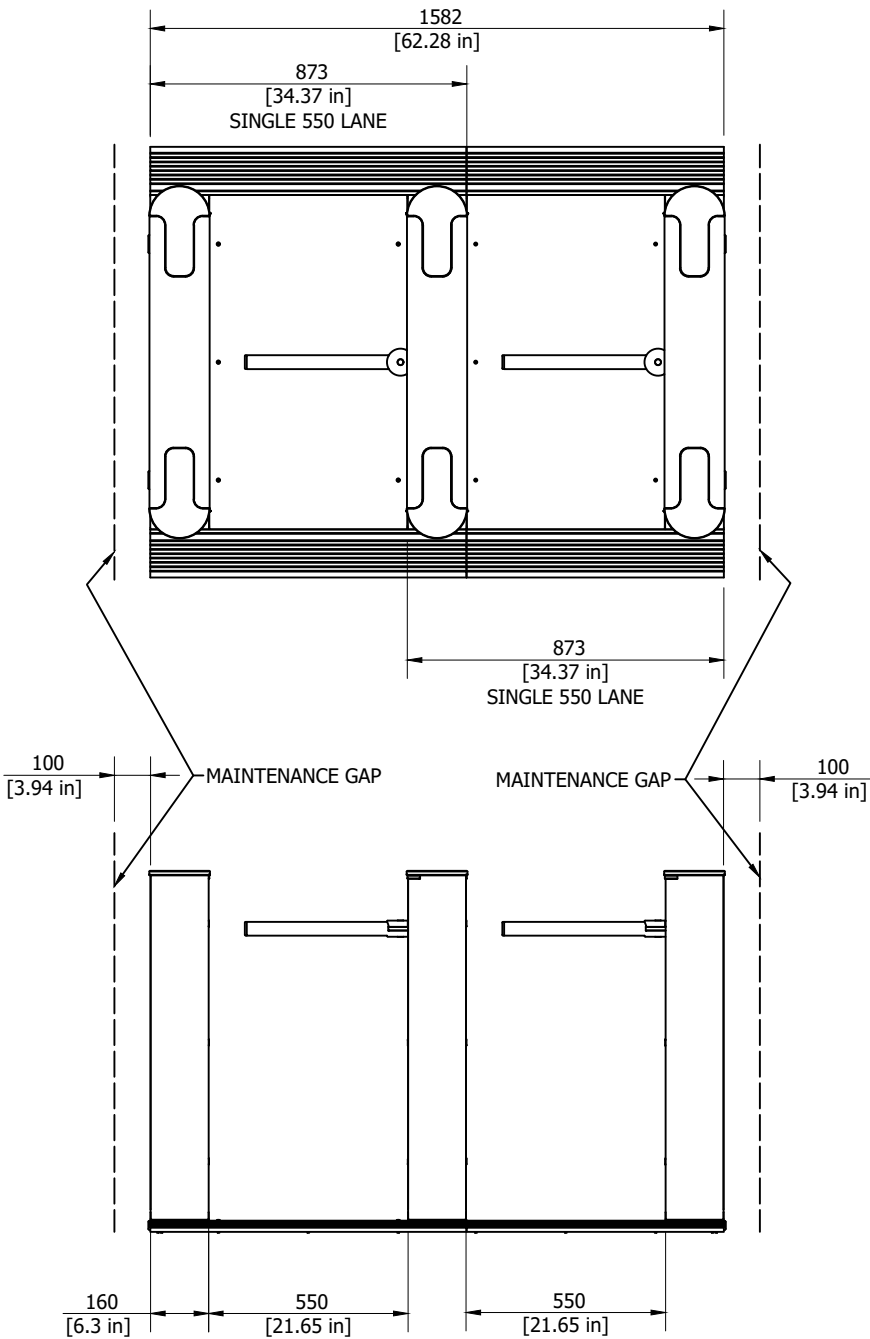
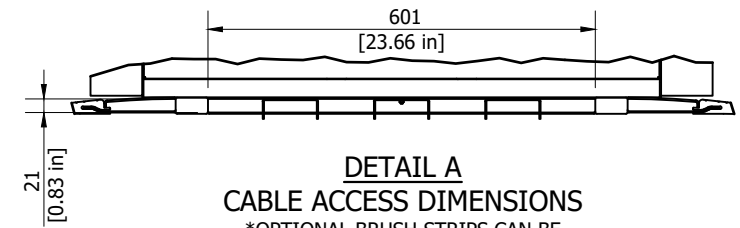
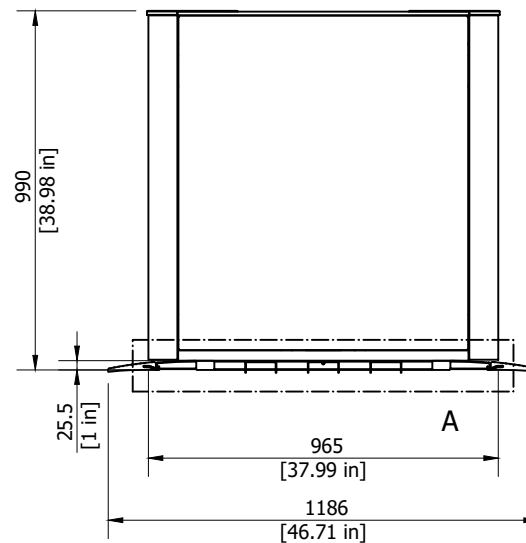
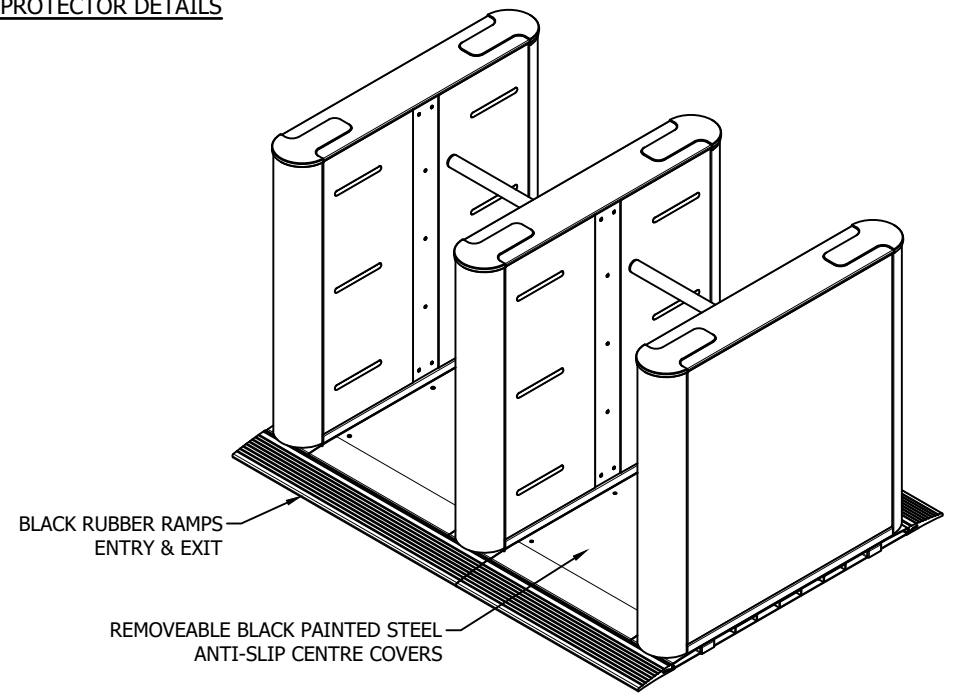


**DRAWING VIEWS
& DIMENSIONS**



FLOOR PROTECTOR DETAILS



DETAIL A
CABLE ACCESS DIMENSIONS
*OPTIONAL BRUSH STRIPS CAN BE
FITTED EITHER SIDE TO HIDE THE GAP*

**PRODUCT: FLOOR PROTECTOR V2
FASTLANE COMPACT**

TITLE: GENERAL INFORMATION

DRAWING No: FPV2FP30MA_A1

FOR SALES INFORMATION ONLY - SUBJECT TO CHANGE
ALL DIMENSIONS ± 2mm
This document is copyright of Integrated Design Ltd

