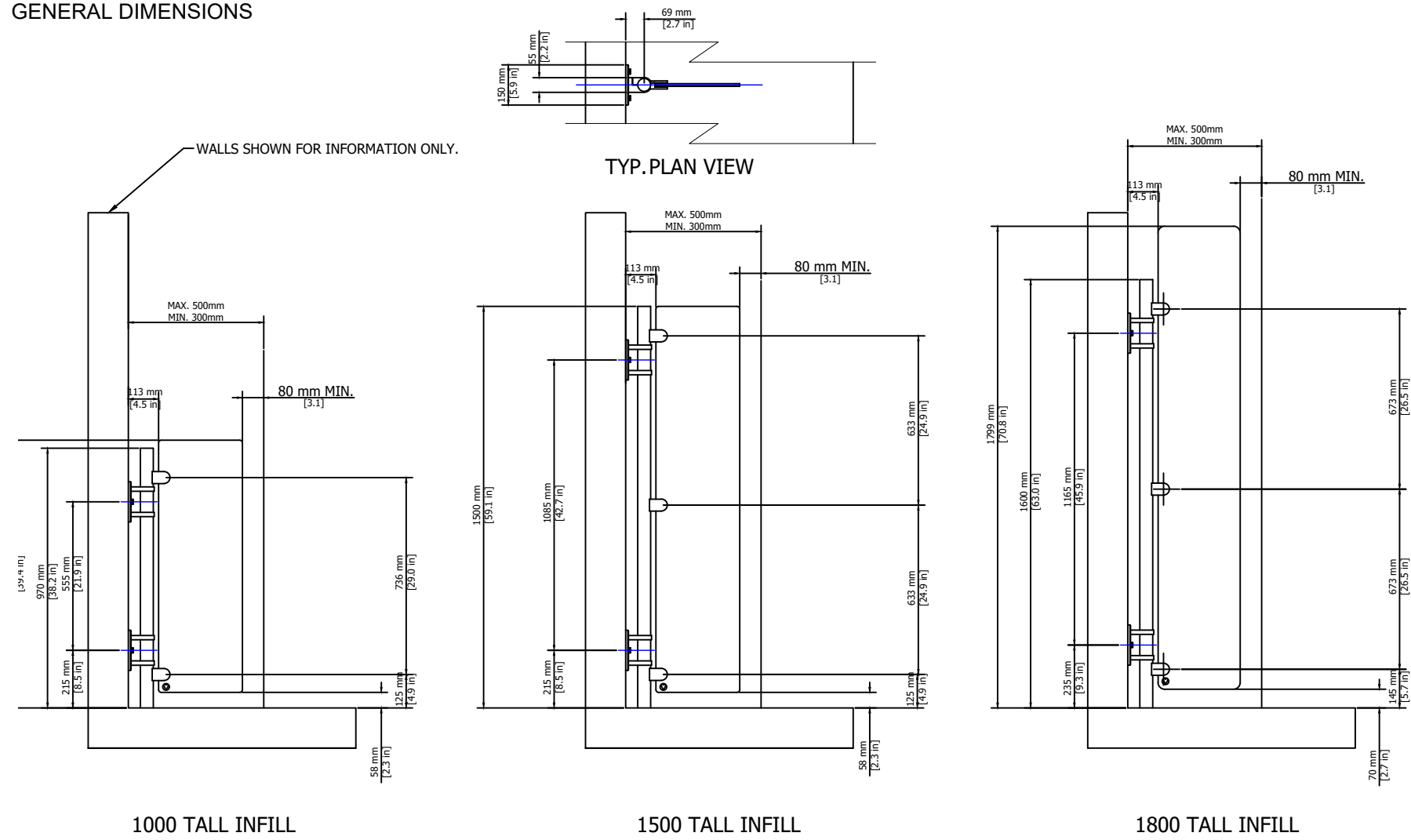
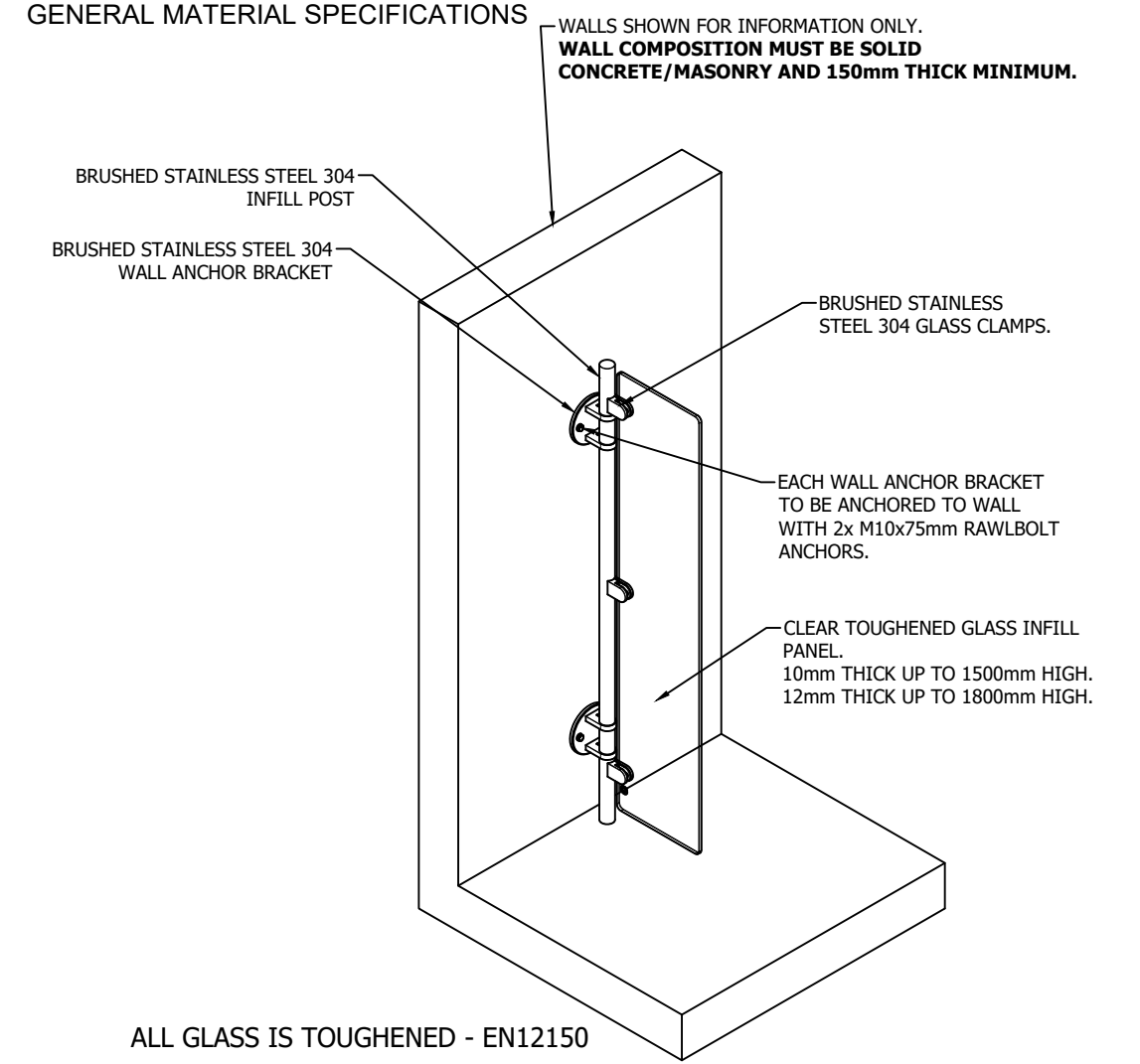


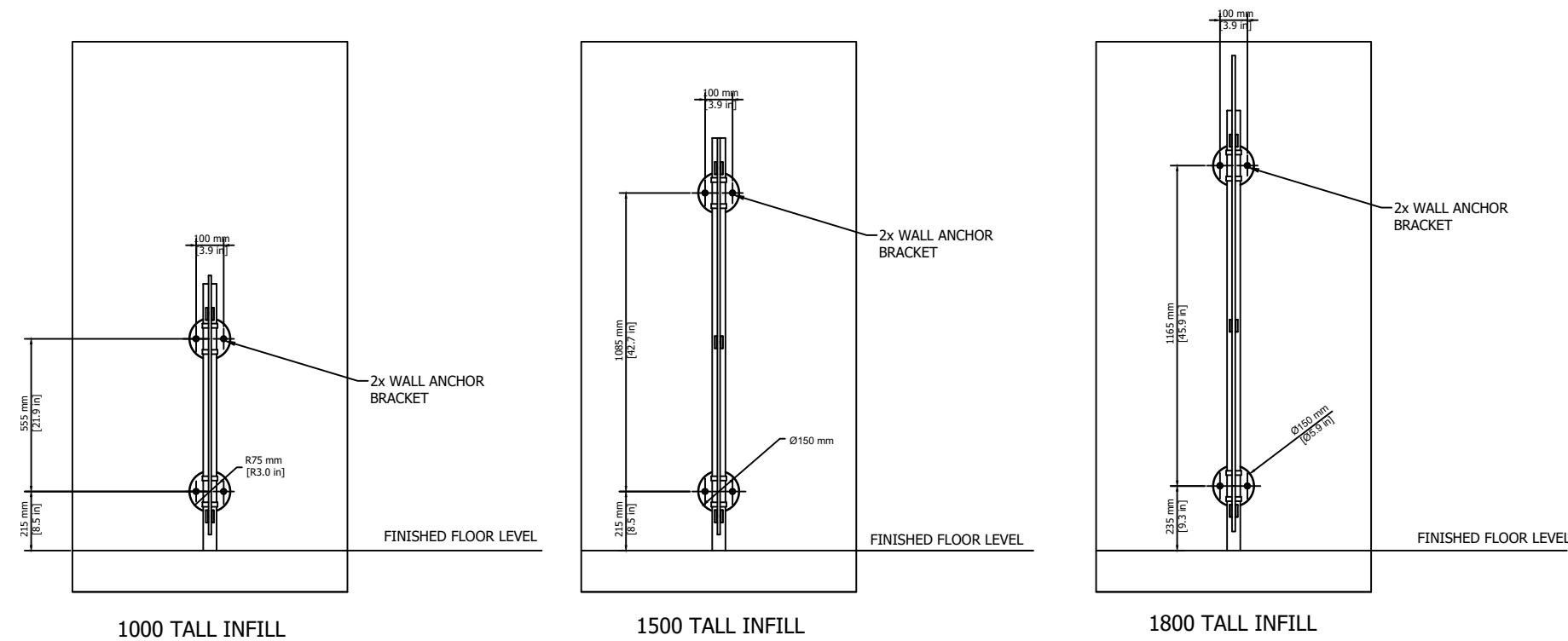
GENERAL DIMENSIONS



GENERAL MATERIAL SPECIFICATIONS



WALL FIXING POSITIONS



PRODUCT: WALL MOUNTED INFILL

TITLE: GENERAL INFORMATION

DRAWING No: WALLINFILL\_A4

FOR SALES INFORMATION ONLY-SUBJECT TO CHANGE  
ALL DIMENSIONS NOMINAL

This document is the copyright of Integrated Design Ltd

