



Overview

Buildings that have many visitors and supply them with access cards can spend thousands of dollars a year on visitor cards. Fastlane Visitor Card Return System is designed for use with Fastlane optical turnstiles and allows the collection of visitor cards upon entry or exit so the cards can be used again by other visitors.

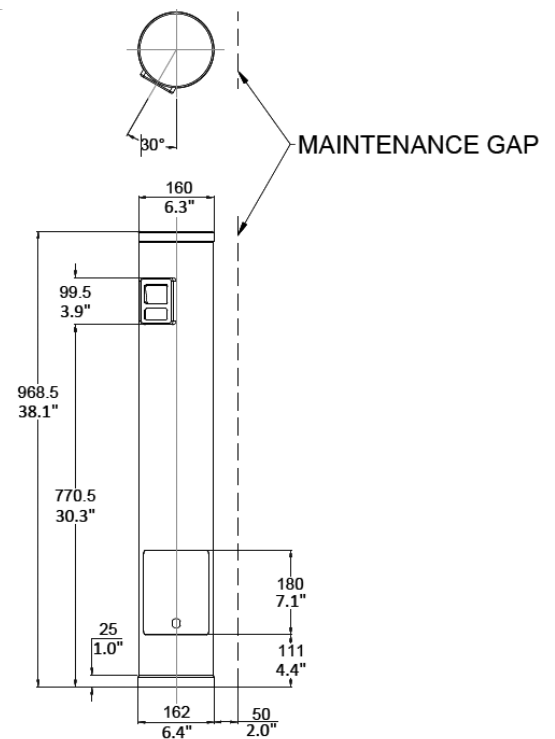
The Card Return System can be mounted in the end of a pedestal for many Fastlane models. A free standing version is ideal for use with Fastlane Intelligate or Passgate and other models where there is no room for the system to be mounted internally.

Operation

Staff enter the turnstile using a card reader mounted behind a frosted reader window or elsewhere on the pedestal. Visitors are instructed to place their access cards in the return slot. The visitor card is drawn in and slowly passes a secondary card reader which authorizes entry or exit. The cards are then dropped into a locked tray where they can be collected by security staff at a later time.

Dimensions - free-standing model

Diameter: top 6.3" (160 mm), base 6.4" (162 mm) Height: 38.9" (987 mm)

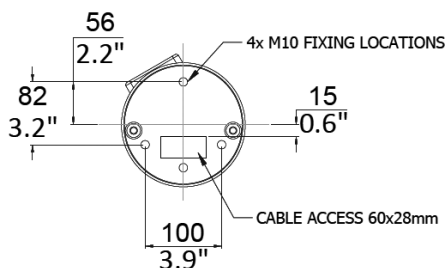


Accessories

Fastlane® Visitor Card Return System

Recycling that saves money

The Visitor Card Return System reduces costs as it allows visitor access cards to be recycled and reused.



Manufactured by Integrated Design Limited. Fastlane is a registered trademark of IDL, 1995.



© Copyright 2019, Smarter Security. All Rights Reserved. Smarter Security is a registered trademark of Smarter Security, Inc.