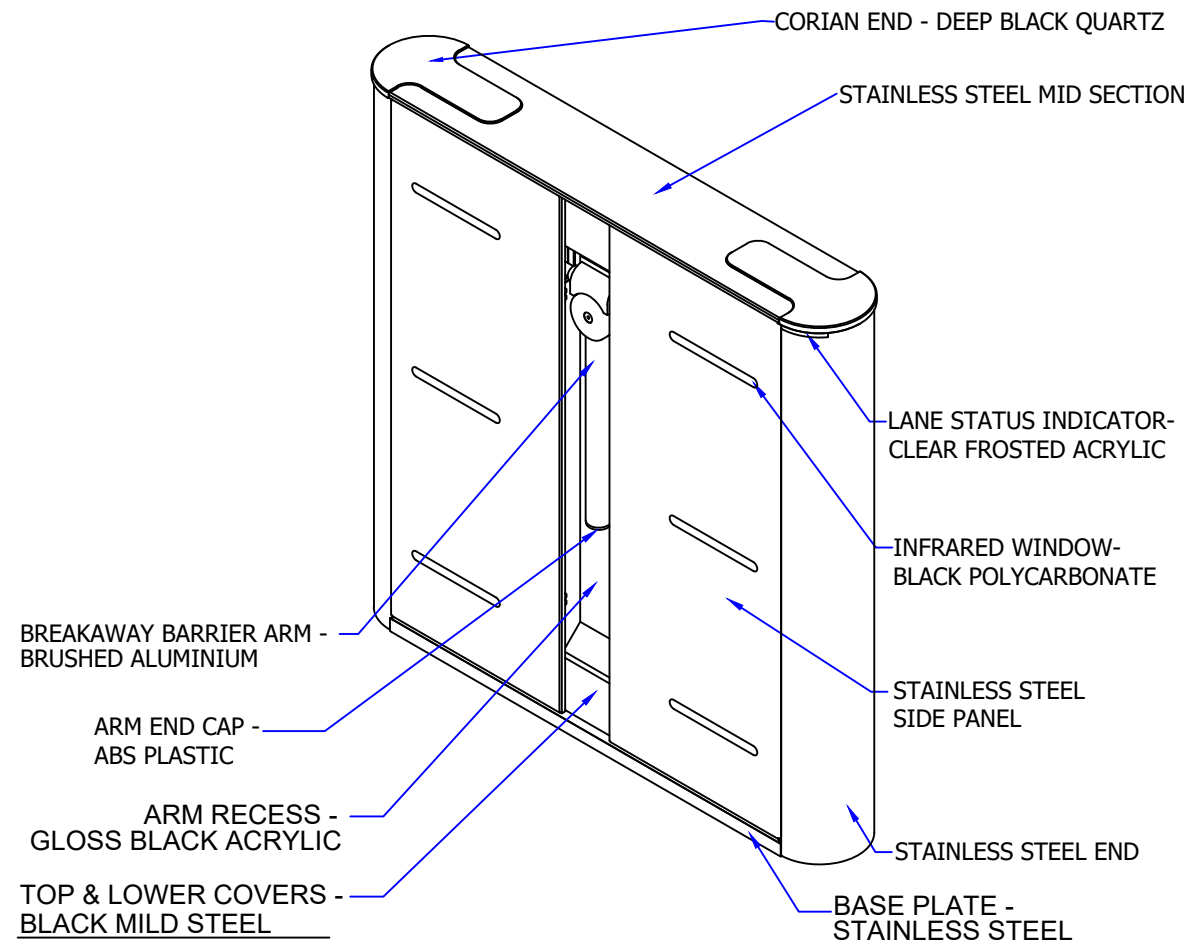
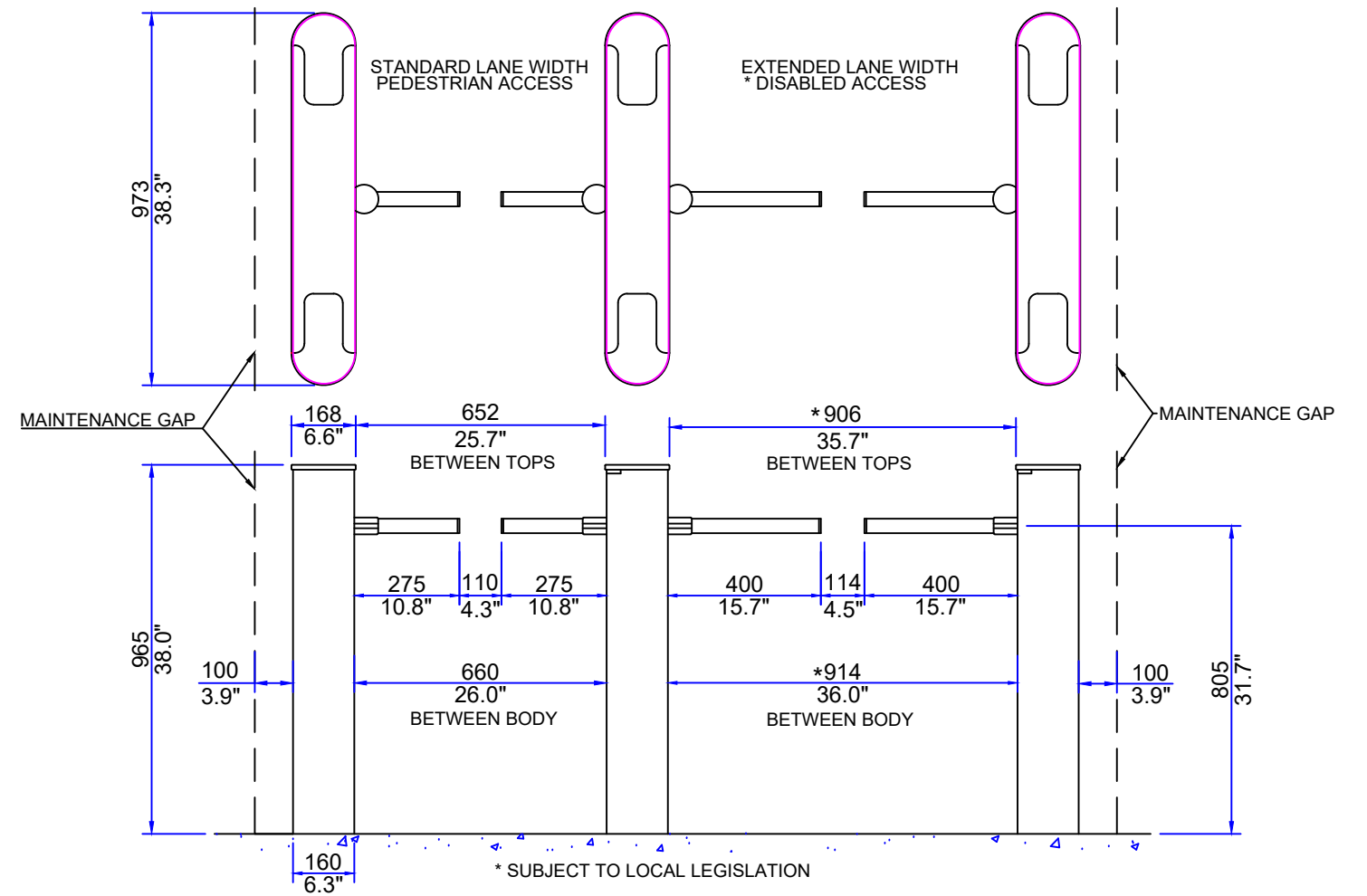


**MATERIAL SPECIFICATION**

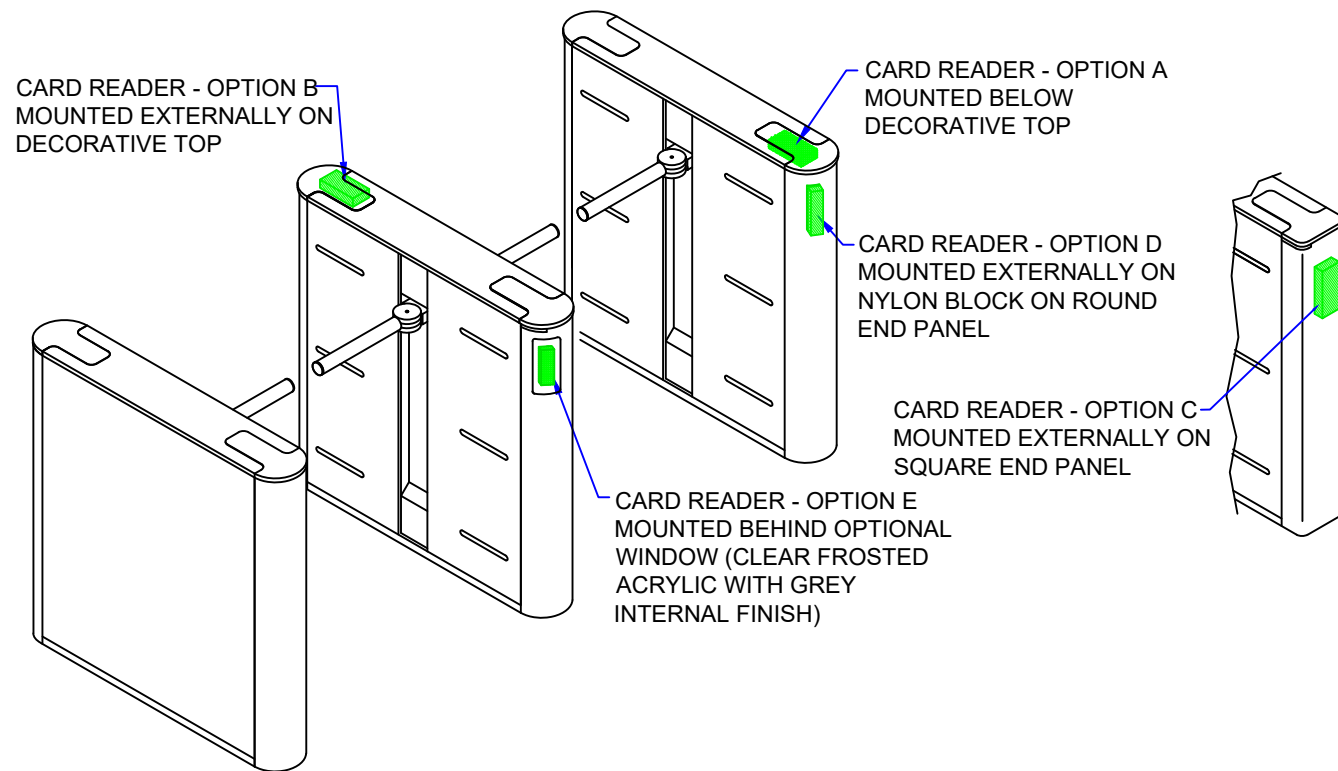


ALL STAINLESS STEEL IS 304, 240 GRIT (SATIN No. 4), HORIZONTAL GRAIN  
 DECORATIVE TOP - STAINLESS STEEL AND CORIAN HAS 4mm OVERHANG

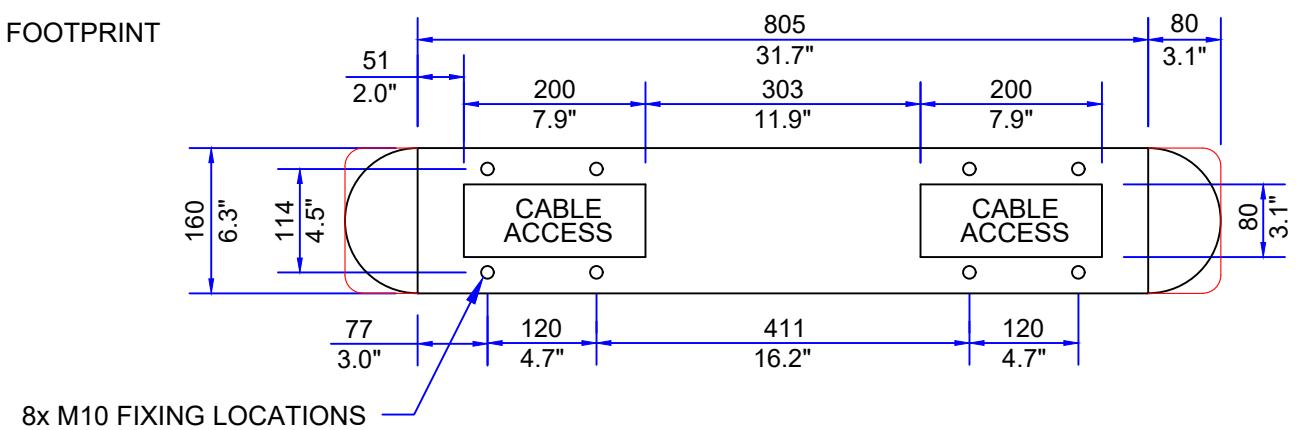
**LANE LAYOUT & GENERAL DIMENSIONS**



**READER MOUNTING OPTIONS**



**PEDESTAL FOOTPRINT**



**PRODUCT: FASTLANE PLUS 400 MA**

**TITLE: GENERAL INFORMATION**

**DRAWING No: FP400MA\_A5**

FOR SALES INFORMATION ONLY- SUBJECT TO CHANGE  
 ALL DIMENSIONS +/-2mm

This document is the copyright of Integrated Design LTD

