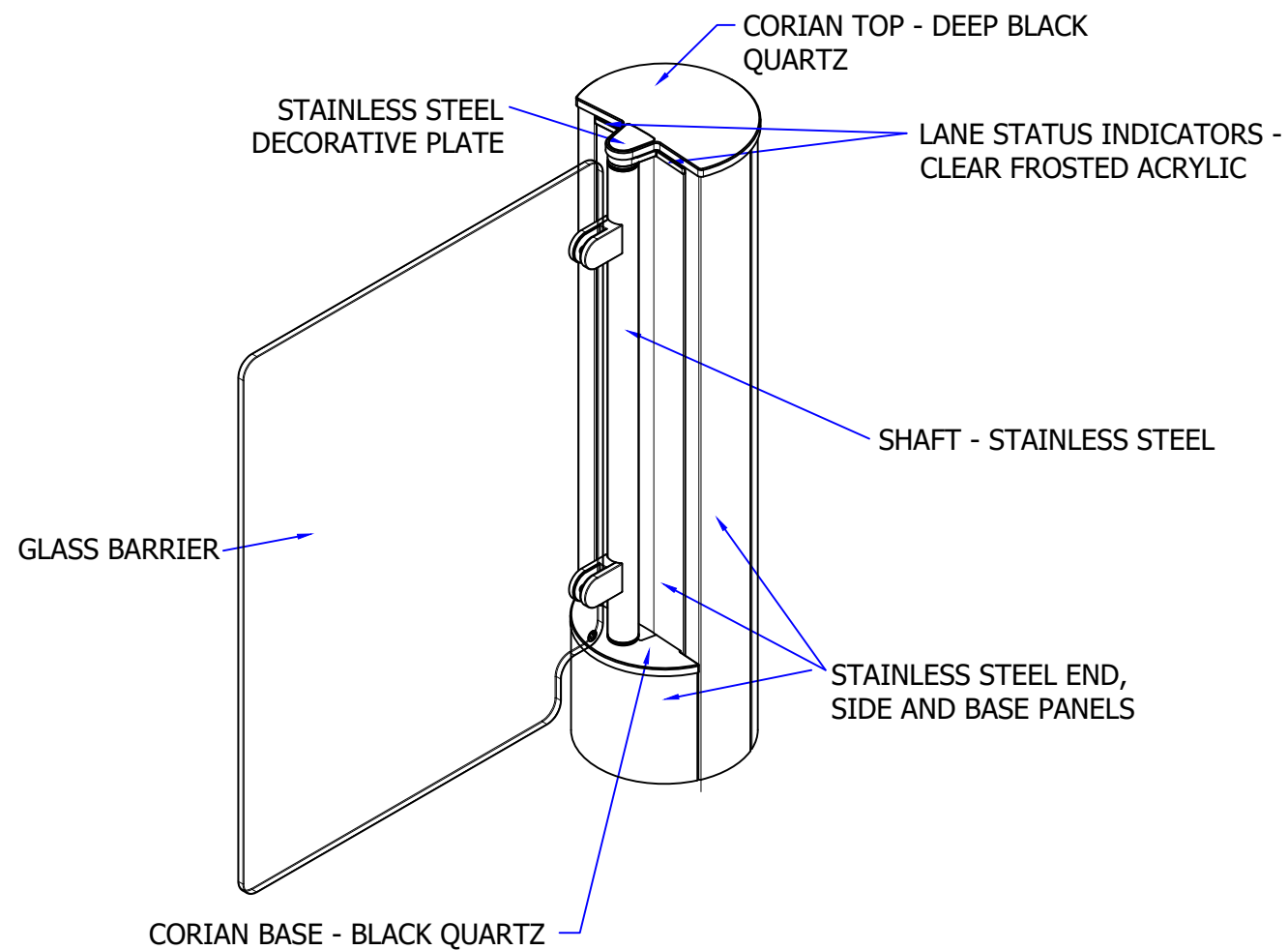
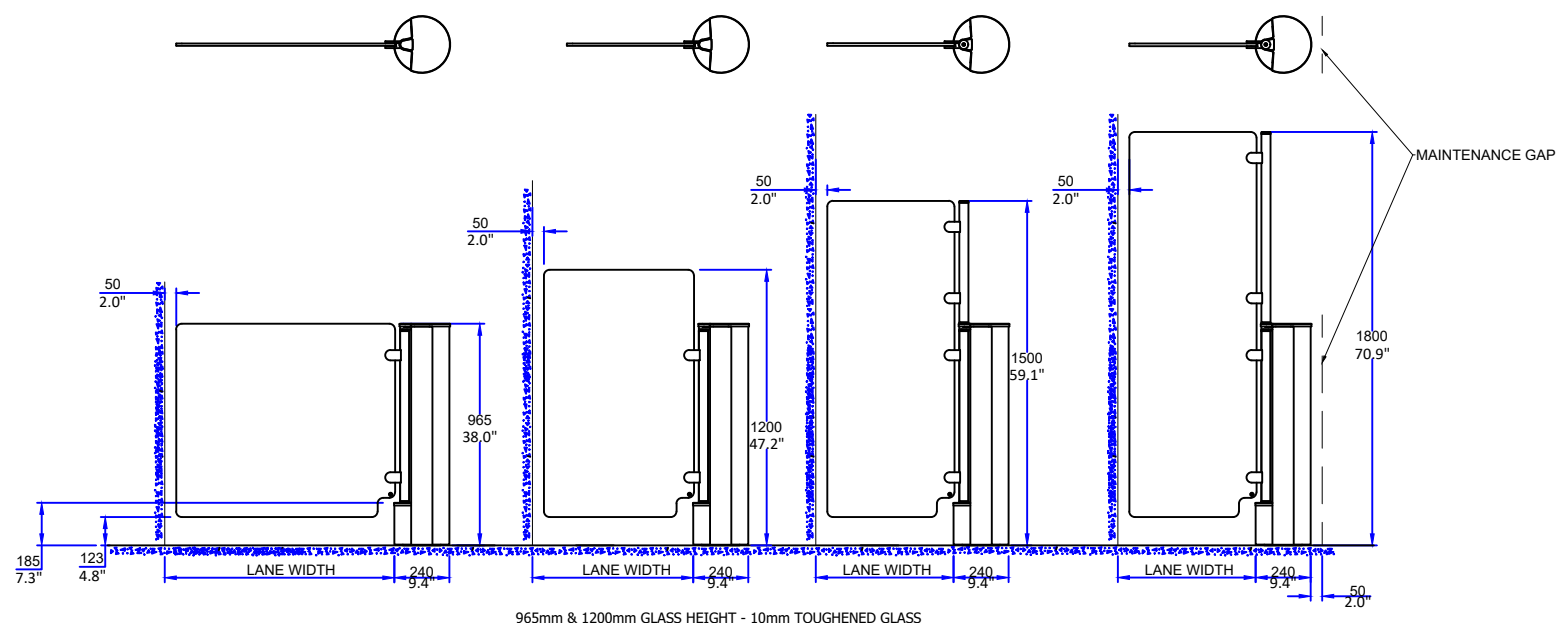


MATERIAL SPECIFICATIONS



ALL STAINLESS STEEL IS 304, 240 GRIT (SATIN No. 4), HORIZONTAL GRAIN
 ALL GLASS IS TOUGHENED- EN 12150

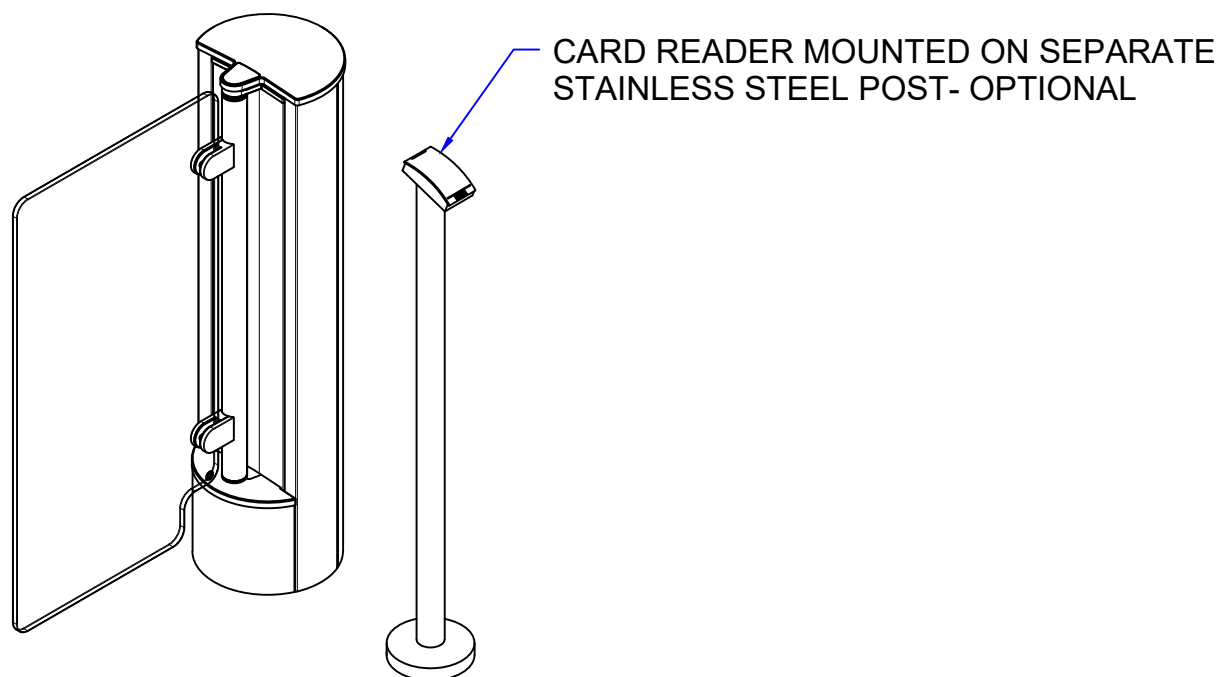
LANE LAYOUT & GENERAL DIMENSIONS



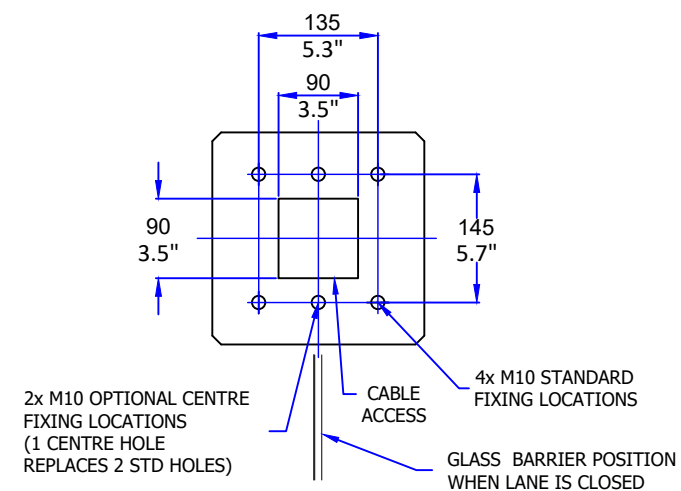
965mm & 1200mm GLASS HEIGHT - 10mm TOUGHENED GLASS
 1500mm & 1800mm GLASS HEIGHT - TWO PIECES OF 5mm TOUGHENED GLASS WITH 1.5mm LAMINATE FILM IN BETWEEN

LANE WIDTH	HEIGHT OPTIONS			
	965mm	1200mm	1500mm	1800mm
1000mm	965mm			
700mm	965mm	1200mm		
600mm	965mm	1200mm	1500mm	1800mm

READER DETAILS



PEDESTAL FOOTPRINT



PRODUCT: PASSGATE 300

TITLE: GENERAL INFORMATION

DRAWING No: PASSGATE300_A4

FOR SALES INFORMATION ONLY-SUBJECT TO CHANGE
 ALL DIMENSIONS +/- 2MM

This document is the copyright of Integrated Design Ltd

