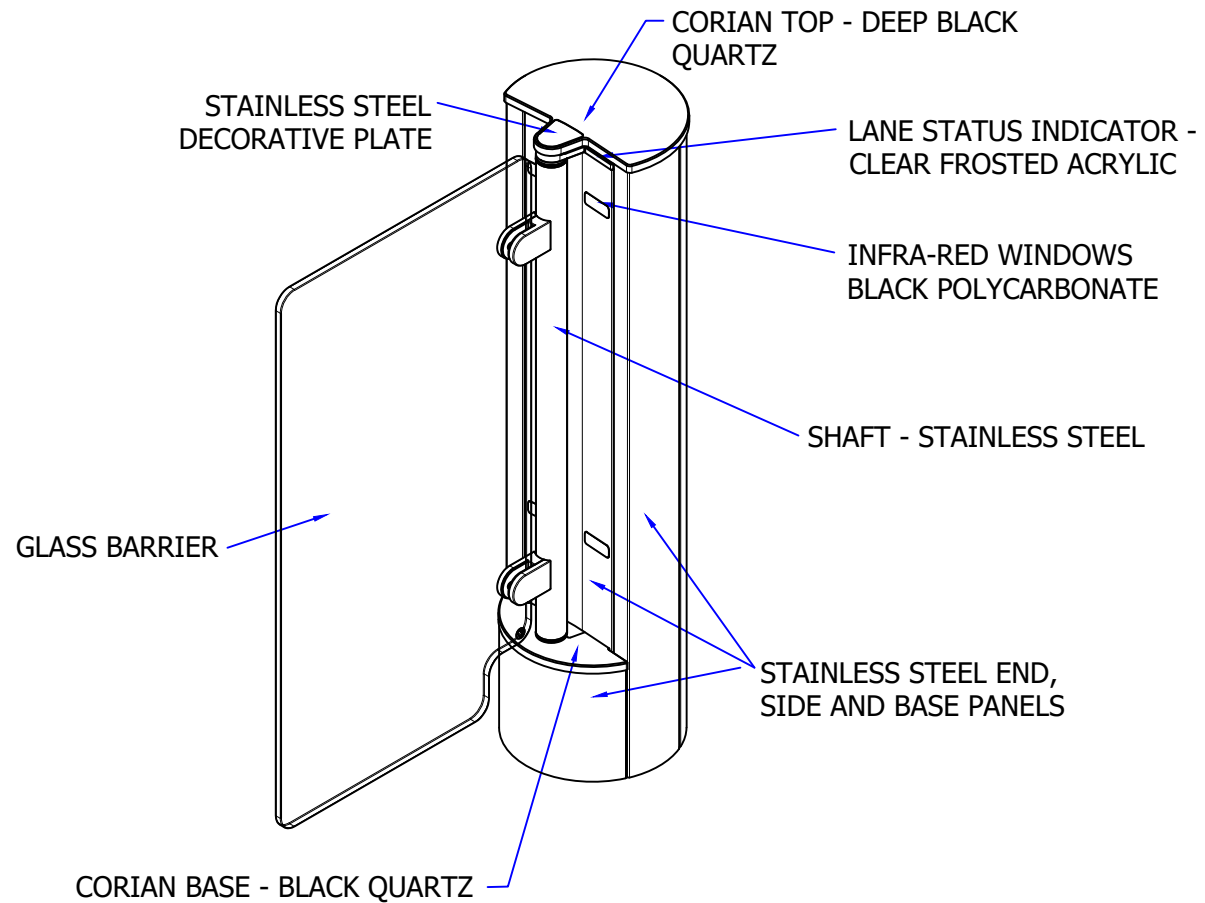
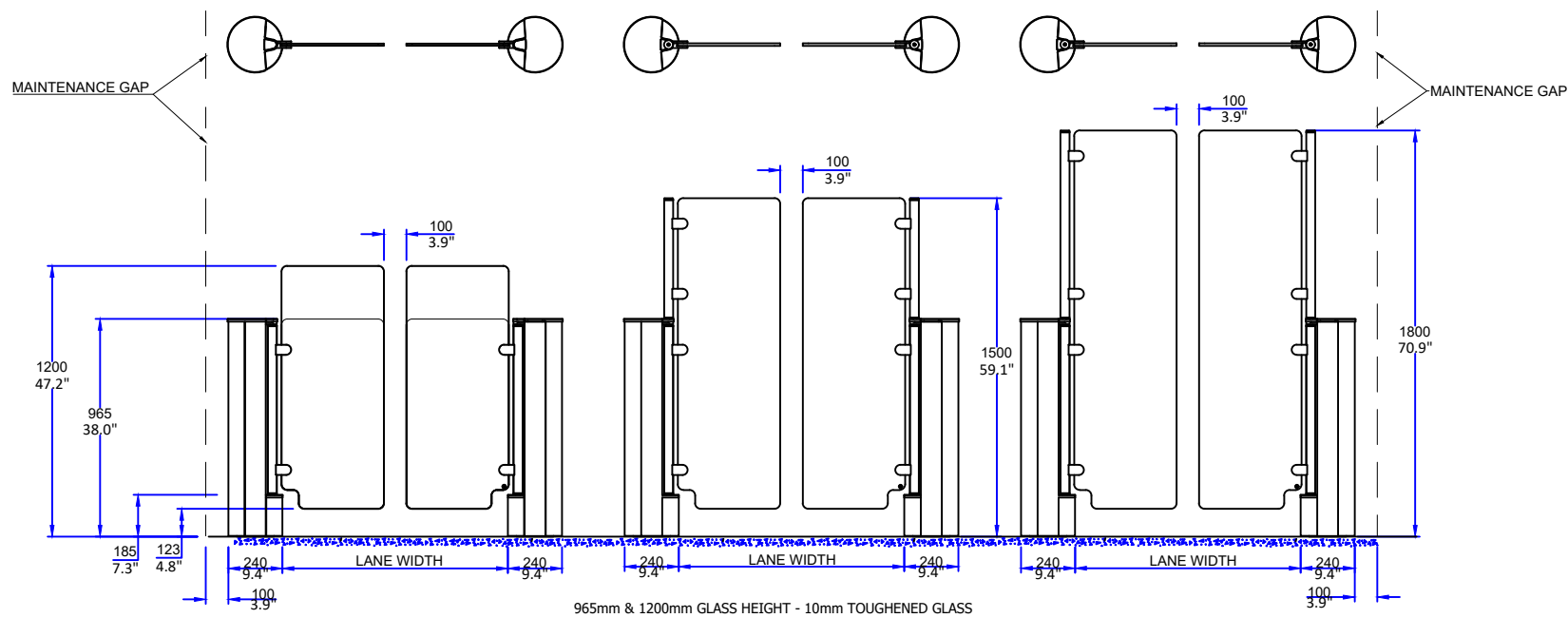


MATERIAL SPECIFICATIONS



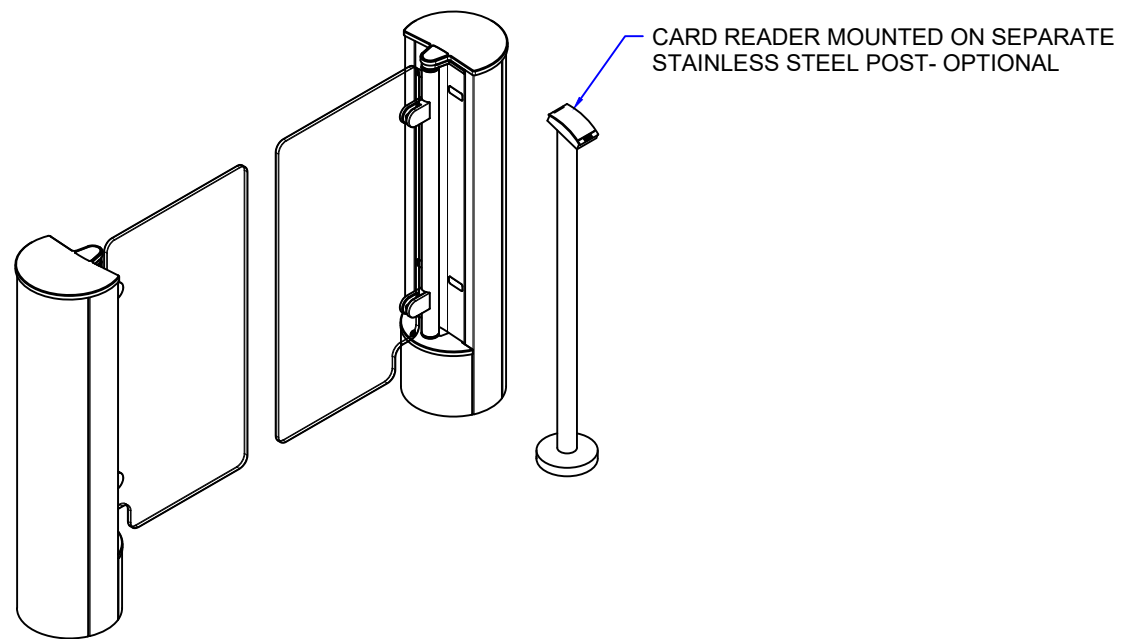
ALL STAINLESS STEEL IS 304, 240 GRIT (SATIN No. 4), HORIZONTAL GRAIN
 ALL GLASS IS TOUGHENED- EN 12150

LANE LAYOUT & GENERAL DIMENSIONS

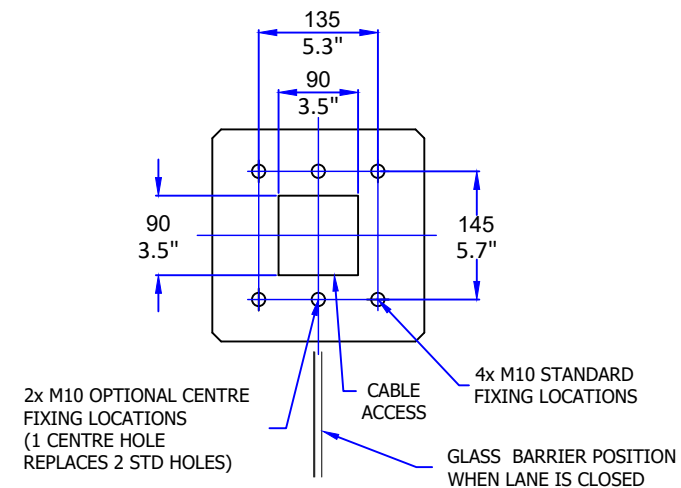


LANE WIDTH	HEIGHT OPTIONS			
	965mm	1200mm	1500mm	1800mm
1000mm	965mm	1200mm	1500mm	1800mm
1200mm	965mm	1200mm	1500mm	1800mm
1400mm	965mm	1200mm		

READER DETAILS



PEDESTAL FOOTPRINT



PRODUCT: INTELLIGATE 300

TITLE: GENERAL INFORMATION

DRAWING No: INTELLIG300 V2_A6

FOR SALES INFORMATION ONLY-SUBJECT TO CHANGE
 ALL DIMENSIONS +/- 2MM

This document is the copyright of Integrated Design Ltd

