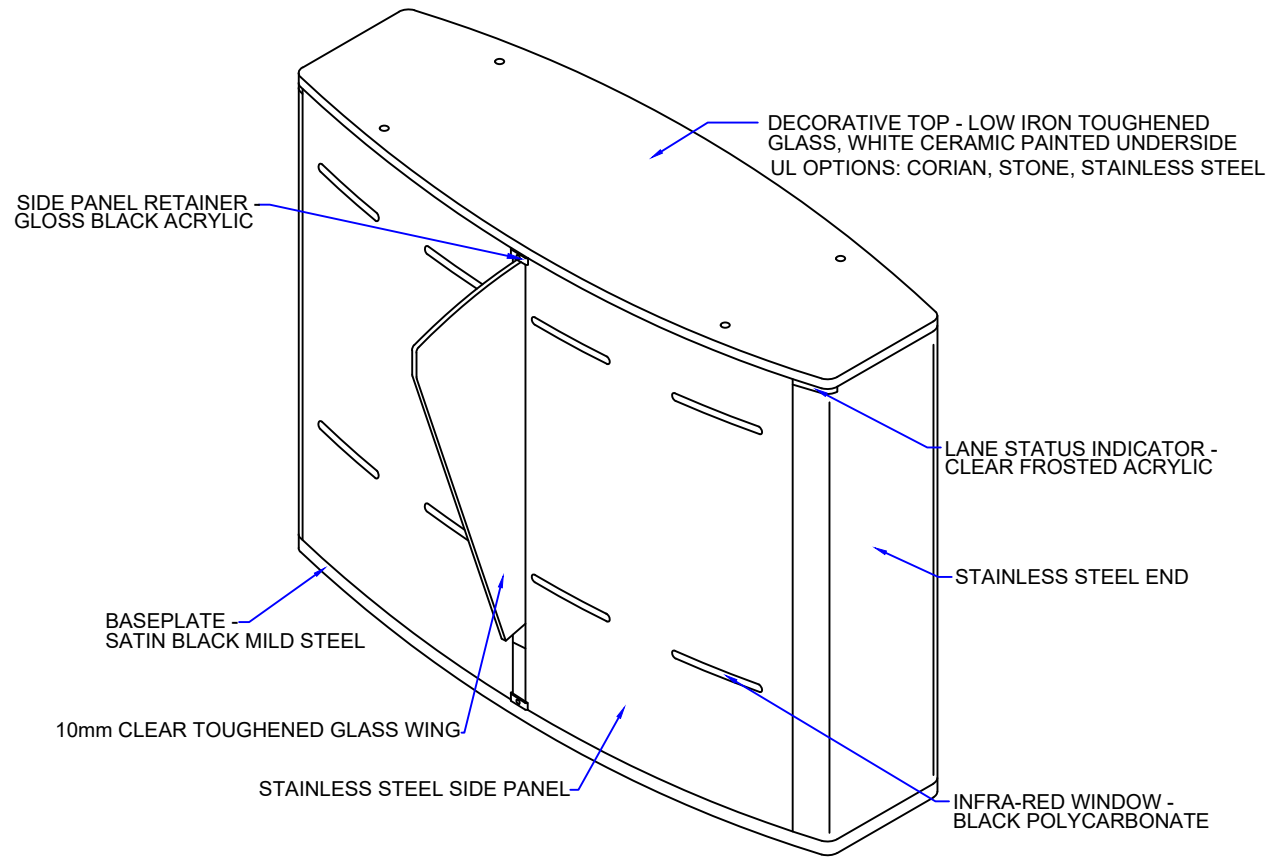
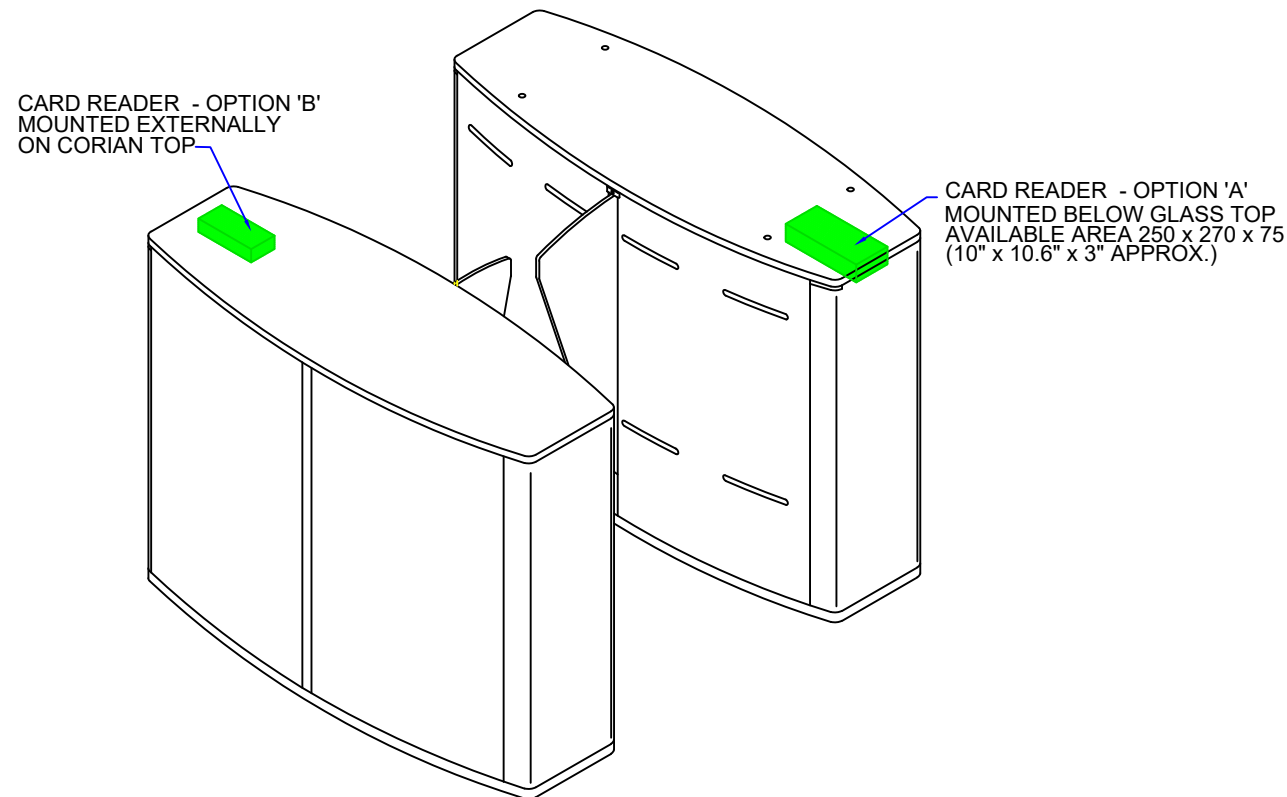


MATERIAL SPECIFICATIONS

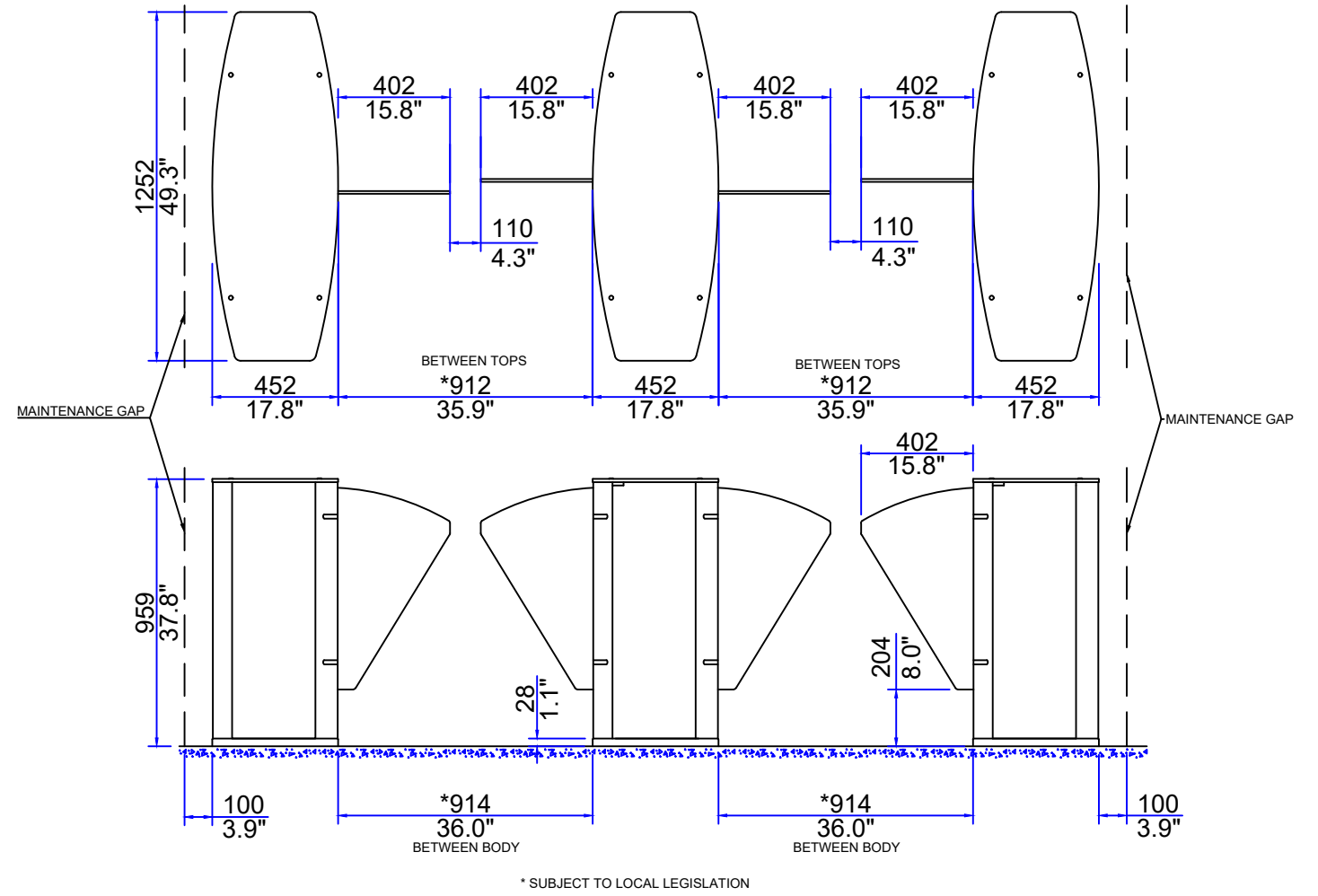


ALL GLASS IS TOUGHENED - EN12150 / ANSI Z97.1
 ALL STAINLESS STEEL IS 304, 240 GRIT (SATIN No. 4), HORIZONTAL GRAIN

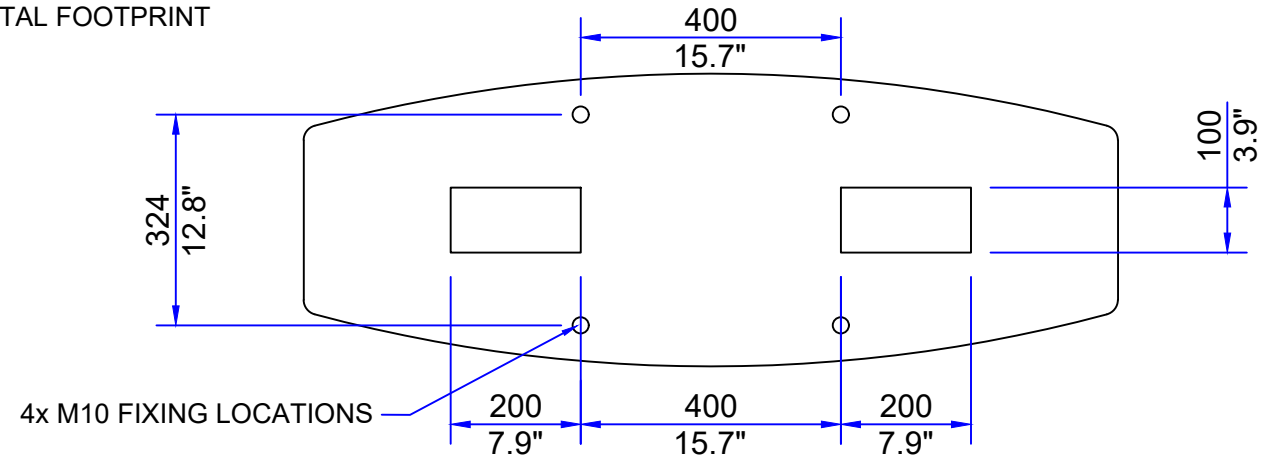
READER MOUNTING OPTIONS



LANE LAYOUT & GENERAL DIMENSIONS



PEDESTAL FOOTPRINT



PRODUCT: GLASSWING DDA
TITLE: GENERAL INFORMATION

DRAWING No: GWDDAS_A5
 FOR SALES INFORMATION ONLY-SUBJECT TO CHANGE
 ALL DIMENSIONS +/-2mm
 This document is the copyright of Integrated Design LTD

