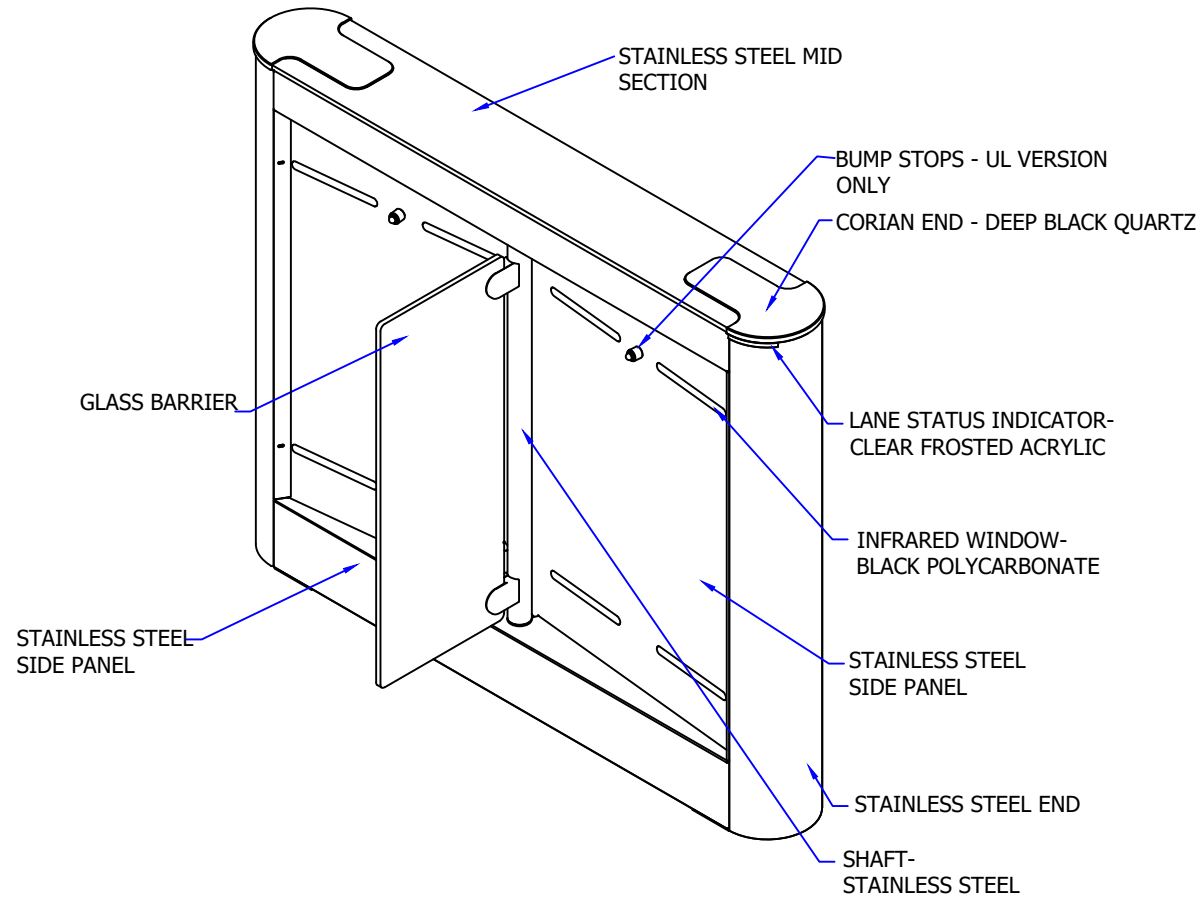
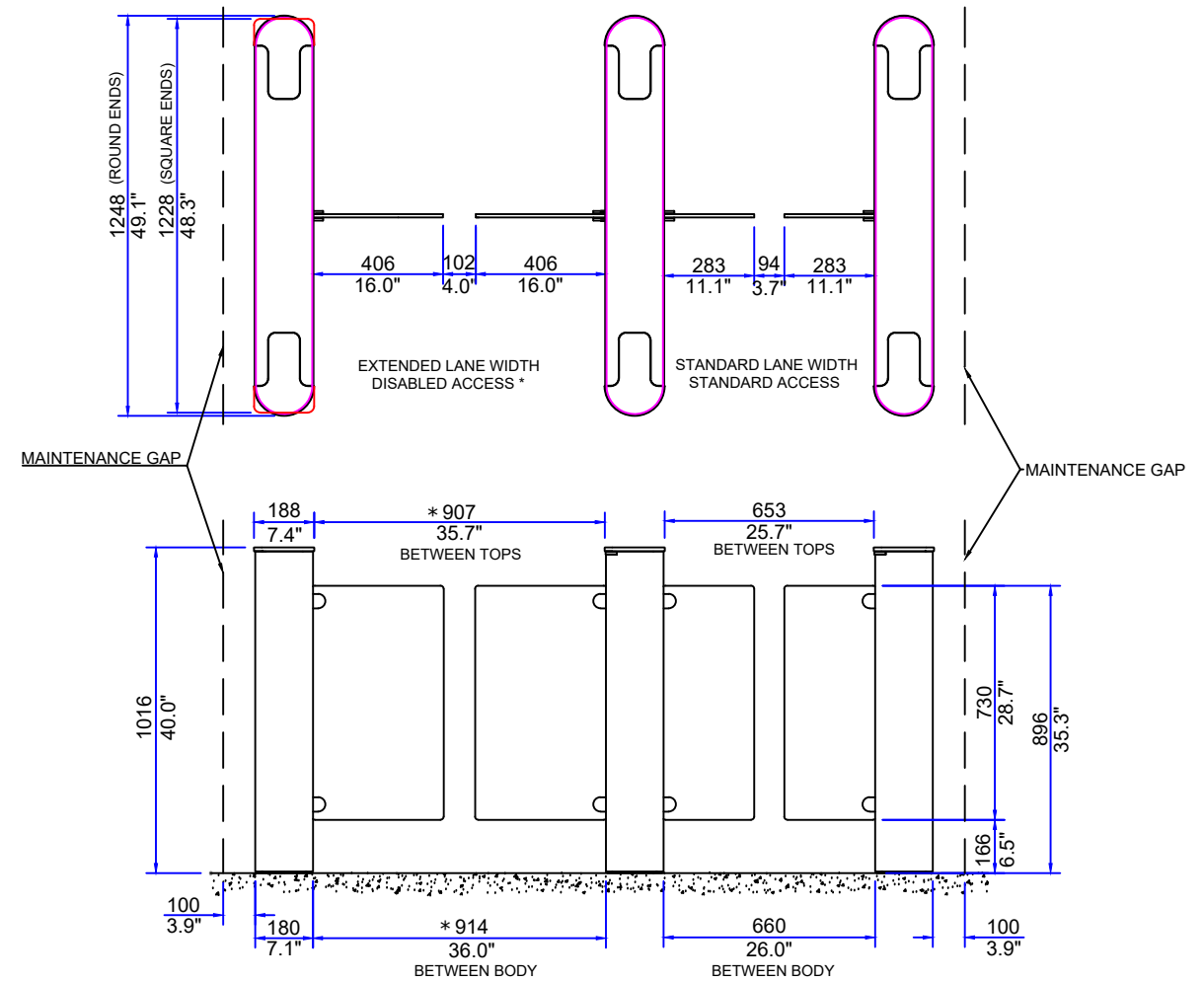


**MATERIAL SPECIFICATION**



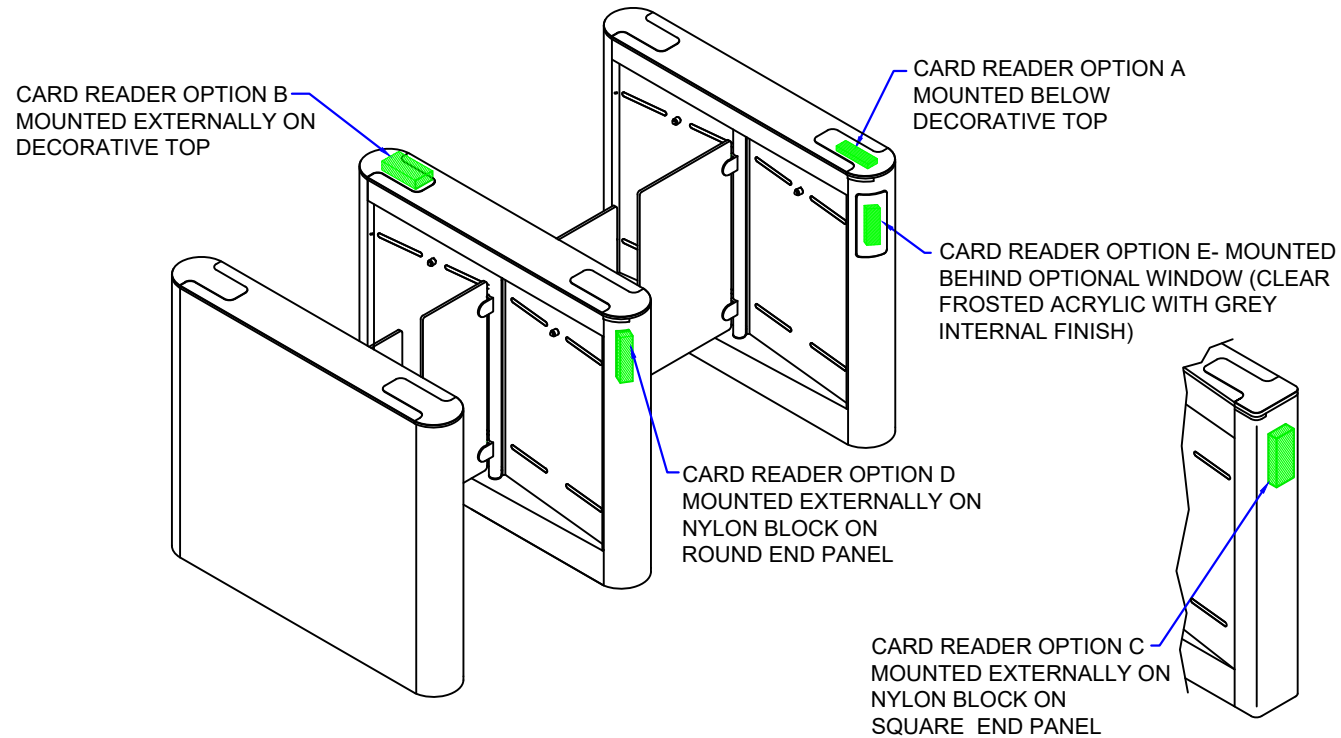
ALL GLASS IS TOUGHENED- EN 12150 / ANSI Z97.1  
 ALL STAINLESS STEEL IS 304, 240 GRIT (SATIN No. 4), HORIZONTAL GRAIN  
 DECORATIVE TOP - STAINLESS STEEL AND CORIAN HAS 4mm OVERHANG

**LANE LAYOUT & GENERAL DIMENSIONS**

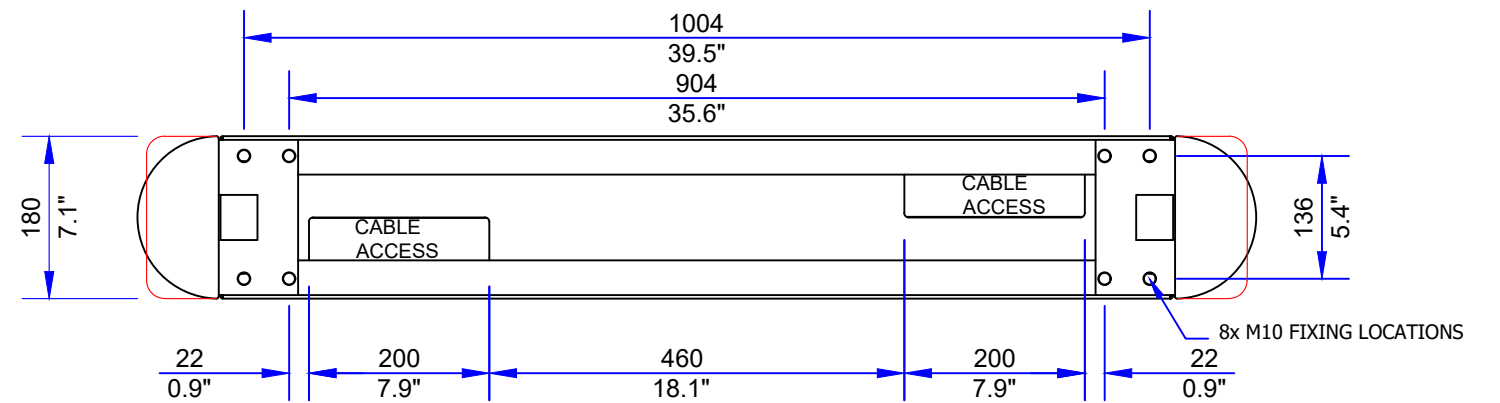


\*SUBJECT TO LOCAL LEGISLATION

**READER MOUNTING OPTIONS**



**PEDESTAL FOOTPRINT**



**PRODUCT: GLASSGATE 250**

**TITLE: GENERAL INFORMATION**

**DRAWING No: GG250\_A7**

FOR SALES INFORMATION ONLY-SUBJECT TO CHANGE  
 ALL DIMENSIONS +/-2mm

This document is the copyright of Integrated Design LTD

