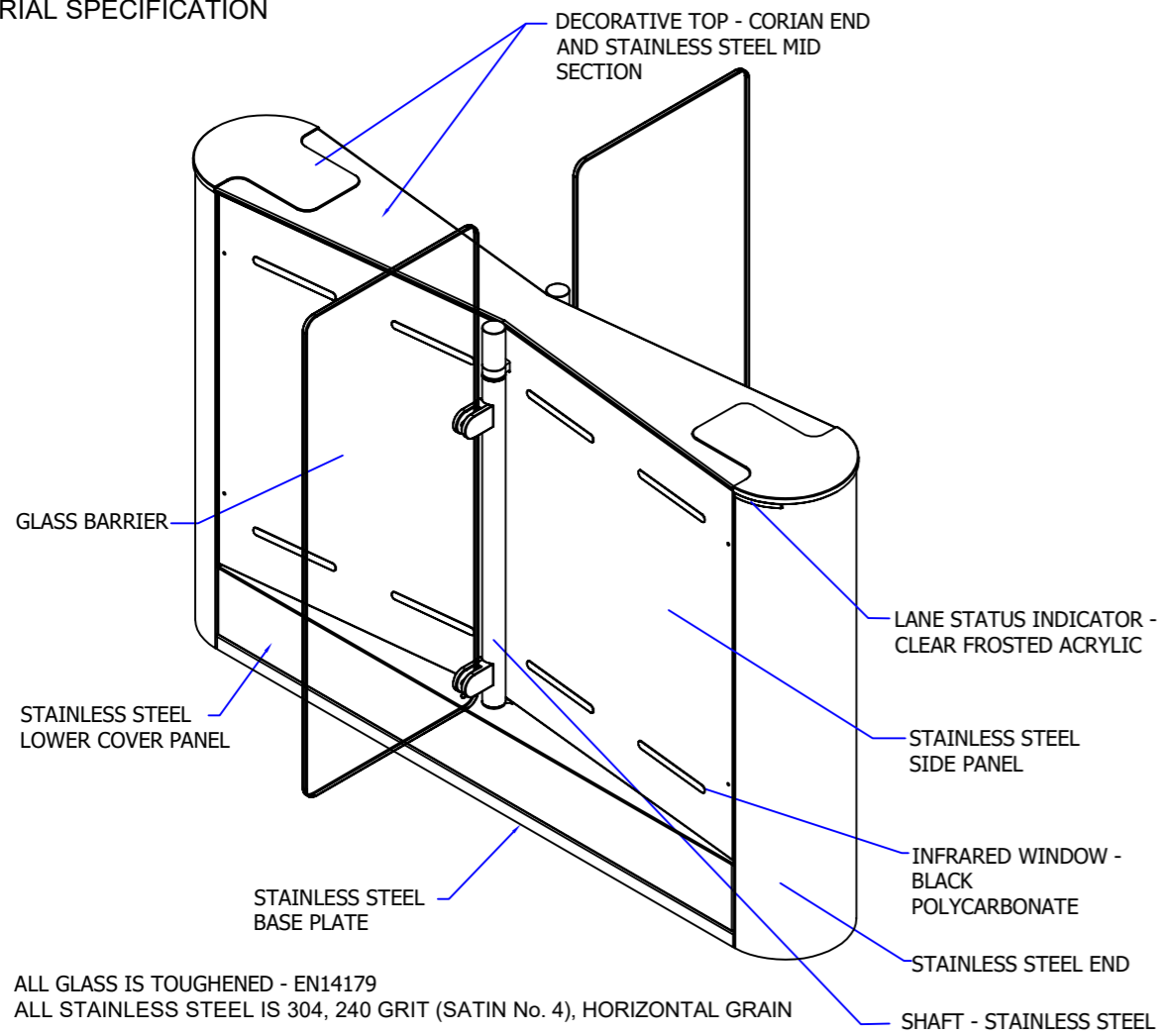
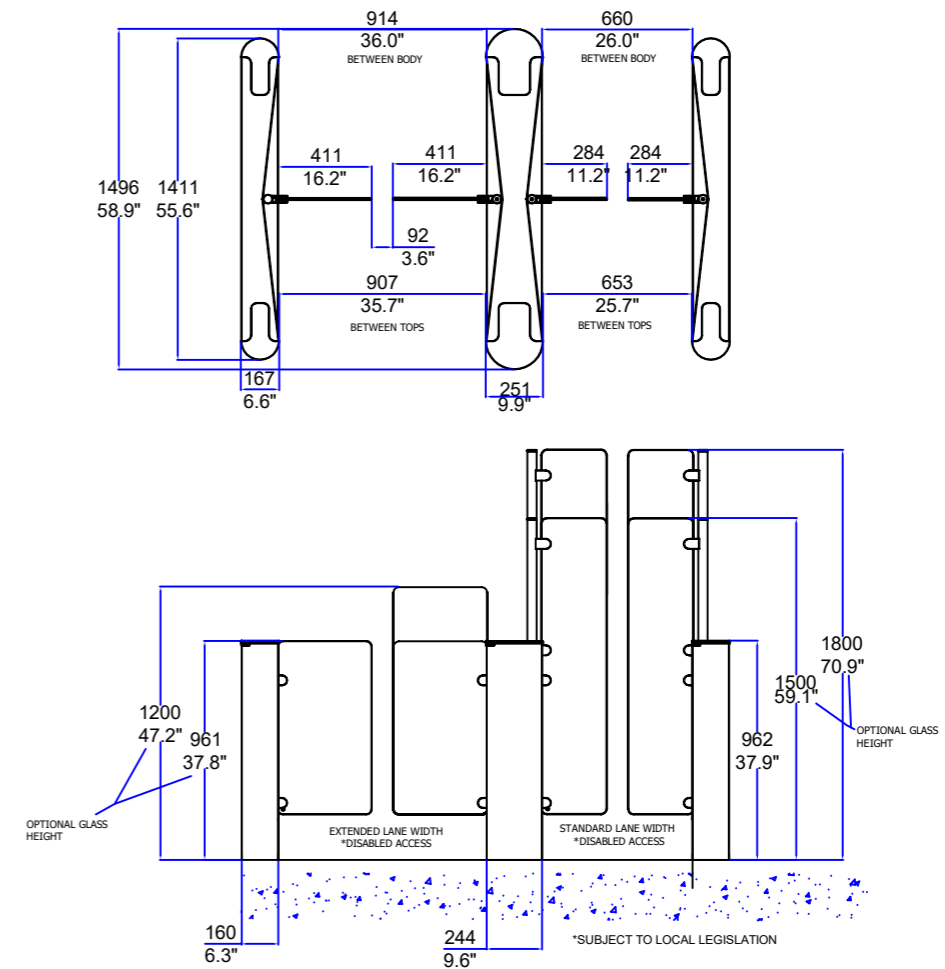


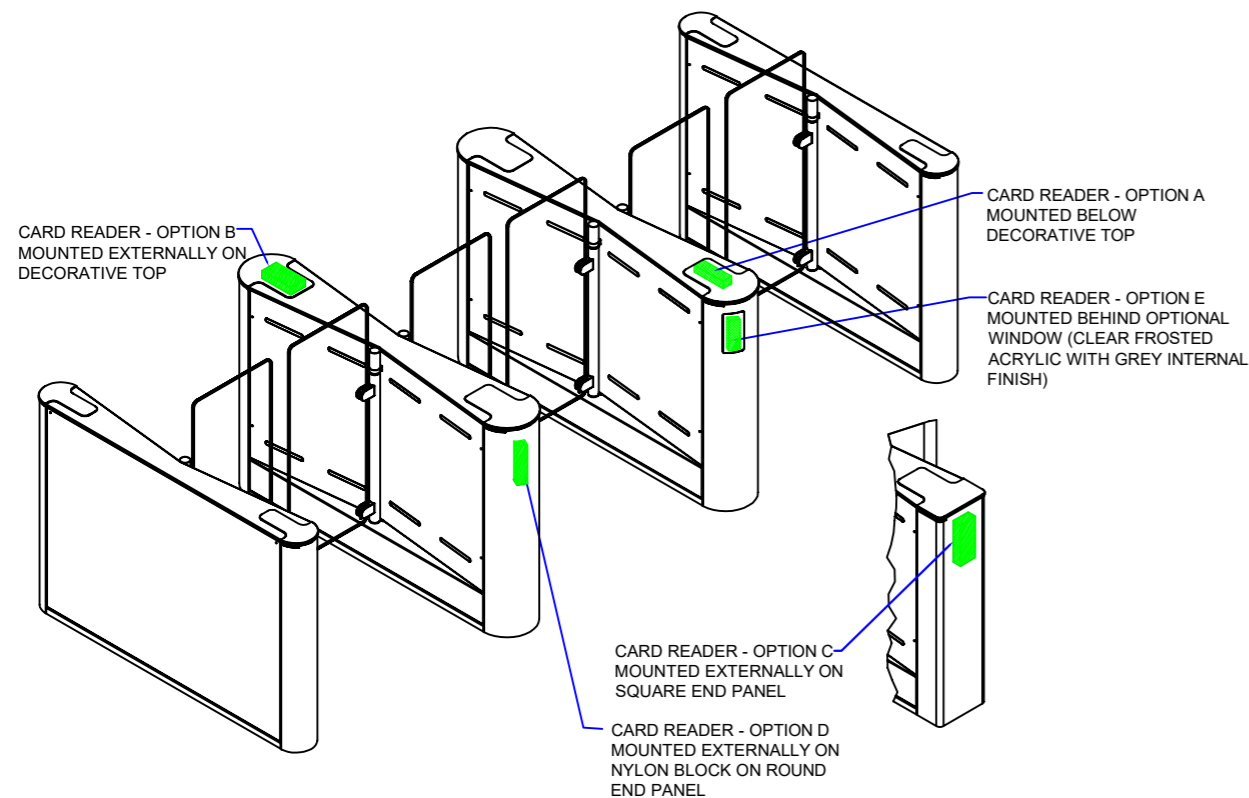
MATERIAL SPECIFICATION



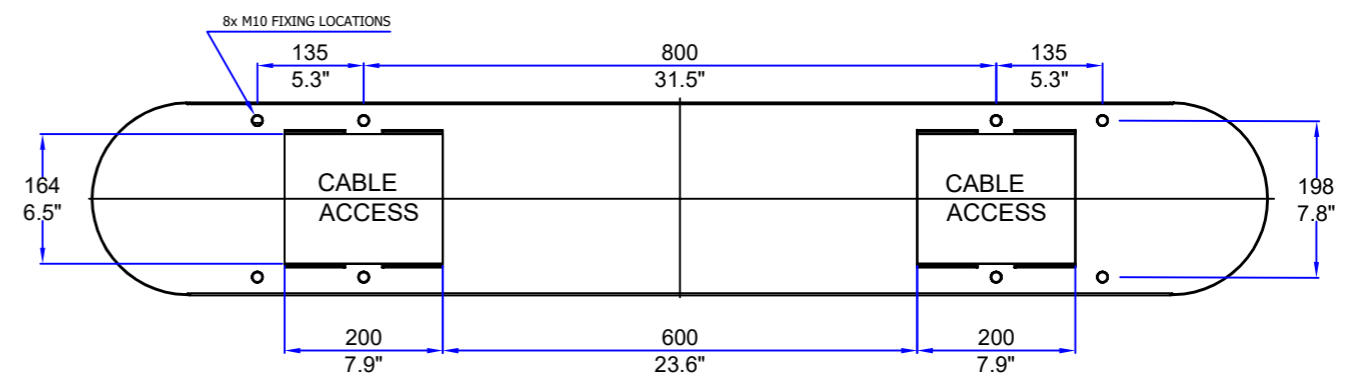
LANE LAYOUT & GENERAL DIMENSIONS



READER MOUNTING OPTIONS



PEDESTAL FOOTPRINT



**PRODUCT: GLASSGATE 200 V3
DUAL INTERLANE**

**TITLE: GENERAL INFORMATION
DRAWING No:GG200V3_DI_A0**

FOR SALES INFORMATION ONLY-SUBJECT TO CHANGE
ALL DIMENSIONS +/-2mm

This document is the copyright of Integrated Design LTD

