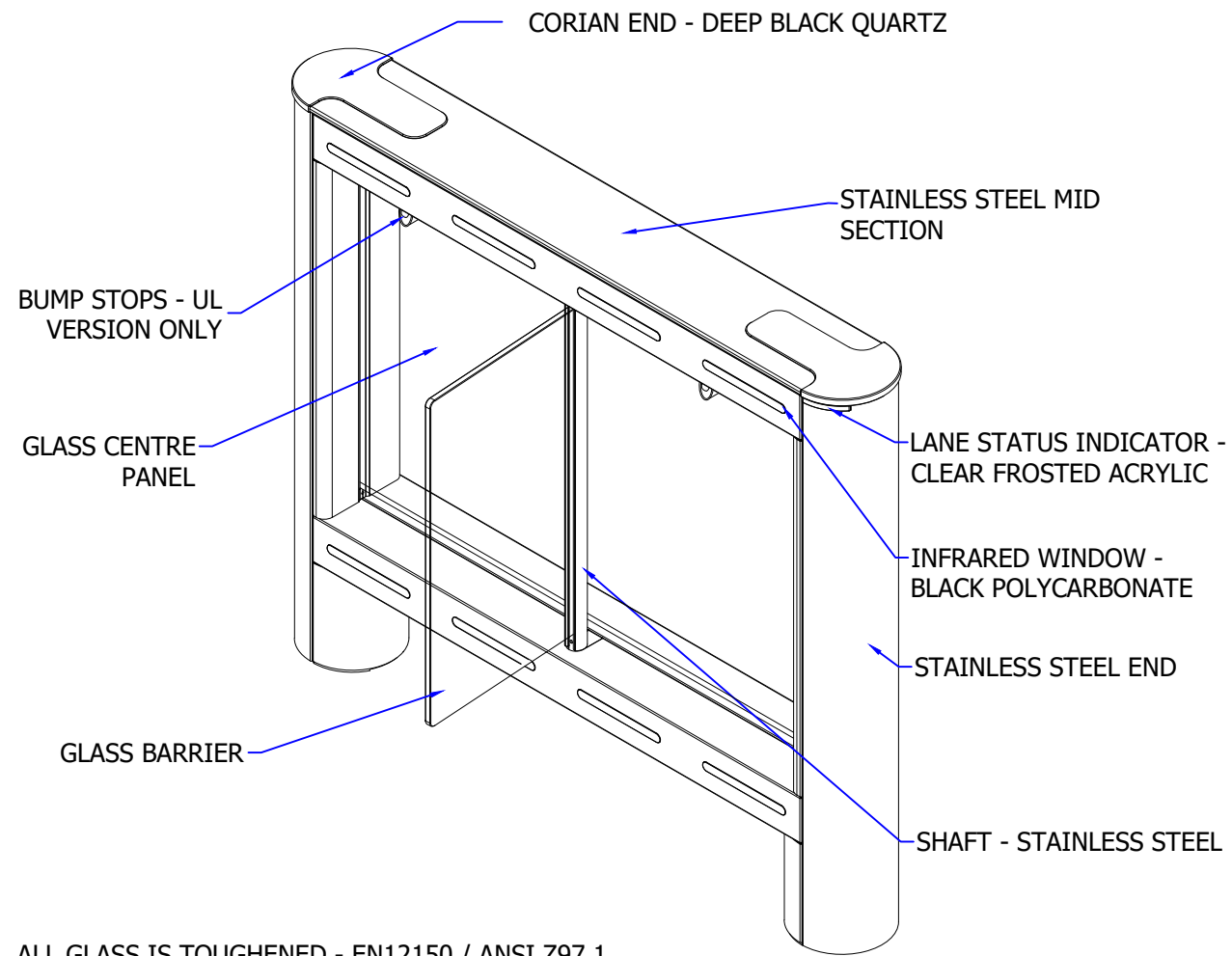
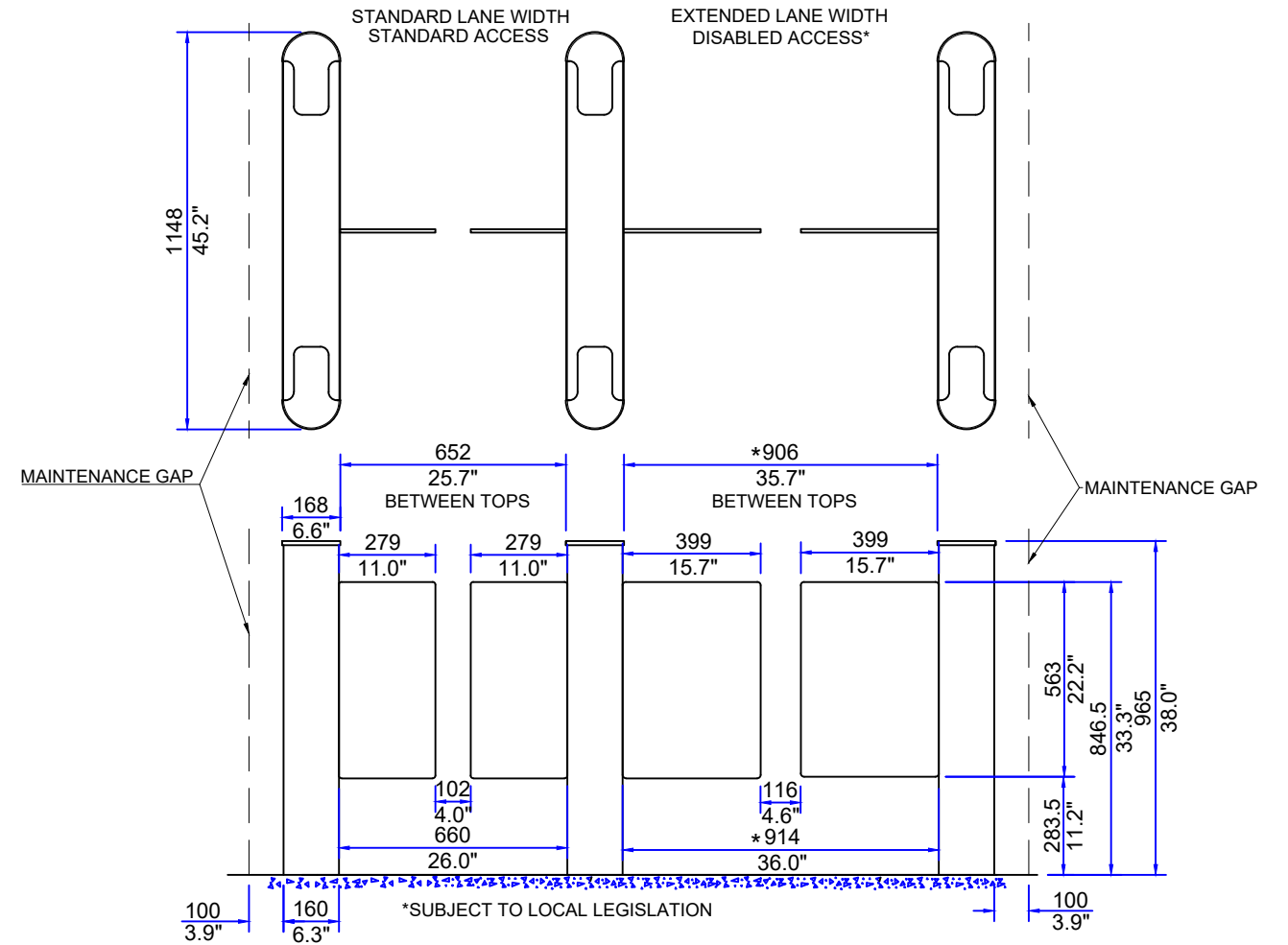


MATERIAL SPECIFICATIONS

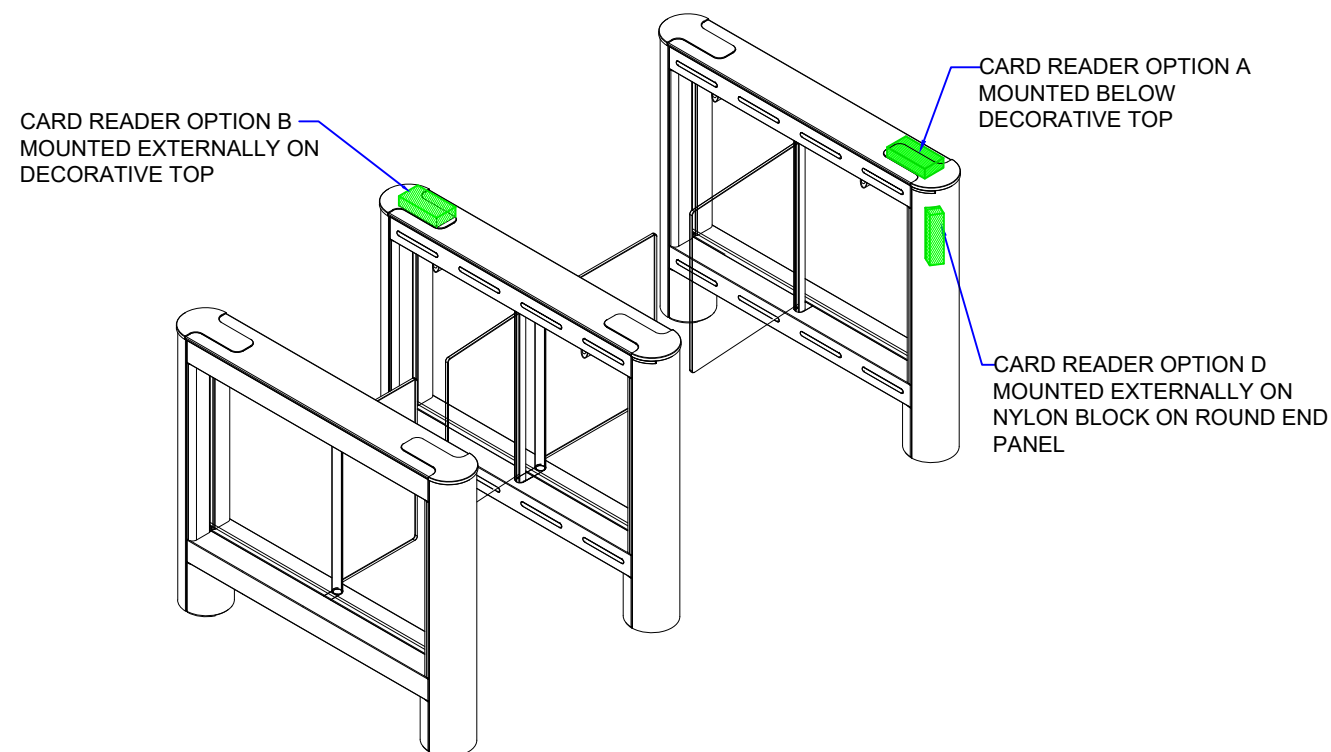


ALL GLASS IS TOUGHENED - EN12150 / ANSI Z97.1
 ALL STAINLESS STEEL IS 304, 240 GRIT (SATIN No. 4), HORIZONTAL GRAIN
 DECORATIVE TOP - STAINLESS STEEL AND CORIAN HAS 4mm OVERHANG

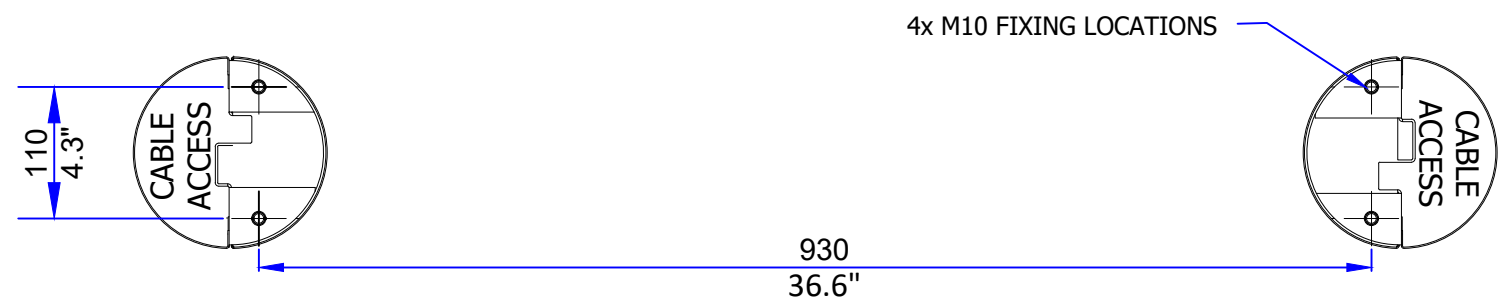
LANE LAYOUT & GENERAL DIMENSIONS



READER MOUNTING OPTIONS



PEDESTAL FOOTPRINT



PRODUCT: GLASSGATE 150

TITLE: GENERAL INFORMATION

DRAWING No: GG150_A10

FOR SALES INFORMATION ONLY-SUBJECT TO CHANGE
 ALL DIMENSIONS +/- 2MM

This document is the copyright of Integrated Design Ltd

