



Plus Model



CL Model



Compact Model

Door Security

Door Detective®

No matter how well-trained your team is, an unauthorized person who knows how to take advantage of people can likely get passed a secured door. Door Detectives remove the human element from the equation, detecting tailgating and reducing the “politeness pressure” that people feel to hold the door for others. They detect people passing in an unauthorized direction, eliminating the chance for someone to take advantage of a door that is closing. Door Detectives are ideal for any access controlled area where an intruder could do more than a few thousand dollars in damage, and are a key to a layered security strategy that covers perimeter, lobby, and internal door security.

The Secure Door Challenge

Few people are comfortable shutting the door on people following behind them, yet employees and tenants are burdened with that decision every day. Door Detective places security enforcement back where it belongs – with your access control system and security personnel. It’s like having a security officer at any door.

Advanced intelligence

Door Detective utilizes a network of beam paths to make intelligent alarm decisions about traffic through an open door. Real-time annunciation aids access control anti-passback policy enforcement – allowing event alarms to be activated upon unauthorized entry, rather than exit.

Operation

Door Detective better protects employees and valuable assets by enhancing the security of any access-controlled door and maximizing the security investment.

When access is granted, one person can pass through the doorway in the approved direction without alarm. Door Detective monitors how many people pass and in which direction for each valid authorization, and sounds an alarm if there is a violation.

An optional secondary relay can also activate subsequent actions such as triggering CCTV or locking doors. Door Detective should be considered for any interior area where an intruder could slip through unnoticed.

User-friendly and safe

Door Detective adds security, not hassle:

- Employees and authorized guests pass through Door Detective enclosures with speed and confidence
- Authorization enables passage in the approved direction, whether the door is open or closed
- Authorization buffering allows the door to remain open between users entering or exiting—creating a seamless user experience



Class leading infrared detection systems

- Visual and audible deterrent
- Detects and deters tailgaters in very close proximity



Accurately assesses traffic through the door

- Provides instant feedback of traffic flow and incidents
- Differentiates body mass from smaller objects



Quick and safe operation

- High processing speed reduces traffic build-up
- Quick user acceptance



Inspired, elegant design

- Seamlessly interacts to secure an open door
- Helps provide secure and welcome entry



Quality build lowers whole life costs

- Online diagnostics and support packages
- Fewer failures mean lower repair costs

COMPACT	CL	PLUS
---------	----	------

Applications

Common applications include: R&D laboratories, casinos, fitness centers, office buildings (data centers, records storage, other restricted areas), and airports (employee areas, cargo and baggage areas).

Visitor management

Door Detectives features a visitor management input. When activated by security personnel this allows an individual or group to pass through the doorway, after which the system returns to its secure state.

Disabled access

Door Detective does not obstruct the doorway, insuring compliance with ADA and most international standards.

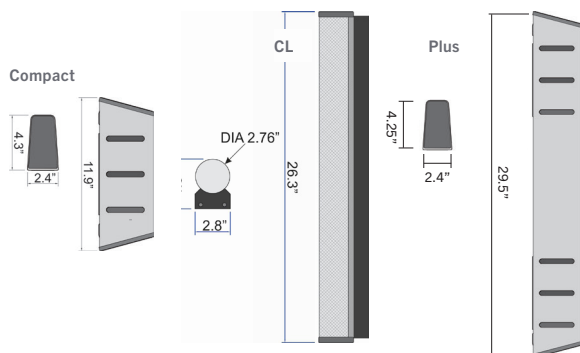
DOOR DETECTIVE MODEL COMPARISON

	CL	Compact	Plus
Size (H x W, in.)	26.3 x 2.8	11.9 x 2.4	29.5c x 2.42.4
Materials	Stainless steel, ABS plastic end caps	Stainless steel, ABS plastic end caps	Stainless steel, ABS plastic end caps
Visual status indicators	Yes	Yes	Yes
Anti-crawl	Standard	No	Standard
TX/RX connections	Cat 5	Cat 5	Cat 5
POE	No	No	Yes
IP Connect	No	No	Yes

DETAILS

Door Detective dimensions

Please see the Door Detective Drawing Packs for additional details.



TECHNICAL SPECIFICATIONS

CL dimensions	Compact dimensions (Head unit)	Plus dimensions
<ul style="list-style-type: none"> Height: 26.2" (665 mm) Width: 2.8" (71 mm) Length: 4.0" (101 mm) Diameter of tube: 2.76" (70 mm) 	<ul style="list-style-type: none"> Height: 11.9" (302 mm) Width: 2.4" (61 mm) Depth: 4.3" (109 mm) 	<ul style="list-style-type: none"> Height: 29.5" (750 mm) Width: 2.4" (61 mm) Depth: 4.25" (108 mm)
<p>CPU</p> <ul style="list-style-type: none"> Height: 7.09" (180 mm) Width: 2.36" (60 mm) Depth: 5.12" (130 mm) <p>Distance between units</p> <p>CL / Compact models</p> <ul style="list-style-type: none"> 88.6" (2250 mm) recommended for single door 98.4" (2500 mm) max <p>Plus model</p> <ul style="list-style-type: none"> 82.68" (2100 mm) max 	<p>Remote controls</p> <p>CL model</p> <ul style="list-style-type: none"> Fastlane® Remote Control <p>Compact model</p> <ul style="list-style-type: none"> Fastlane® Remote Control Fastlane® Touch-screen <p>Plus model</p> <ul style="list-style-type: none"> Fastlane® Remote Control Fastlane® Touch-screen Fastlane® Multilane Control 	<p>Outputs to Access System</p> <ul style="list-style-type: none"> Alarm (normally closed) Lock output 12 V @ 0.5 A nom (1 A max) Entry door monitor (normally open) Exit door monitor (normally open) Door contact mimic: (normally open) (CL only) Auxiliary fault alarm (normally closed) (Compact only)
<p>Inputs from Access Control</p> <ul style="list-style-type: none"> Entry request (normally open closing for 1 second) Exit request (normally open closing for 1 second) Door contact (normally closed, volt free) Two auxiliary inputs (volt free) 	<p>Power requirements</p> <ul style="list-style-type: none"> Input: 100 to 240 V AC @ 0.4 A Output: 12 V DC @ 1.25 A max <p>Compact model</p> <ul style="list-style-type: none"> Needs external processor/power supply box 	<p>Optics</p> <ul style="list-style-type: none"> Pulsed multi-infrared beams, synchronized for detection Environmentally hardened to avoid sunlight interference
<p>Visual Status Indicators</p> <p>CL model</p> <ul style="list-style-type: none"> Tri-Color LED status indicator <p>Compact / Plus models</p> <ul style="list-style-type: none"> Multi-color LEDs for status and fault finding 	<p>Operating modes</p> <ul style="list-style-type: none"> Card In/Free Exit Free Entry/Card Out Free Entry/No Exit Free Exit/No Entry Card In/Card Out 	<p>Audible indicators</p> <p>CL model</p> <ul style="list-style-type: none"> Short Single Tone: Card Authorization Longer Single Tone: Alarm Condition <p>Compact / Plus models</p> <ul style="list-style-type: none"> Multiple single-tone sounders for status and alarms

* Due to continuous improvements, specifications are subject to change without prior notice.