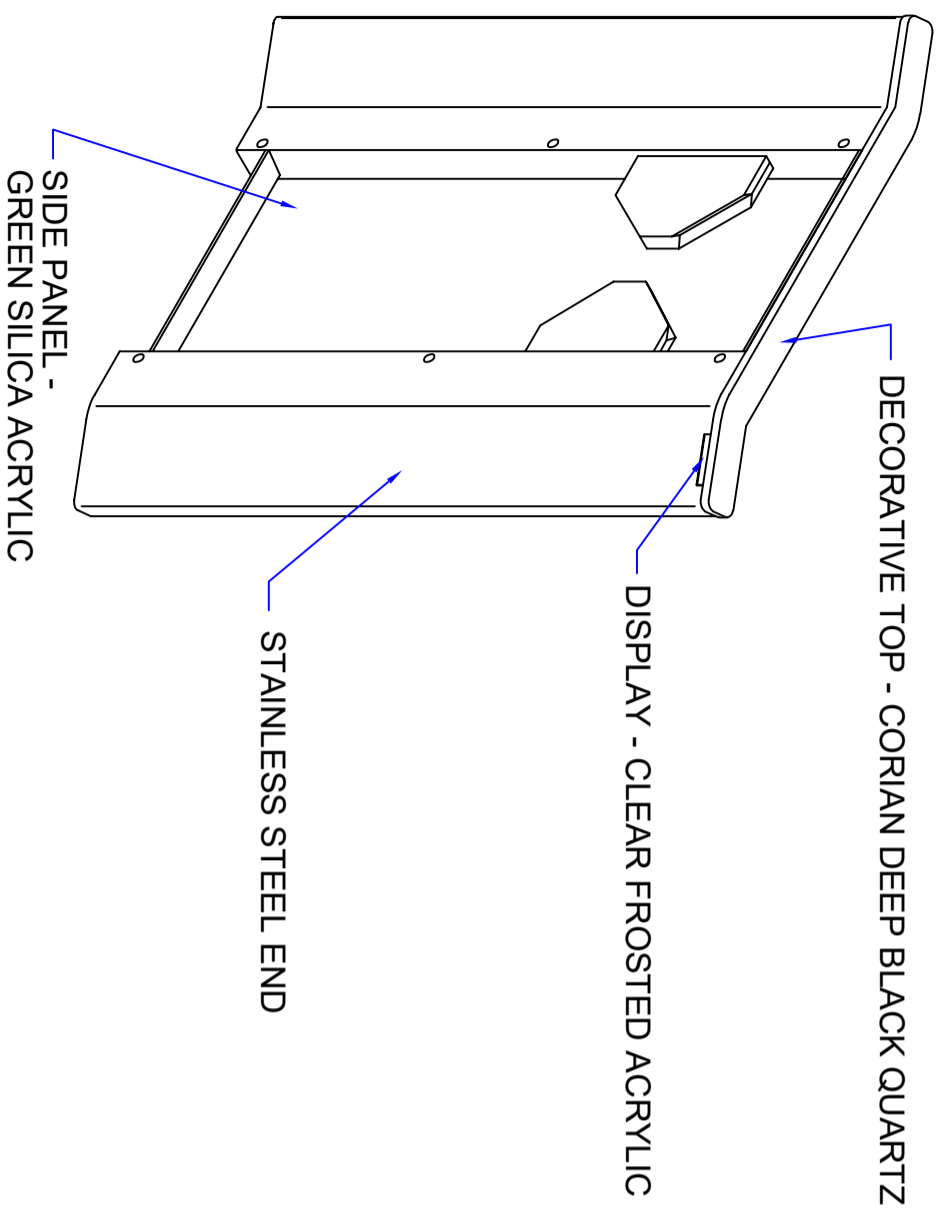
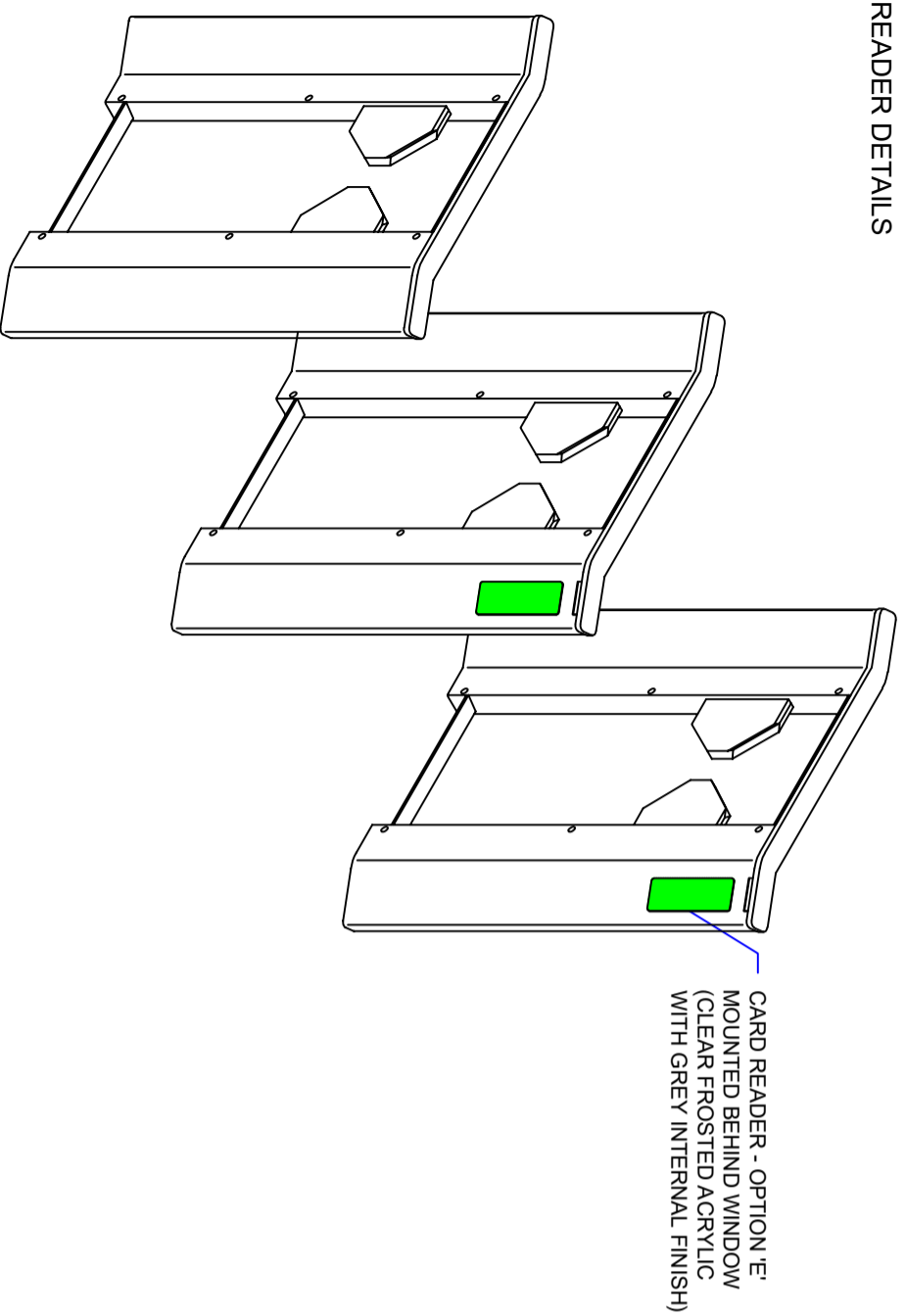


MATERIAL SPECIFICATIONS

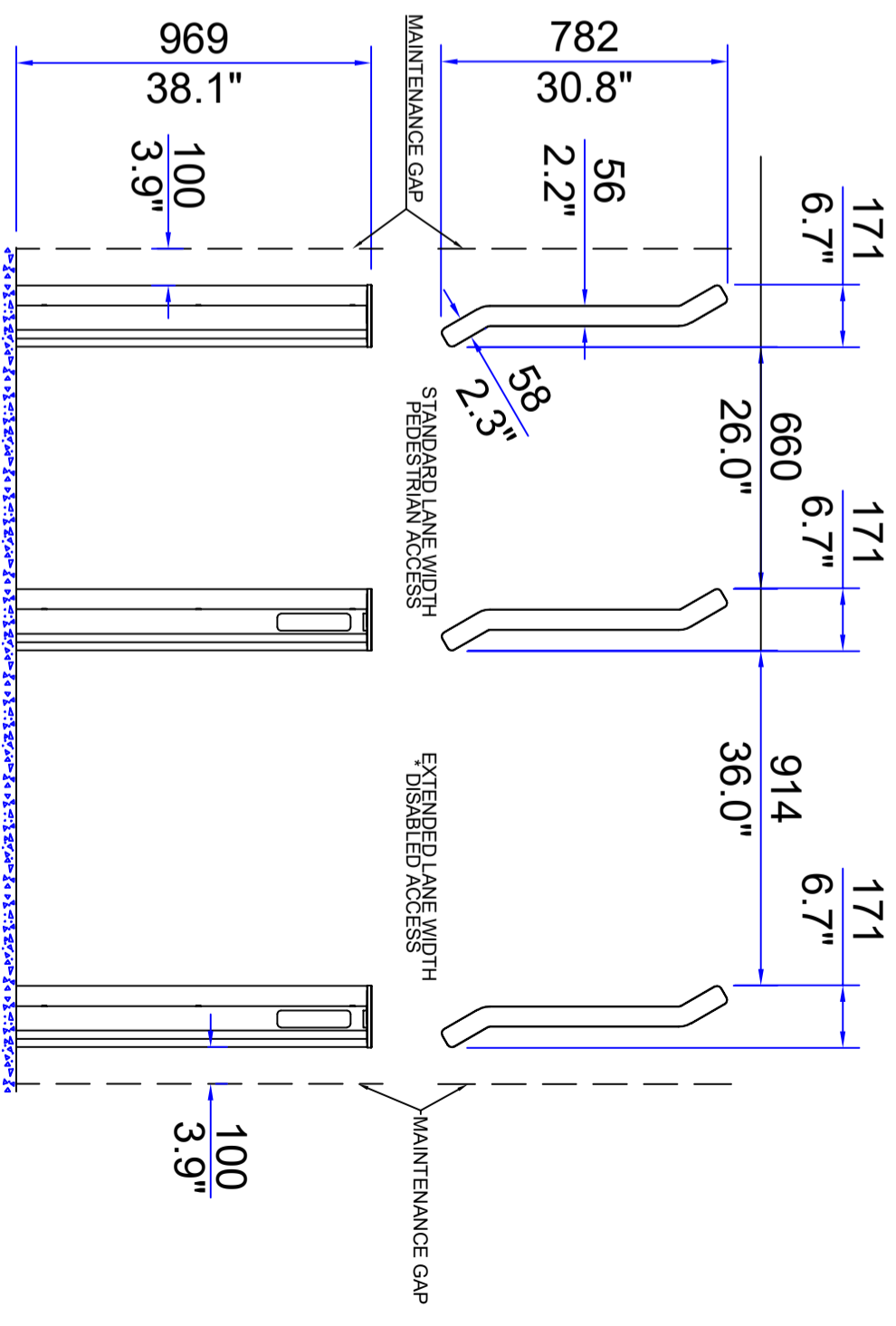


ALL STAINLESS STEEL IS 304, 240 GRIT (SATIN No. 4), HORIZONTAL GRAIN

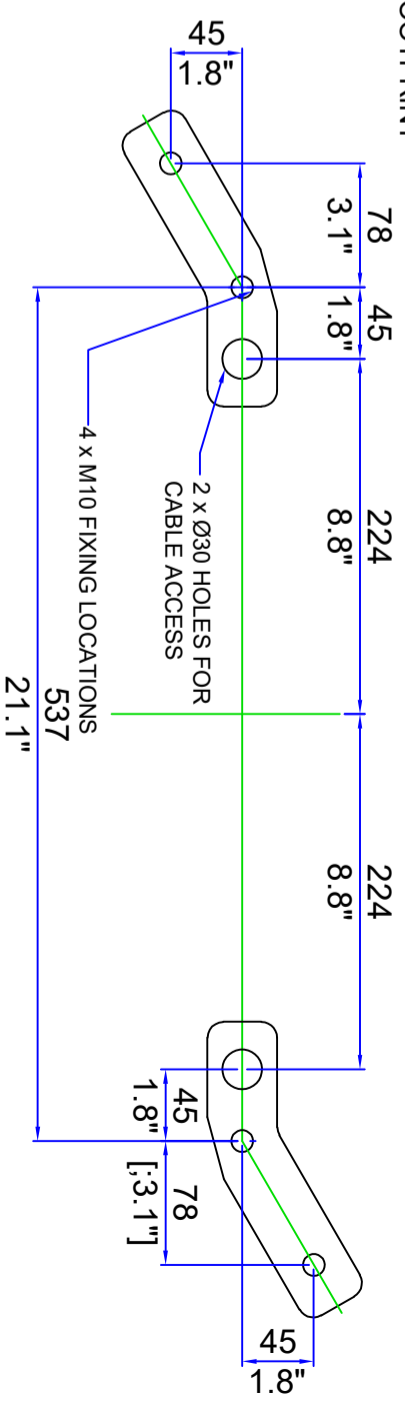
READER DETAILS



LANE LAYOUT & GENERAL DIMENSIONS



PEDESTAL FOOTPRINT



PRODUCT: CLEARSTYLE 400

TITLE: GENERAL INFORMATION

DRAWING No: CS400_A5

FOR SALES INFORMATION ONLY - SUBJECT TO CHANGE
ALL DIMENSIONS +/-2mm

This document is the copyright of Integrated Design LTD



fastlane