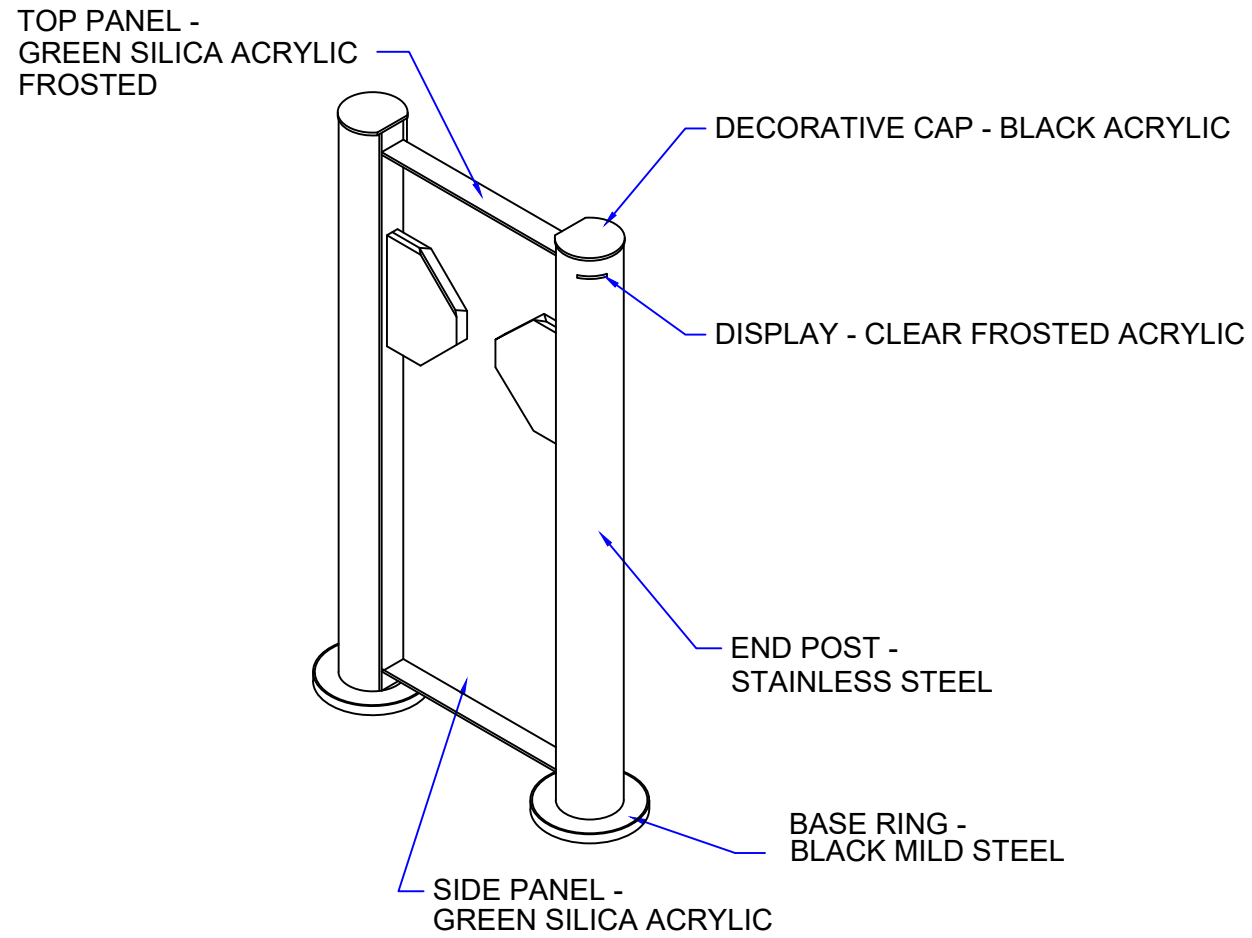
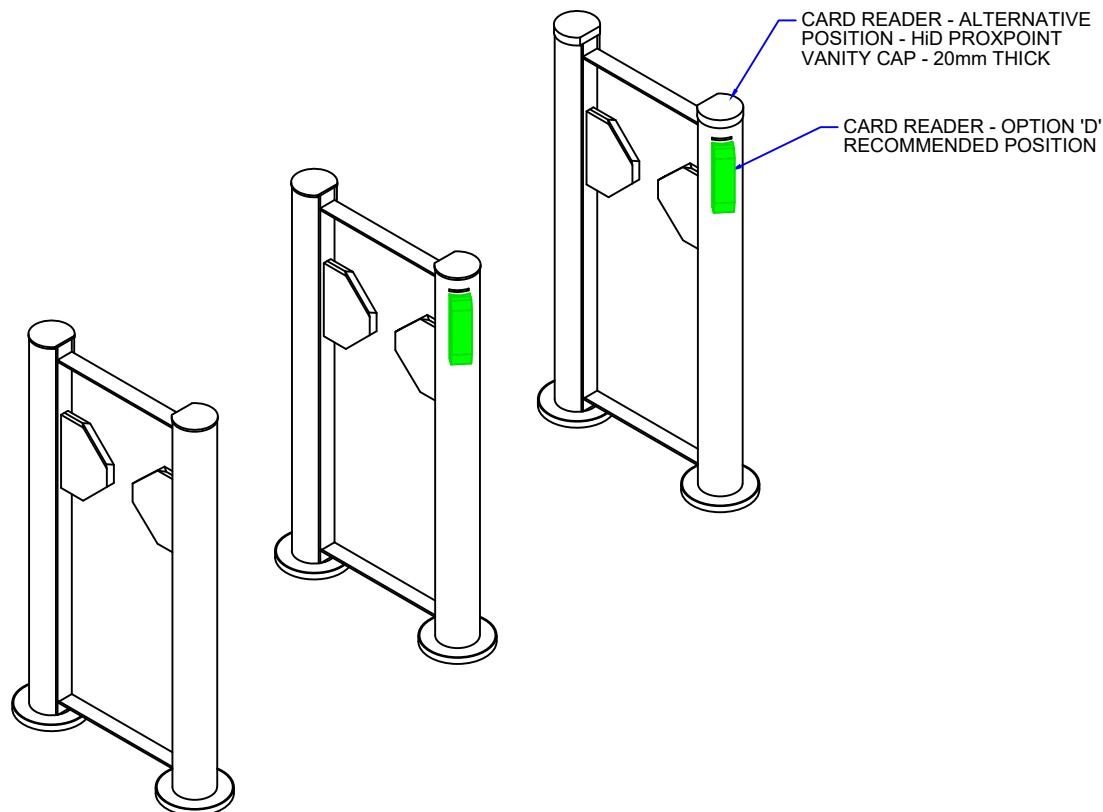


MATERIAL SPECIFICATIONS

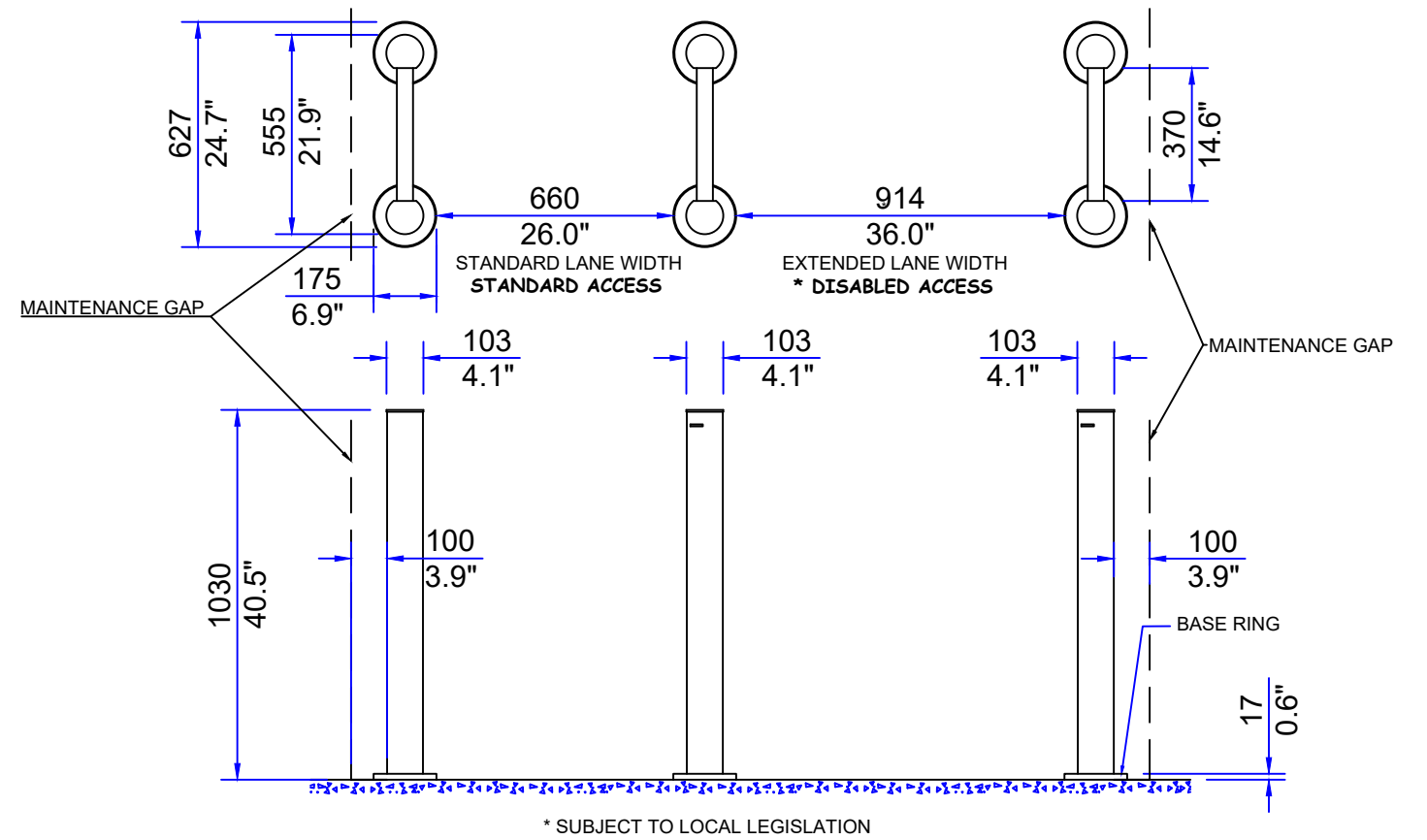


ALL STAINLESS STEEL IS 304, 240 GRIT (SATIN No. 4), HORIZONTAL GRAIN

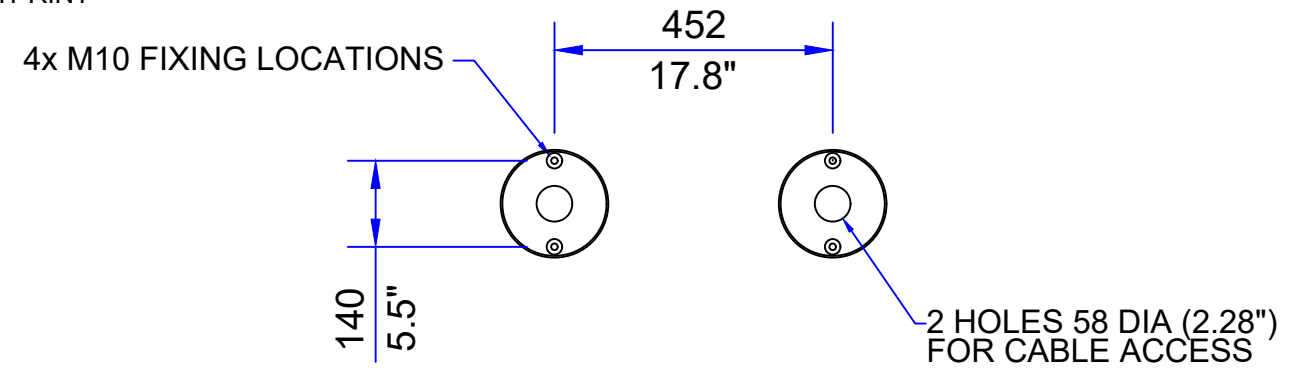
READER MOUNTING OPTIONS



LANE LAYOUT & GENERAL DIMENSIONS



PEDESTAL FOOTPRINT



PRODUCT: CLEARSTYLE 200

TITLE: GENERAL INFORMATION

DRAWING No: CS200_A3

FOR SALES INFORMATION ONLY- SUBJECT TO CHANGE
ALL DIMENSIONS +/-2mm

This document is the copyright of Integrated Design LTD

