



Barrier-free turnstiles

# Fastlane<sup>®</sup> Clearstyle 400



## Smooth Exit Secure Entrance

Fastlane Clearstyle 400 is the world's most elegant optical turnstile. It combines advanced optical technology with the architect-inspired, minimalist appeal of a transparent pedestal to detect and alarm unauthorized access. With Fastlane, security has never looked so inviting.

### Advanced intelligence

Fastlane turnstiles have an advanced architecture based on distributed intelligence. An infrared beam matrix engineered with multiple microprocessors monitors pedestrian movement with pinpoint accuracy, detecting tailgaters as close as 6" apart. Inherently more secure, this technology also enables the fastest entry and minimizes false alarms.

### Operation

Clearstyle is designed to operate in a normally secure mode, and:

- Allows access only after system approval
- Automatically sounds a local alarm if someone enters without authorization
- Has a secondary relay that can trigger CCTV, lock doors, or control elevators

### User-friendly and safe

The absence of a physical barrier ensures fast throughput and unrestricted movement for all personnel, with safe disabled access and free emergency egress in the event of a fire alarm or power outage.

### Design

Clearstyle has redefined the optical; turnstile category blurring the line between turnstile and showpiece. Architects played a key role in the patented design of Clearstyle's sleek, acrylic side panels and plated steel ends, which enhance the rich fabric of any well-designed modern lobby.



HIGH SECURITY

Advanced technology for superior entry control

- Detects and deters tailgaters in very close proximity
- Limited beams to discriminate objects



PINPOINT ACCURACY

Intelligence virtually eliminates false alarms

- Differentiates body mass from smaller objects
- Provides instant feedback of traffic flow and incidents



UNSURPASSED THROUGHPUT

Greater return on investment

- High processing speed reduces traffic build-up
- No barrier to impede movement



SUPERIOR DESIGN

Refined, slim designs accentuate lobby

- Barrier free for a clean unobstructed look
- Slim pedestal design minimizing footprint



FIELD-PROVEN RELIABILITY

Uptime and long lifetime improve bottom line

- Fewer failures mean lower repair costs
- Minimizes need for extra guards

## Materials

- Tops: Corian® Deep Black Quartz
- Side panels: glass-like Perspex® Green Silica
- Ends: 304 stainless steel

A variety of premium and custom options are available to ensure Fastlane complements building aesthetics.

## Visitor management

Fastlane features an optional visitor management input. When activated, unlimited access is allowed for a designated period, after which the system returns to its secure state.

## Disabled access

Fastlane is compliant with ADA as well as most international standards. A wider lane using the same slim pedestals allows for wheelchair or cart access. Audio/Visual feedback is standard.

## Options/Accessories

- Fastlane Technical Services
- Fastlane Floor Protector
- Fastlane Infill System
- Fastlane Remote Control
- FastScan™ Tenant/Visitor System
- Multiple Reader Mounting Options

Please see Fastlane accessories data sheets for additional details.

### FASTLANE CLEARSTYLE 400 TECHNICAL SPECIFICATIONS

#### Pedestal dimensions (standard and ADA)

- Height: 38.2" (970 mm)
- Width: 6.6" (168 mm)
- Length: 30.7" (780 mm)

#### Optics

- Pulsed multi-infrared beam array, synchronized for detection
- Environmentally hardened to avoid sunlight interference

#### Inputs from Access Control

- Require voltage-free switching (current sense 1 mA typical)
- Entry request (normally open closing for 1 second)
- Exit request (normally open closing for 1 second)
- Visitor access in & out (normally open momentary push button)

#### Lane width

- Standard lane: 21.7-36" (550-914 mm)
- ADA lane: 36" (914 mm)

#### Operating modes

- Bidirectional card in/out on demand
- Bidirectional card in/free exit
- Enter only/exit only
- Lane closed

#### Outputs to Access System

- Lane entered (NC)
- Lane exited Exit (NC)
- Alarm (NC)
- Voltage free relay contacts rated 0.5A, 28 V DC for output to system

#### Throughput\*

- 1 person / second (subject to response time of access control system)

#### Power requirements

- Input: 115-230 V AC
- Output: 24 V DC, 0.6 A

#### Flow control and alarm outputs

- Ready for entry (normally closed, normally open, common poles)
- Ready for exit (normally closed, normally open, common poles)
- Remote Alarm (normally open)

#### Audible indicators

- Single tone sounder: card authorization / alarm condition

#### Reliability

- 5,000,000+ cycles\*

#### Certifications (power supply only)

- UL 60950-1, 2nd edition
- CSA C22.2 No. 60950-1-07, 2nd edition

#### Display

- User programmable tri-color graphic display

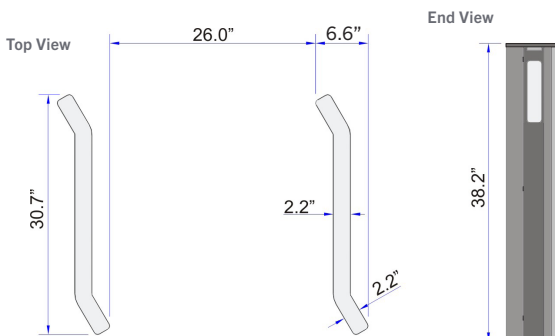
#### Ethernet connection

- RJ45 TCP/IP Port

## DETAILS

### Fastlane Clearstyle 400 dimensions (standard, single turnstile)

Please see the Fastlane Clearstyle 400 Drawing Pack for additional details.



\* Expected time to pass through turnstile.

\* In normal use, 5,000,000 cycles of operation is expected before electromechanical subassemblies may require replacement as part of an approved preventative maintenance program.

\* Due to continuous improvements, specifications are subject to change without prior notice.



www.smartersecurity.com | 800.943.0043

With thousands of systems installed on six continents, Fastlane is a world leader in elegant and intelligent optical turnstiles.

Manufactured by Integrated Design Limited. Fastlane is a registered trademark of IDL, 1995.



©Copyright 2019, Smarter Security. All Rights Reserved. Smarter Security is a registered trademark of Smarter Security, Inc. Fastlane is a registered trademark of Integrated Design, Ltd.