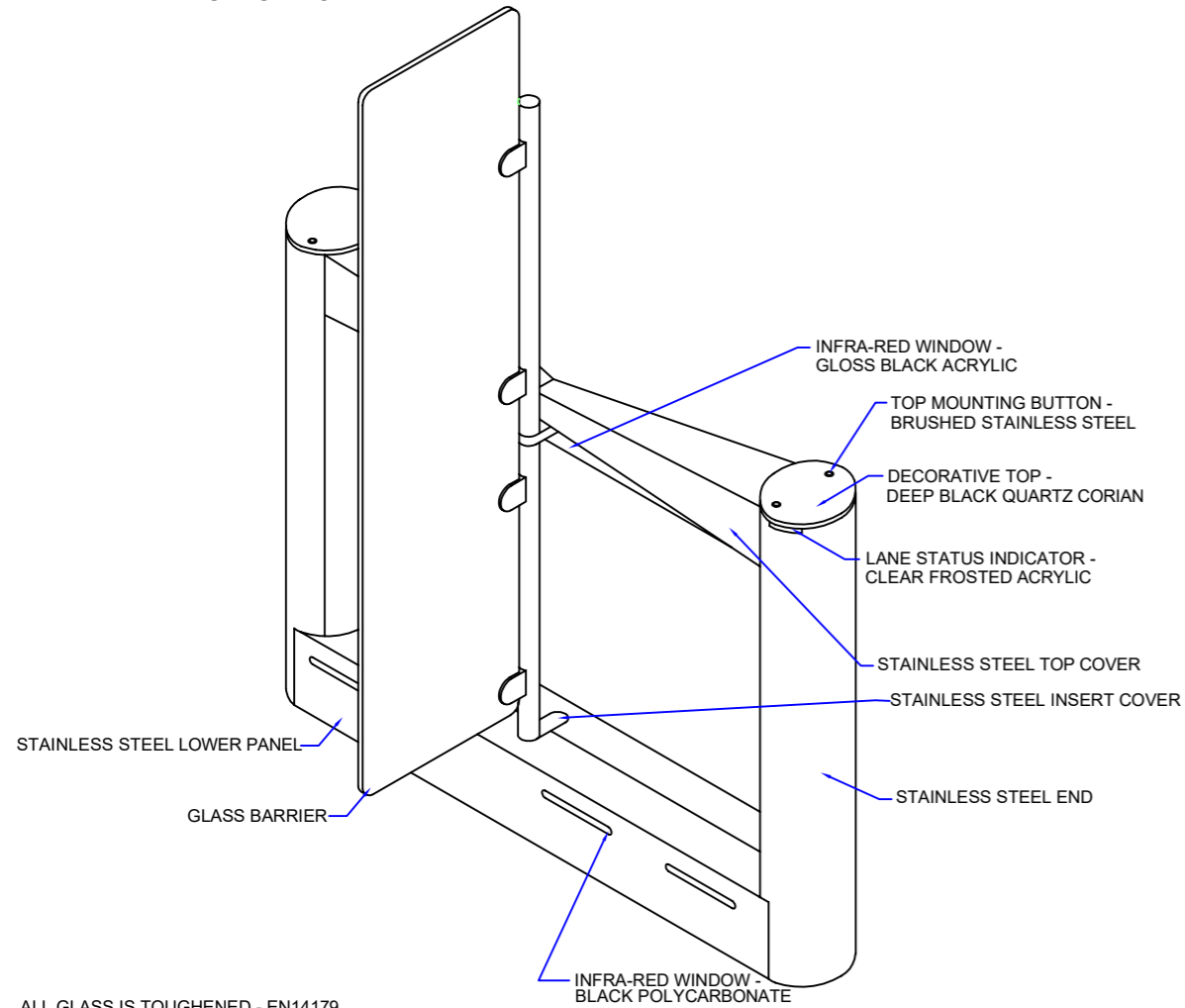
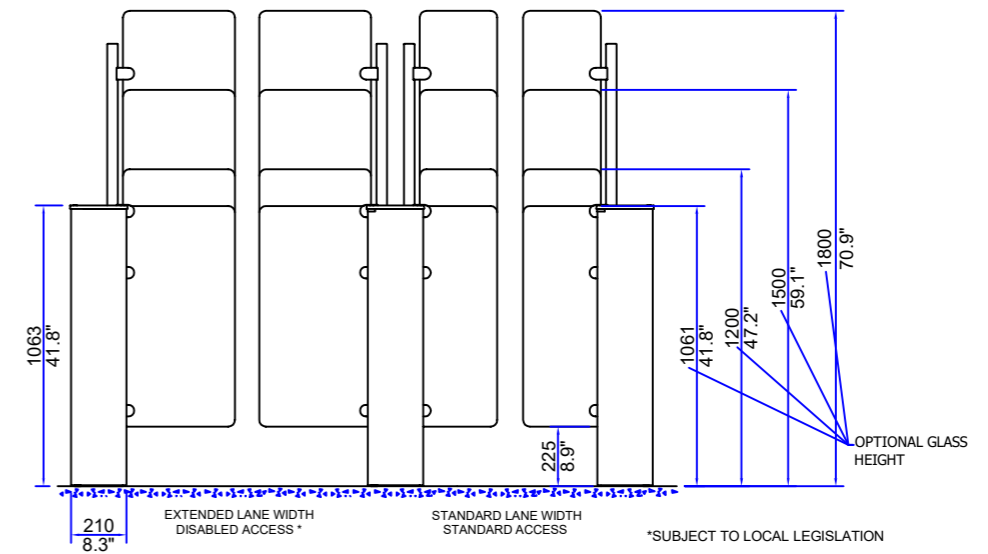
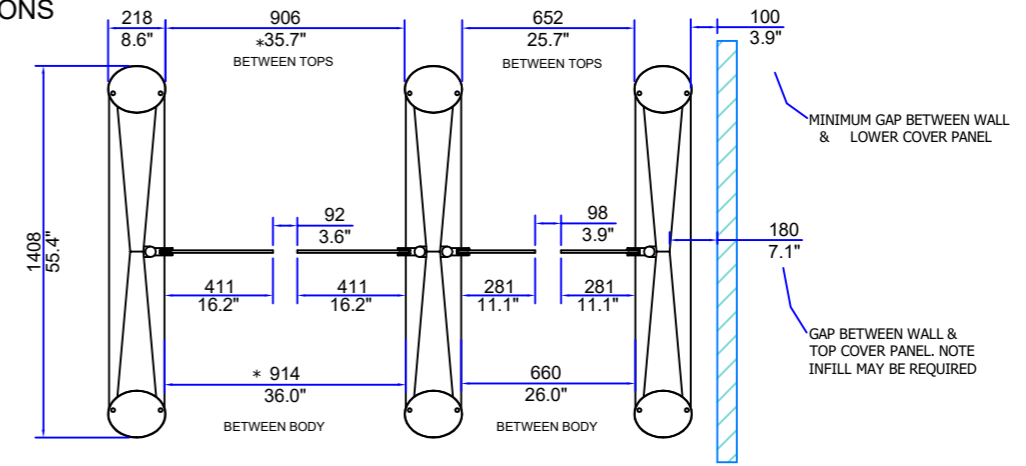


**MATERIAL SPECIFICATIONS**

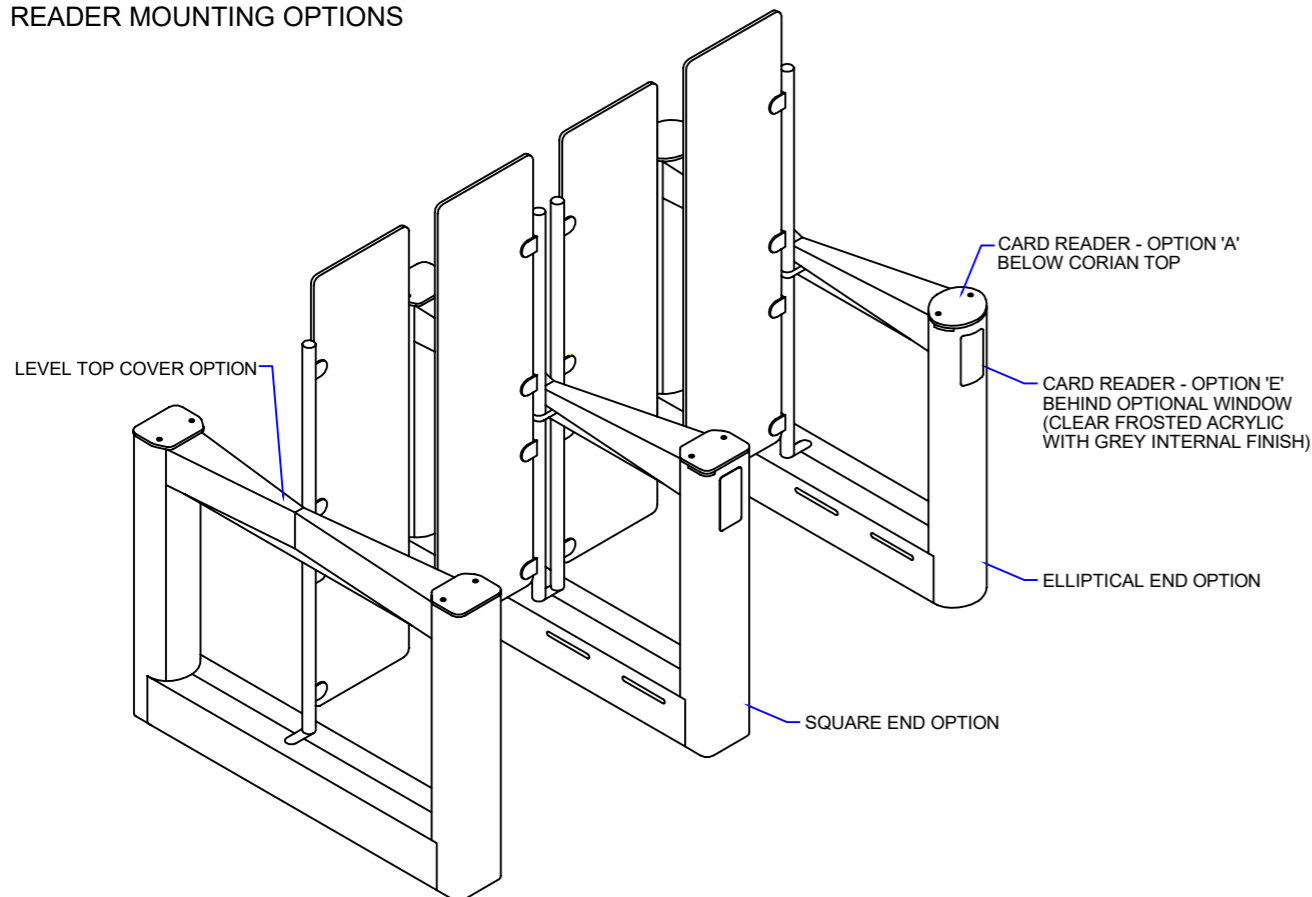


ALL GLASS IS TOUGHENED - EN14179  
 ALL STAINLESS STEEL IS 304, 240 GRIT (SATIN No. 4), HORIZONTAL GRAIN  
 DECORATIVE TOP - STAINLESS STEEL AND CORIAN HAS 4mm OVERHANG

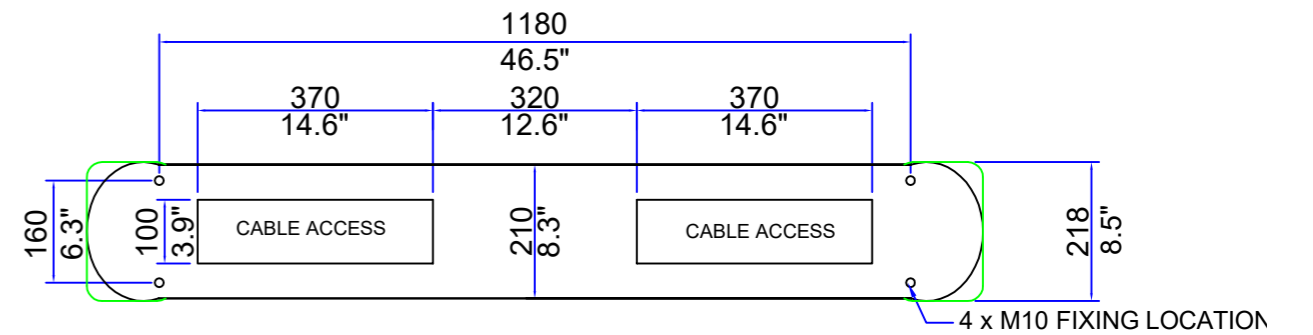
**LANE LAYOUT & GENERAL DIMENSIONS**



**READER MOUNTING OPTIONS**



**PEDESTAL FOOTPRINT**



**PRODUCT: GLASSGATE 400**

**TITLE: GENERAL INFORMATION**

**DRAWING No: GG400\_A6**

FOR SALES INFORMATION ONLY-SUBJECT TO CHANGE  
ALL DIMENSIONS +/-2mm

This document is the copyright of Integrated Design LTD

