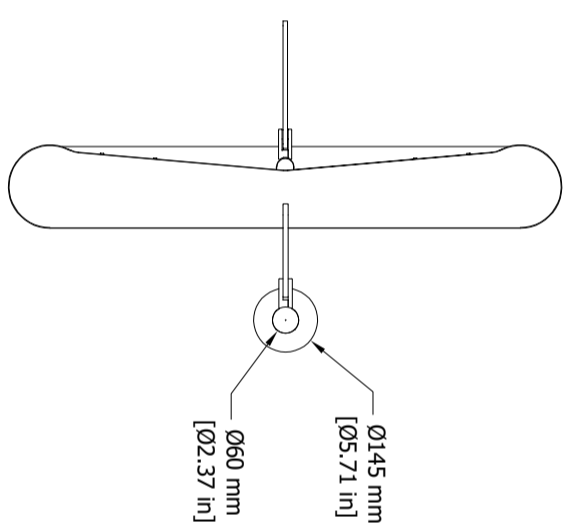
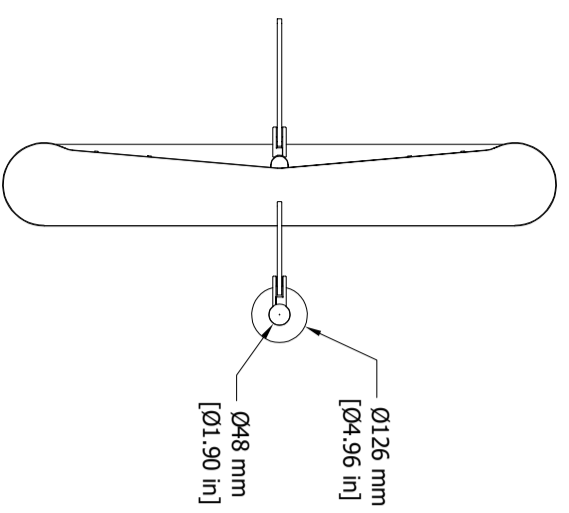
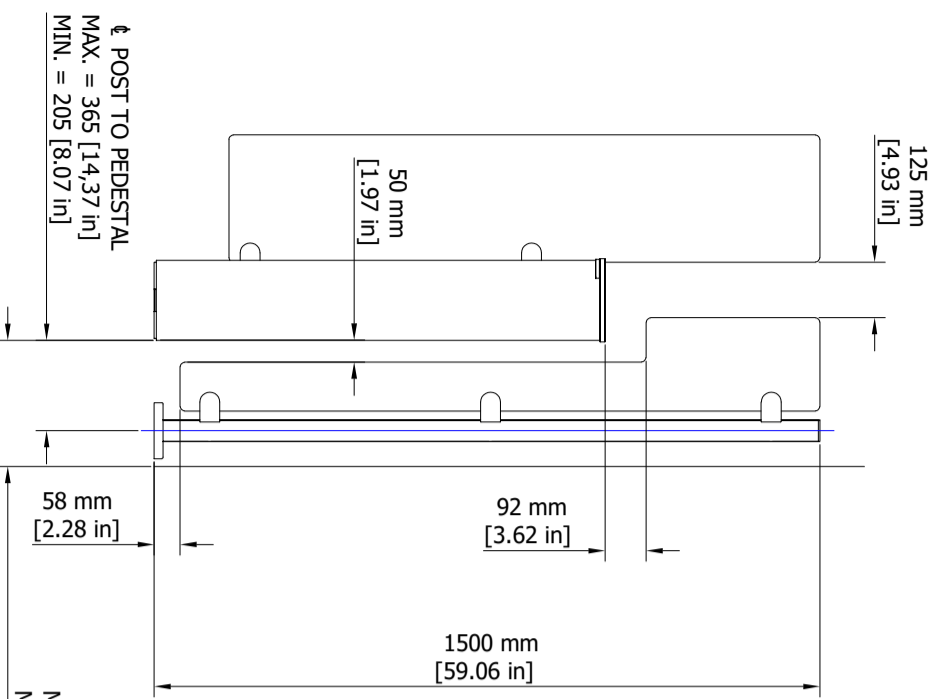
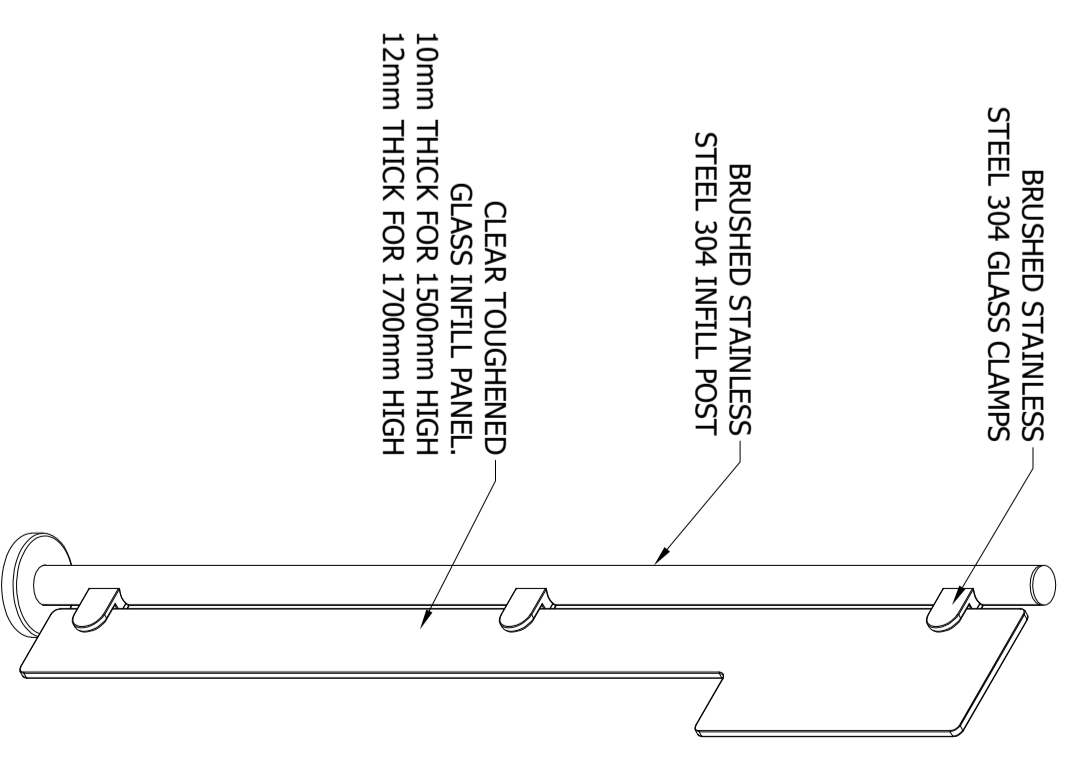


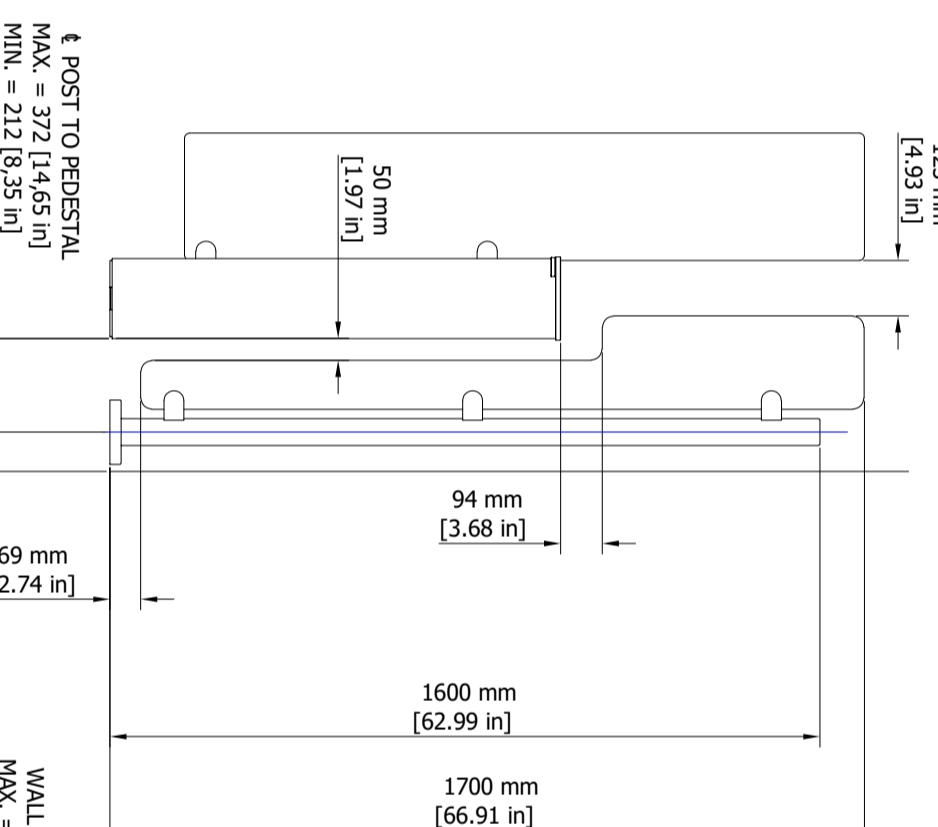
GENERAL DIMENSIONS



GENERAL MATERIAL SPECIFICATIONS

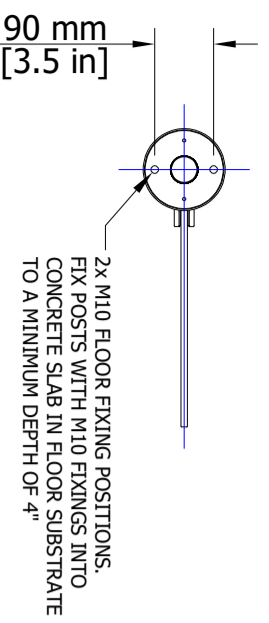


1500 HEIGHT GG250 PLUS HANGING INFILL

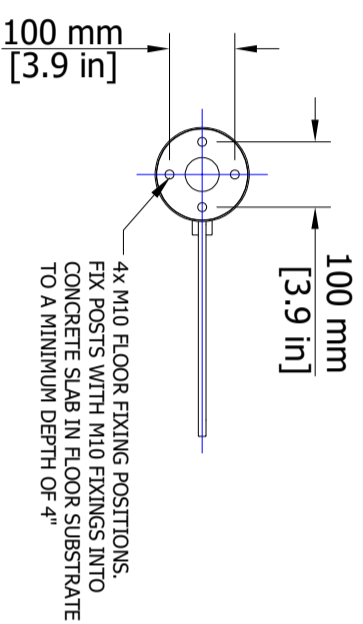


1700 HEIGHT GG250 PLUS HANGING INFILL

FIXING POSITIONS



1500 HEIGHT INFILL



1700 HEIGHT INFILL

PRODUCT: GG250 PLUS HANGING INFILL

TITLE: GENERAL INFORMATION

DRAWING No: GG250PLUSINFILL_A0

FOR SALES INFORMATION ONLY-SUBJECT TO CHANGE
ALL DIMENSIONS NOMINAL

This document is the copyright of Integrated Design Ltd



fastlane