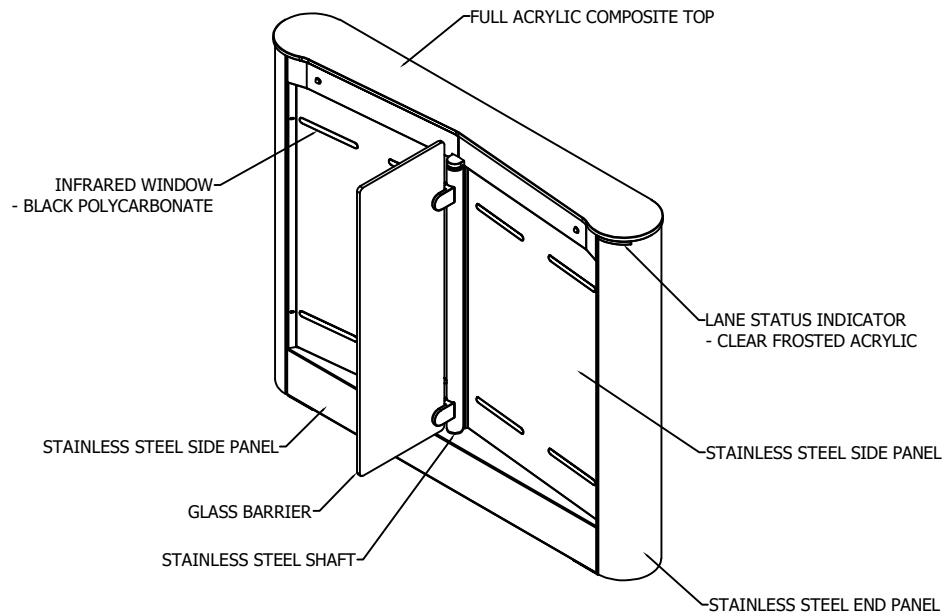
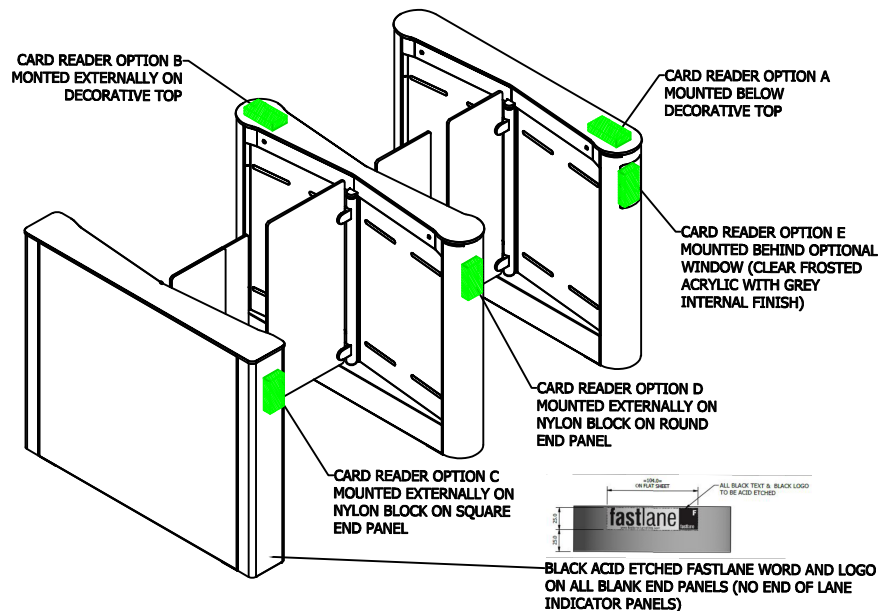


MATERIAL SPECIFICATION

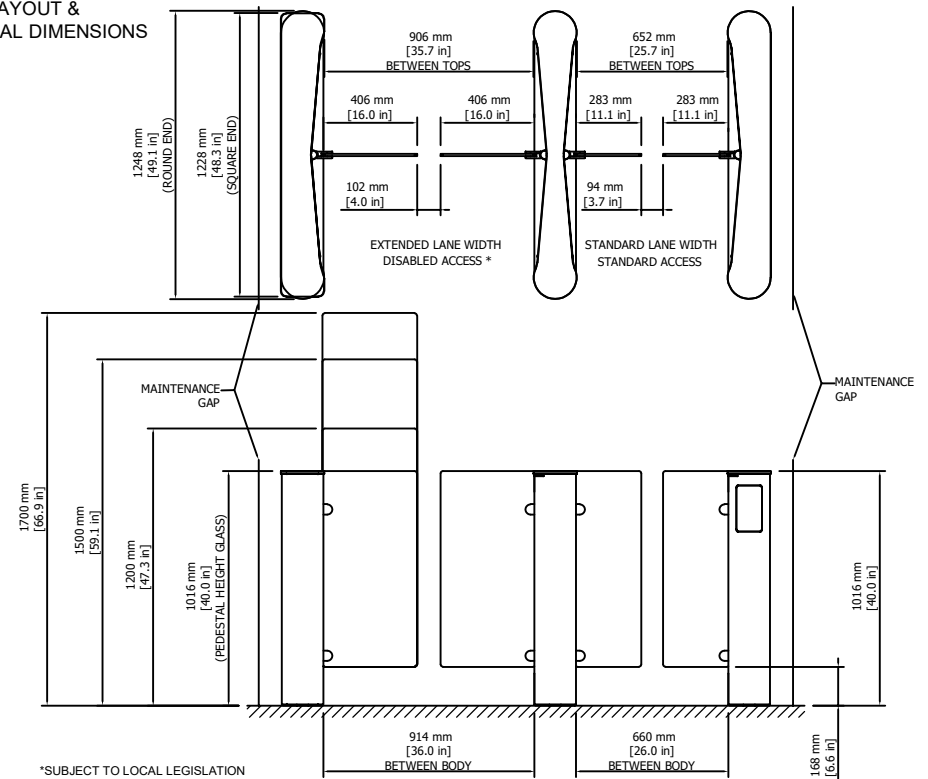


ALL GLASS IS TOUGHENED - EN 12150
 ALL STAINLESS STEEL IS 304, 240 GRIT (SATIN No. 4), HORIZONTAL GRAIN
 DECORATIVE TOP HAS 4mm OVERHANG ALL AROUND

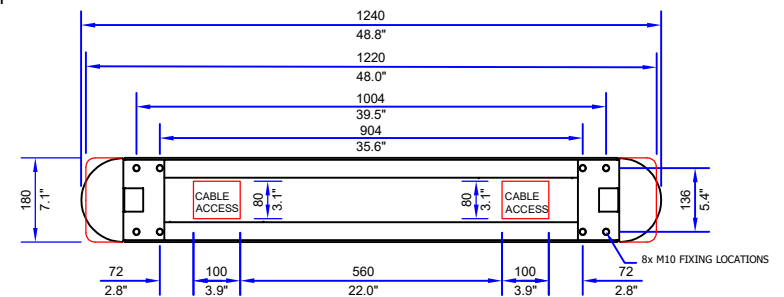
READER MOUNTING OPTIONS AND LOGO DETAILS



LANE LAYOUT & GENERAL DIMENSIONS



PEDESTAL FOOTPRINT



PRODUCT: GLASSGATE 250 PLUS

TITLE: GENERAL INFORMATION

DRAWING No: GG250_PLUS_A1

FOR SALES INFORMATION ONLY-SUBJECT TO CHANGE
 ALL DIMENSIONS +/-2mm

This document is the copyright of Integrated Design LTD

