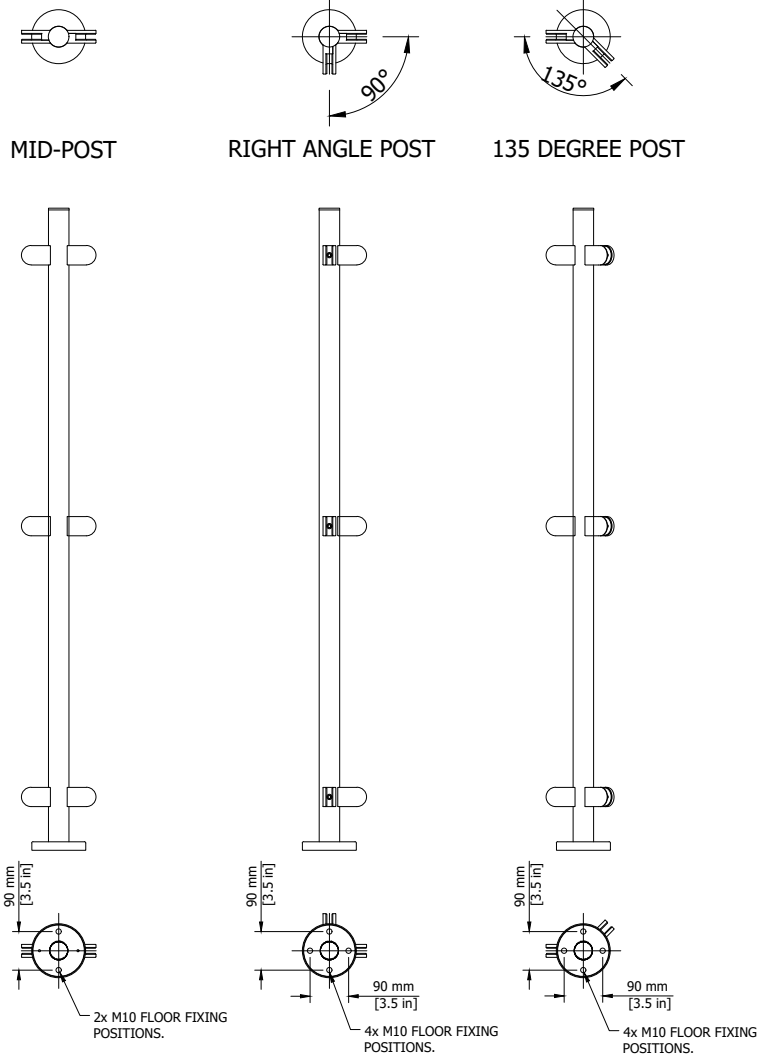
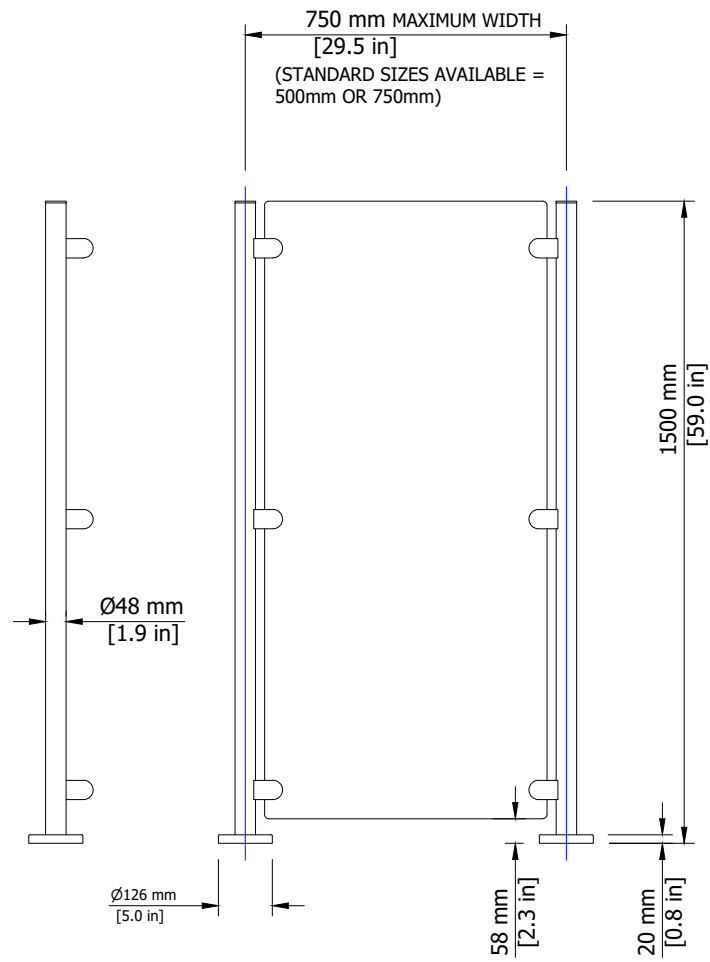
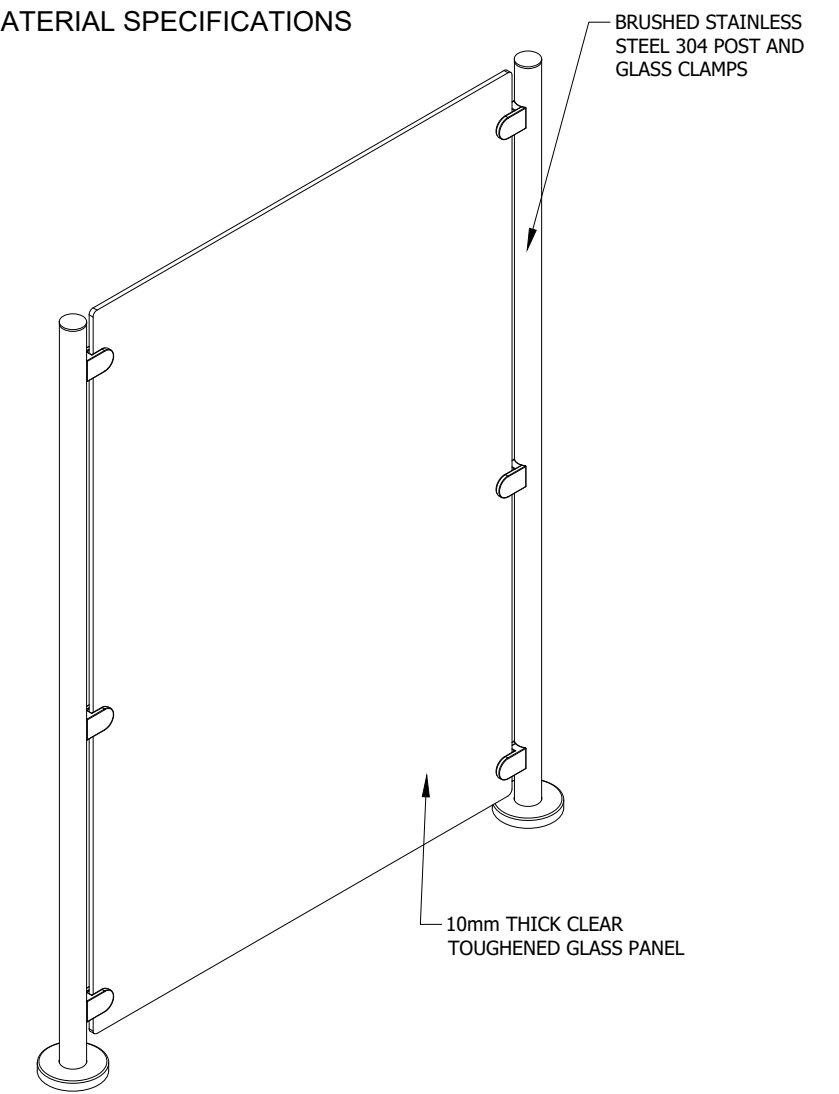


GENERAL DIMENSIONS

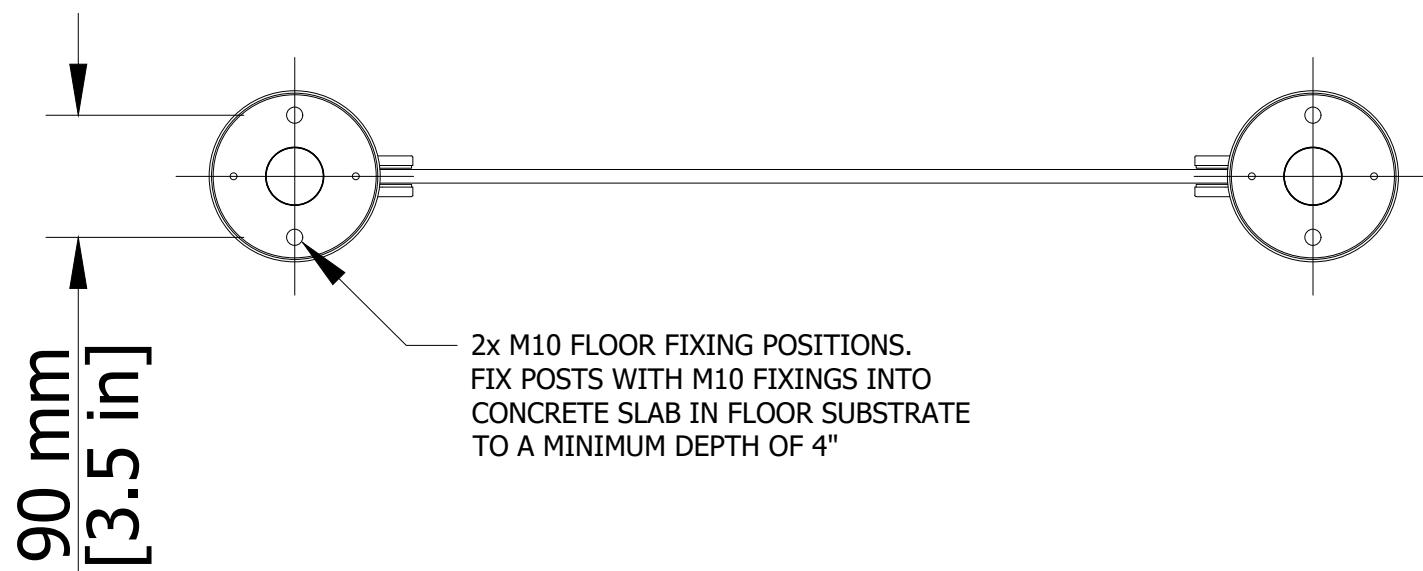


GENERAL MATERIAL SPECIFICATIONS



ALL GLASS IS TOUGHENED - EN12150

FLOOR FIXING POSITIONS



2x M10 FLOOR FIXING POSITIONS. FIX POSTS WITH M10 FIXINGS INTO CONCRETE SLAB IN FLOOR SUBSTRATE TO A MINIMUM DEPTH OF 4"

PRODUCT: 1500 HEIGHT INFILL

TITLE: GENERAL INFORMATION

DRAWING No: 1500INFILL_A1

FOR SALES INFORMATION ONLY-SUBJECT TO CHANGE
ALL DIMENSIONS NOMINAL

This document is the copyright of Integrated Design Ltd

