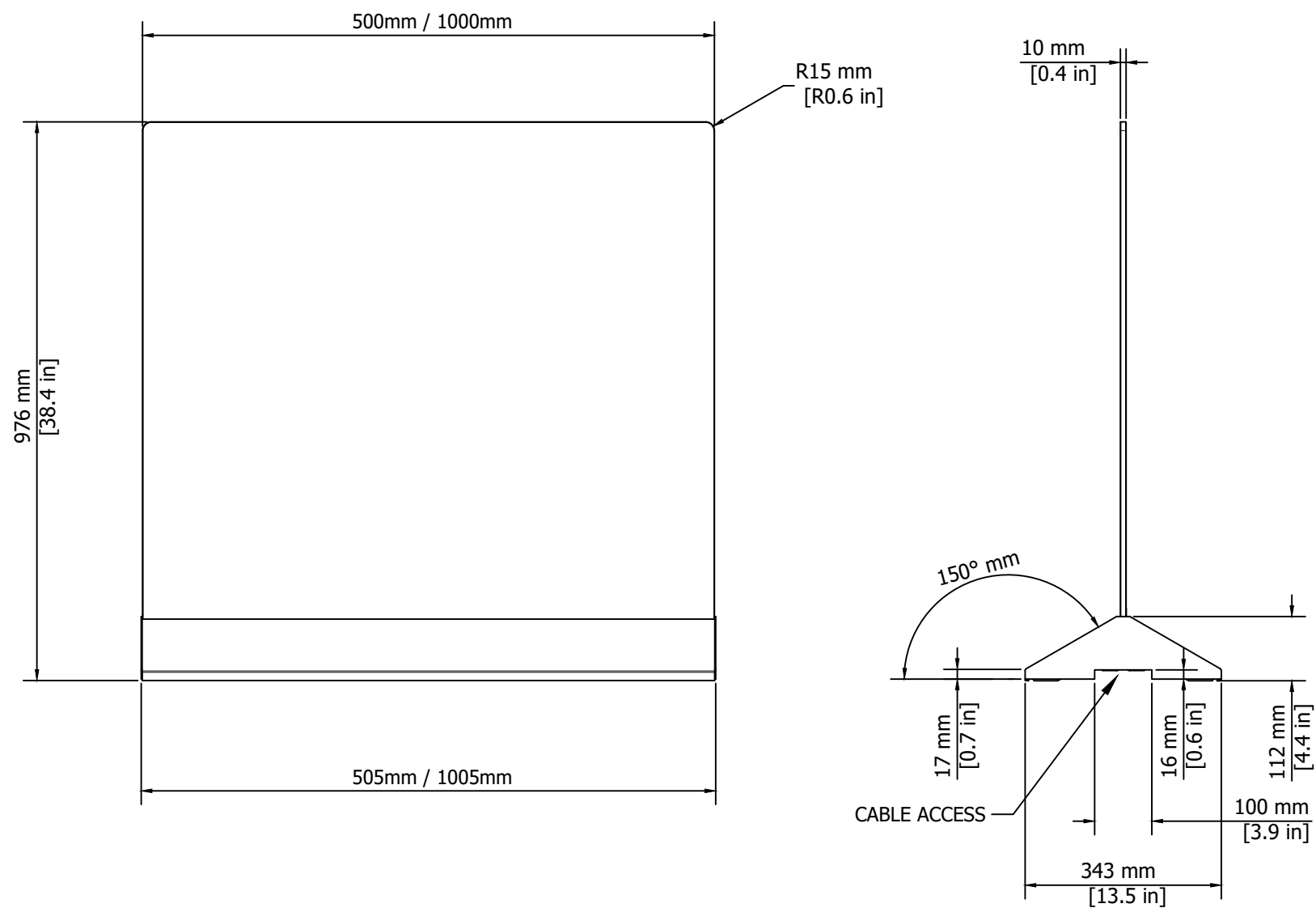
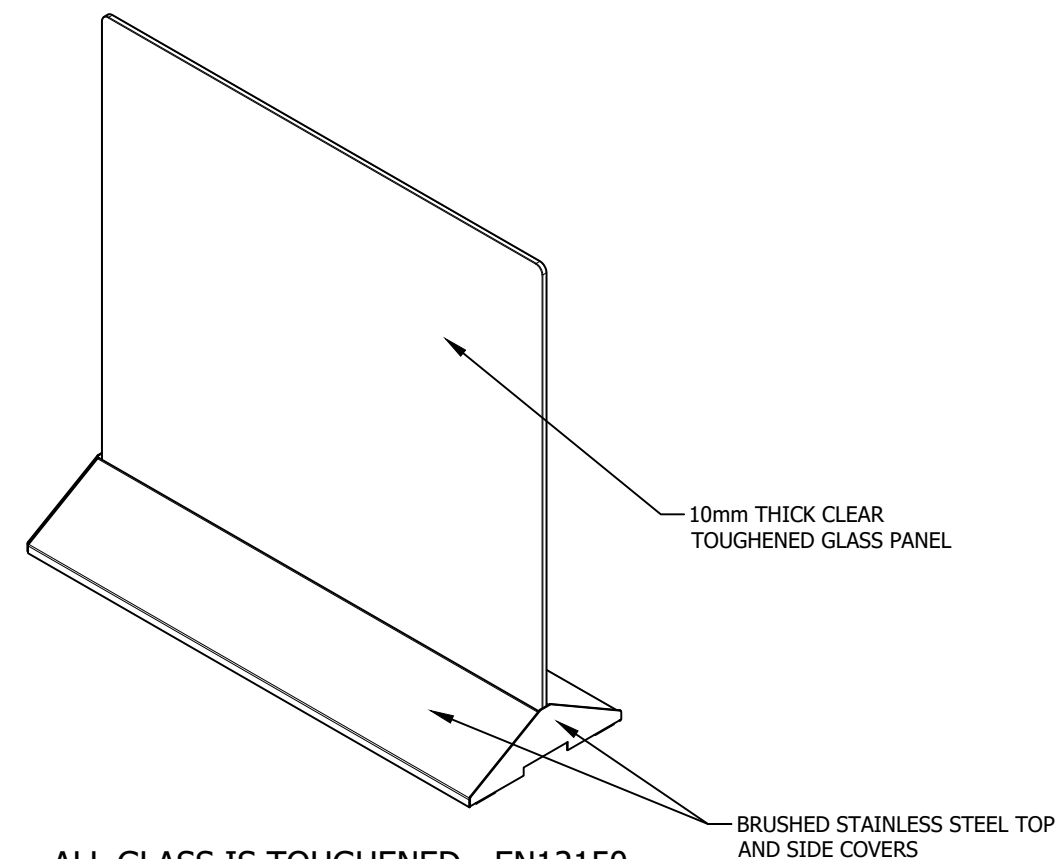


GENERAL DIMENSIONS



GENERAL MATERIAL SPECIFICATIONS



ALL GLASS IS TOUGHENED - EN12150
ALL STAINLESS STEEL IS 304, 240 GRIT (SATIN No. 4),
HORIZONTAL GRAIN

PRODUCT: FREE STANDING INFILL

TITLE: GENERAL INFORMATION

DRAWING No: FREESTANDINFILL_A2

FOR SALES INFORMATION ONLY-SUBJECT TO CHANGE
ALL DIMENSIONS NOMINAL

This document is the copyright of Integrated Design Ltd

F

fastlane