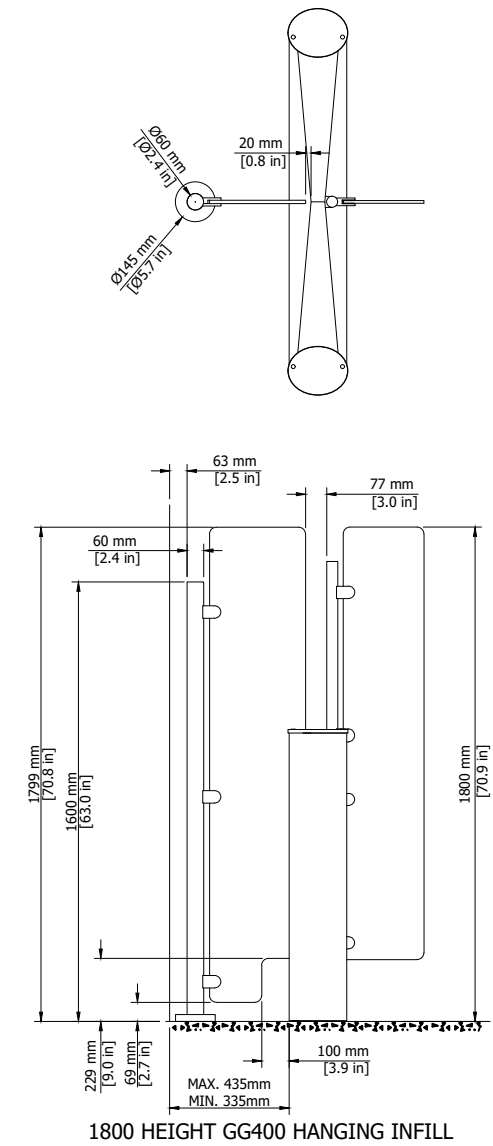
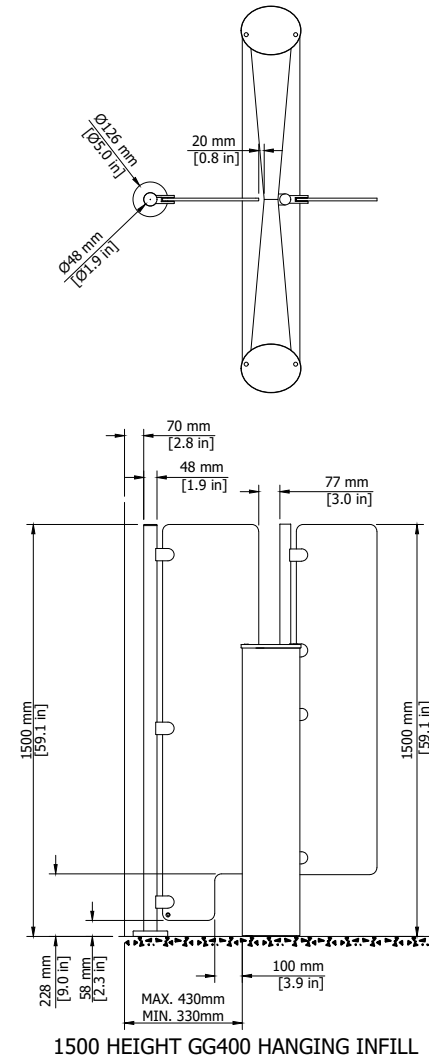
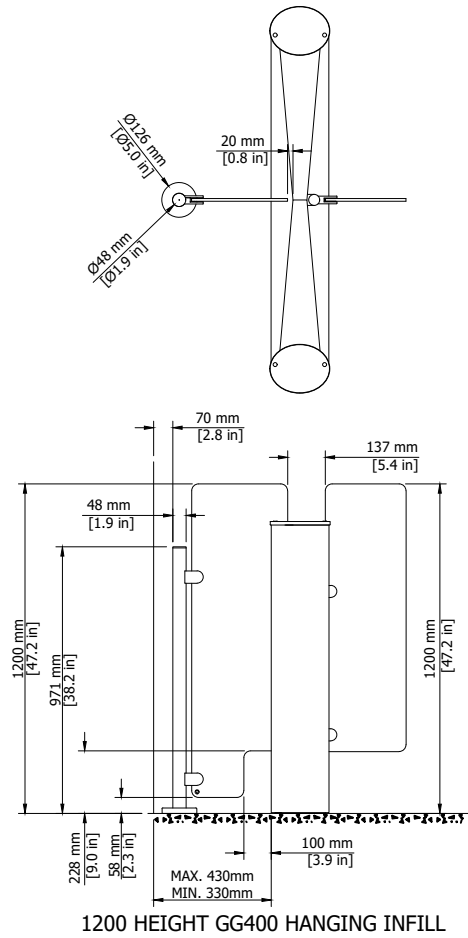
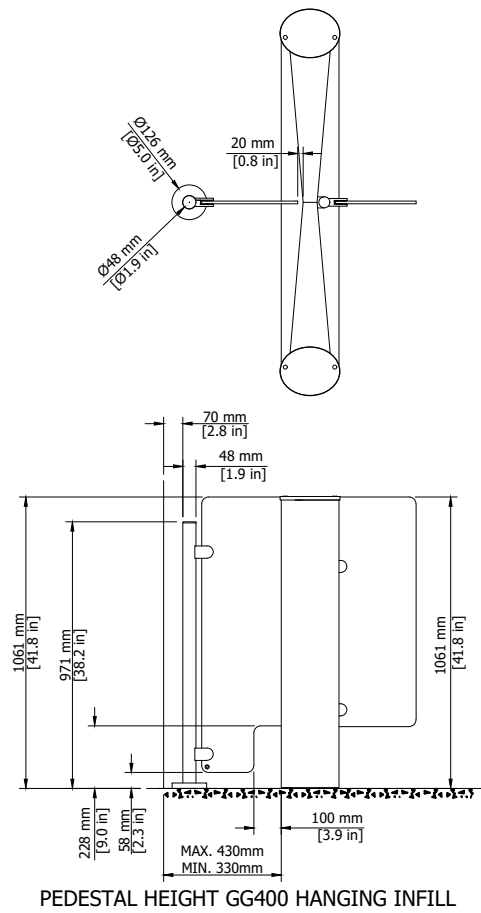
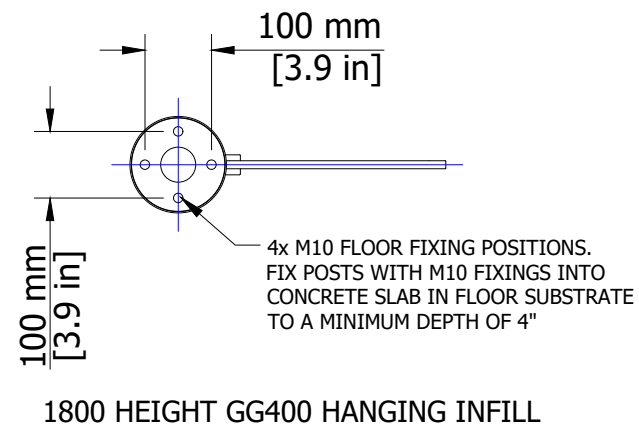
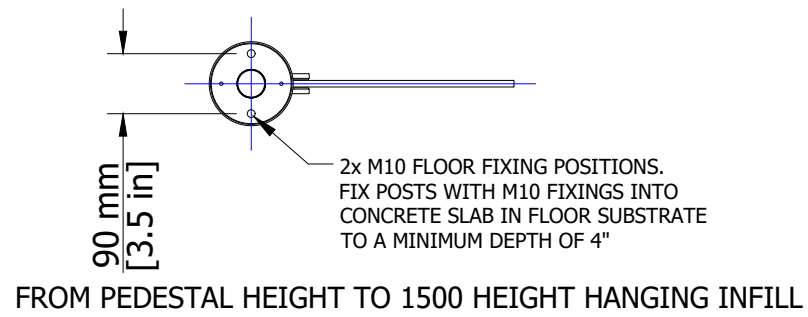


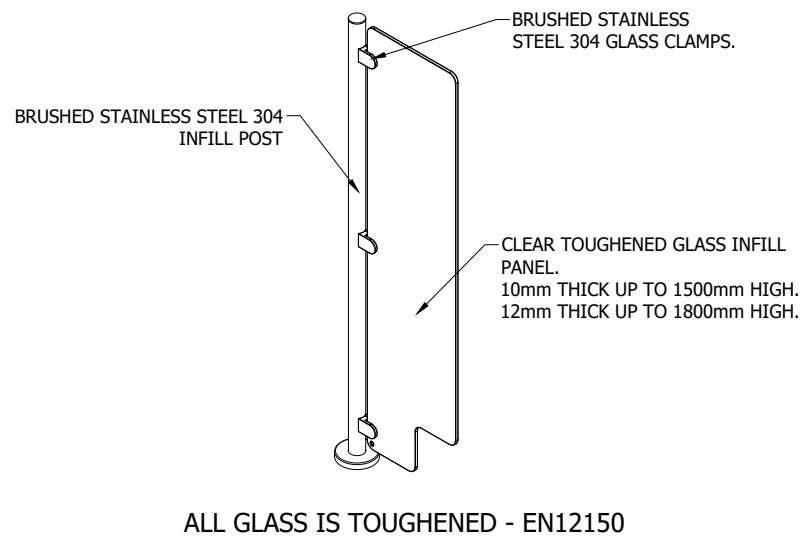
GENERAL DIMENSIONS



FIXING POSITIONS



GENERAL MATERIAL SPECIFICATIONS



PRODUCT: GG400 HANGING INFILL

TITLE: GENERAL INFORMATION

DRAWING No: GG400INFILL\_A1

FOR SALES INFORMATION ONLY-SUBJECT TO CHANGE  
 ALL DIMENSIONS NOMINAL

This document is the copyright of Integrated Design Ltd

