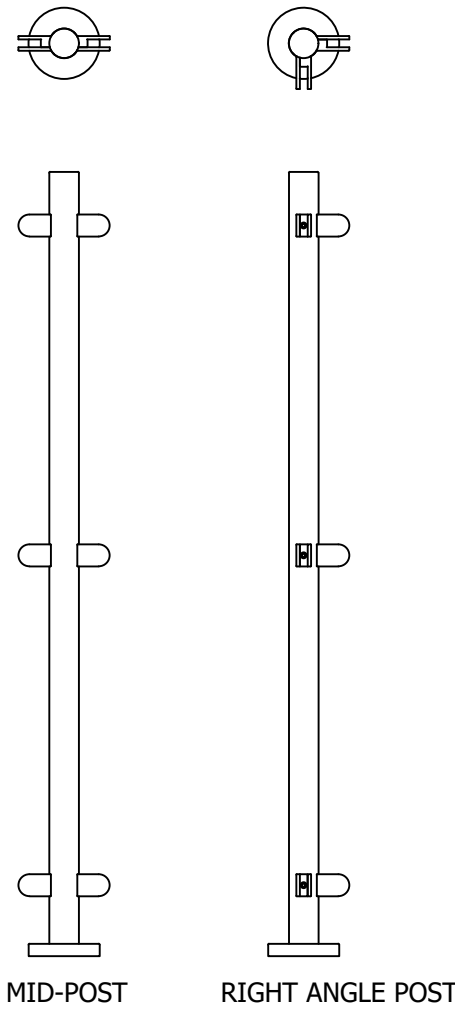
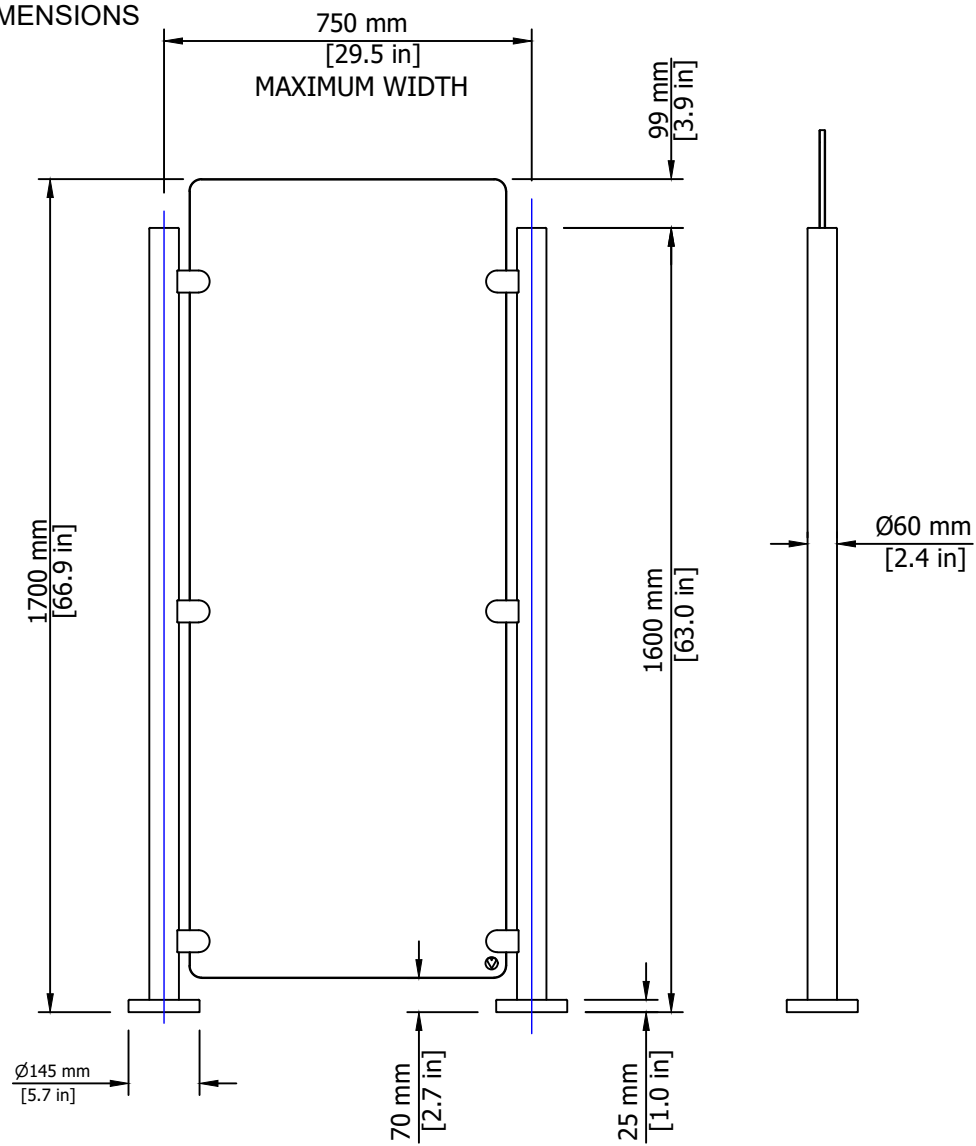
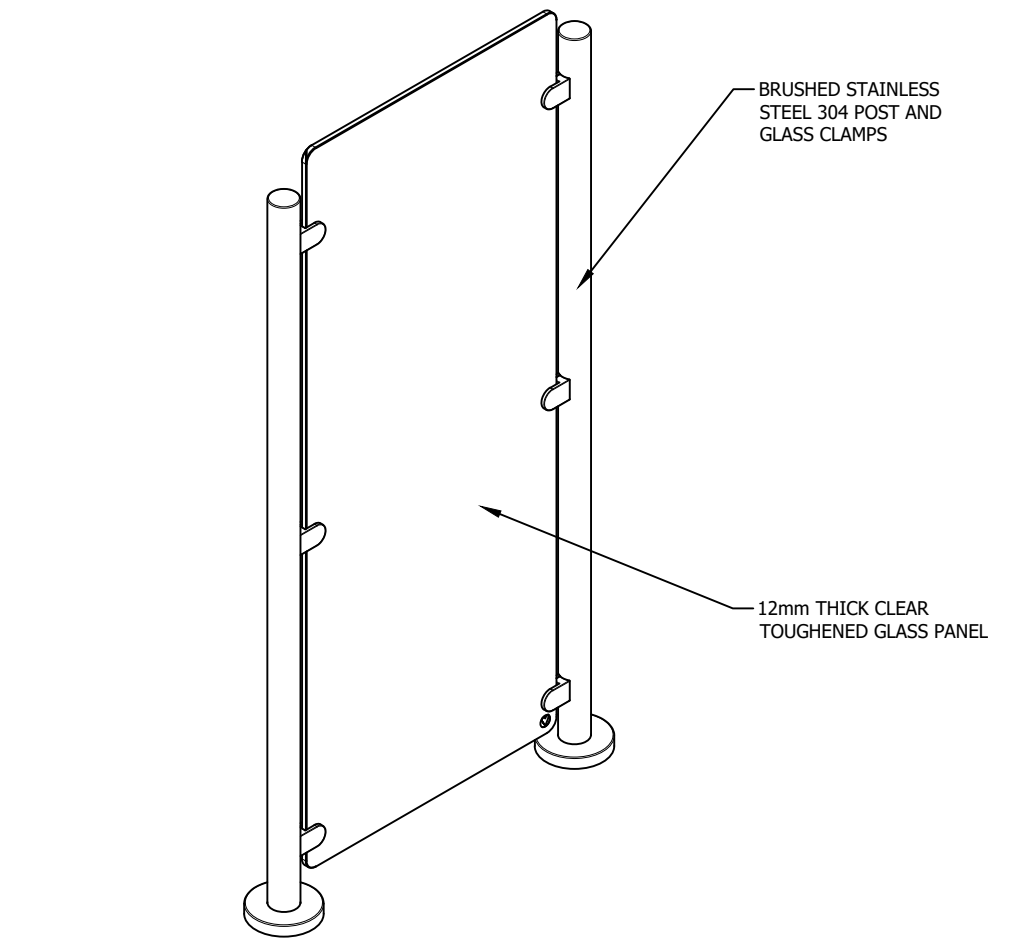


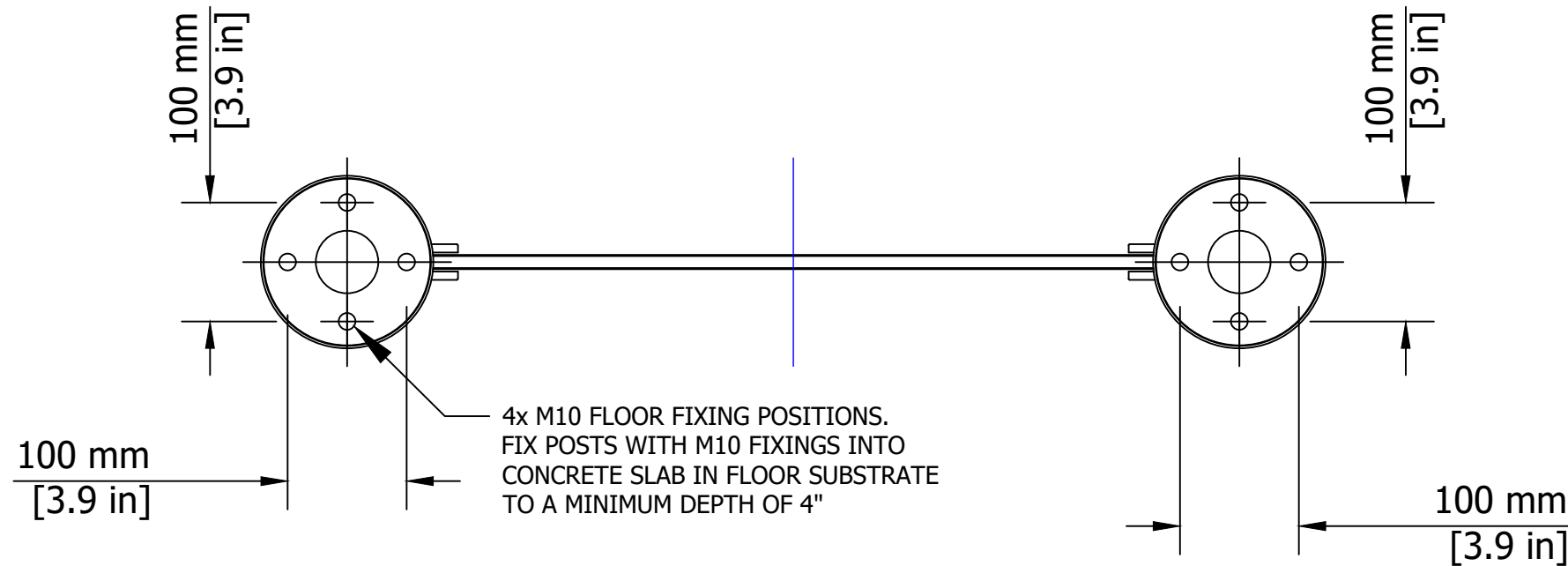
GENERAL DIMENSIONS



GENERAL MATERIAL SPECIFICATIONS



FLOOR FIXING POSITIONS



PRODUCT: 1700 HEIGHT INFILL

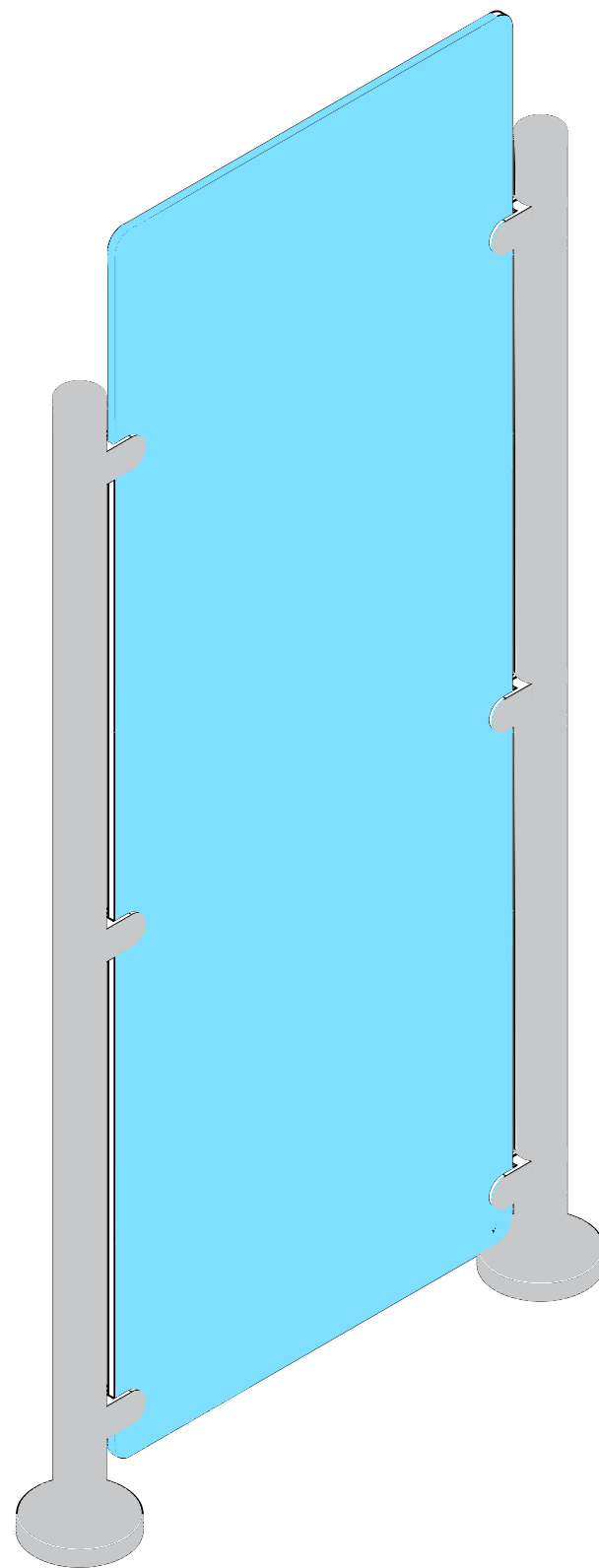
TITLE: GENERAL INFORMATION

DRAWING No: 1700INFILL_A0

FOR SALES INFORMATION ONLY-SUBJECT TO CHANGE
ALL DIMENSIONS NOMINAL

This document is the copyright of Integrated Design Ltd





PRODUCT: TALL INFILL

TITLE: SALES ILLUSTRATION

DRAWING No: 1700INFILL_A0

FOR SALES INFORMATION ONLY-SUBJECT TO CHANGE
ALL DIMENSIONS NOMINAL

This document is the copyright of Integrated Design Ltd

F

fastlane