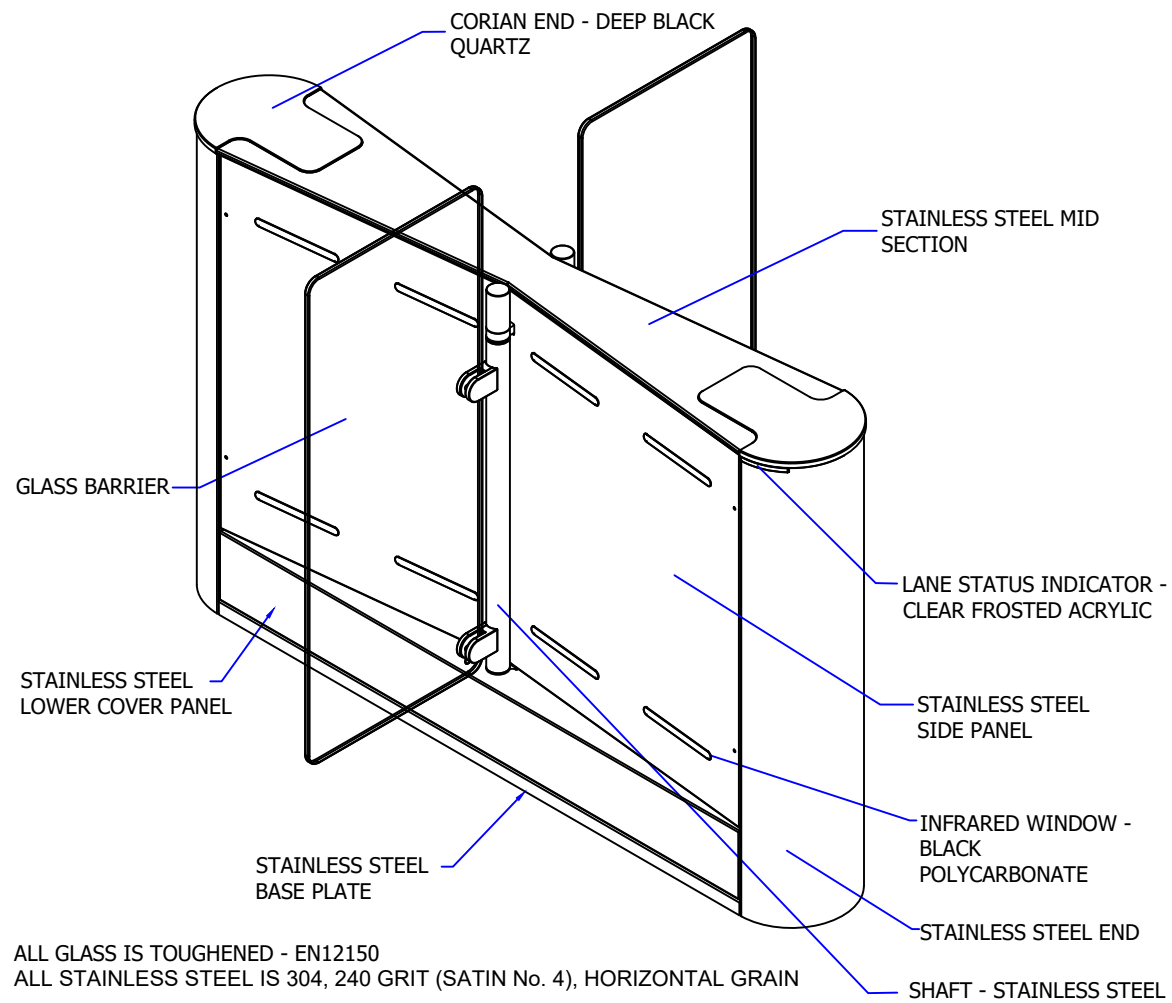
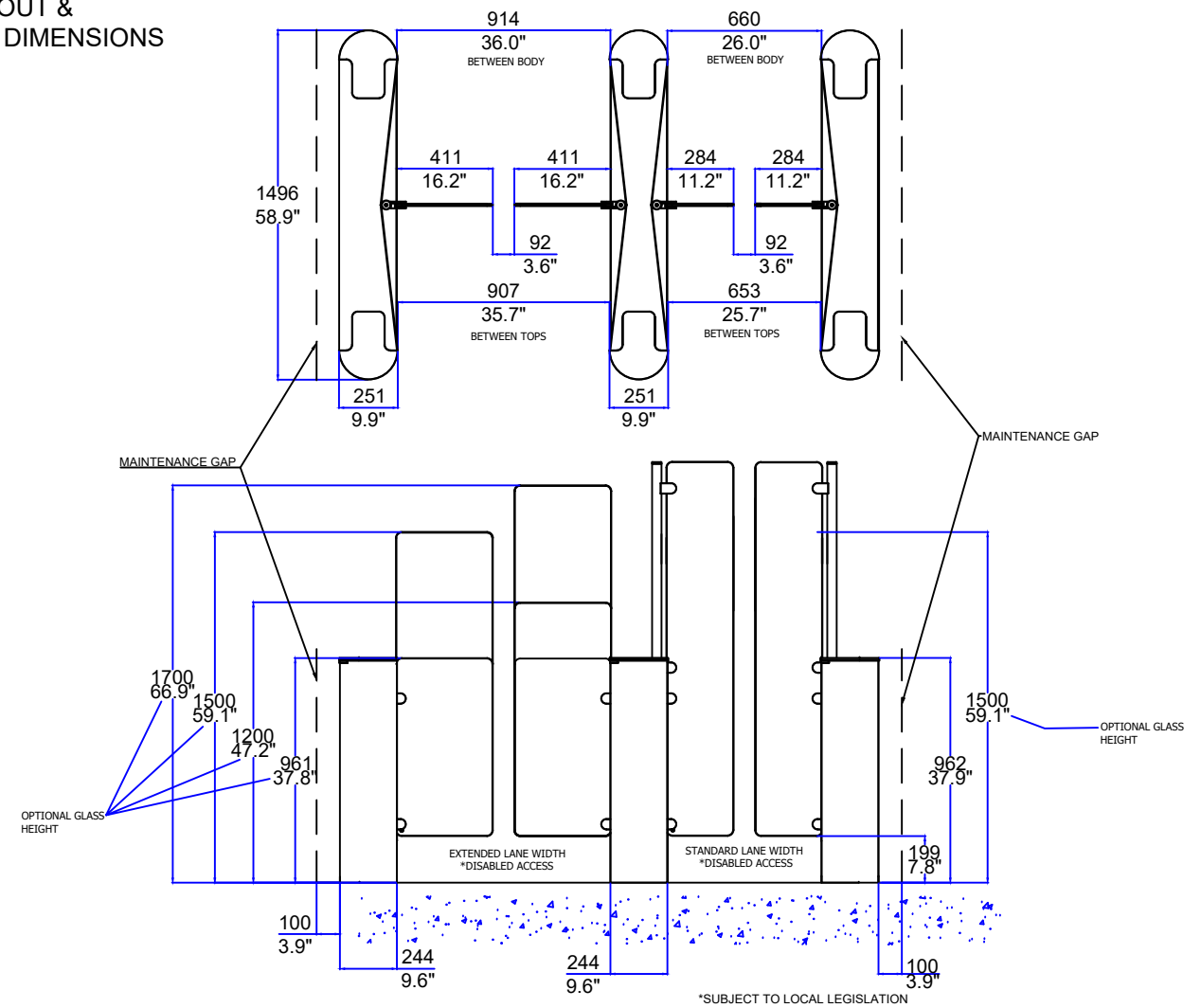


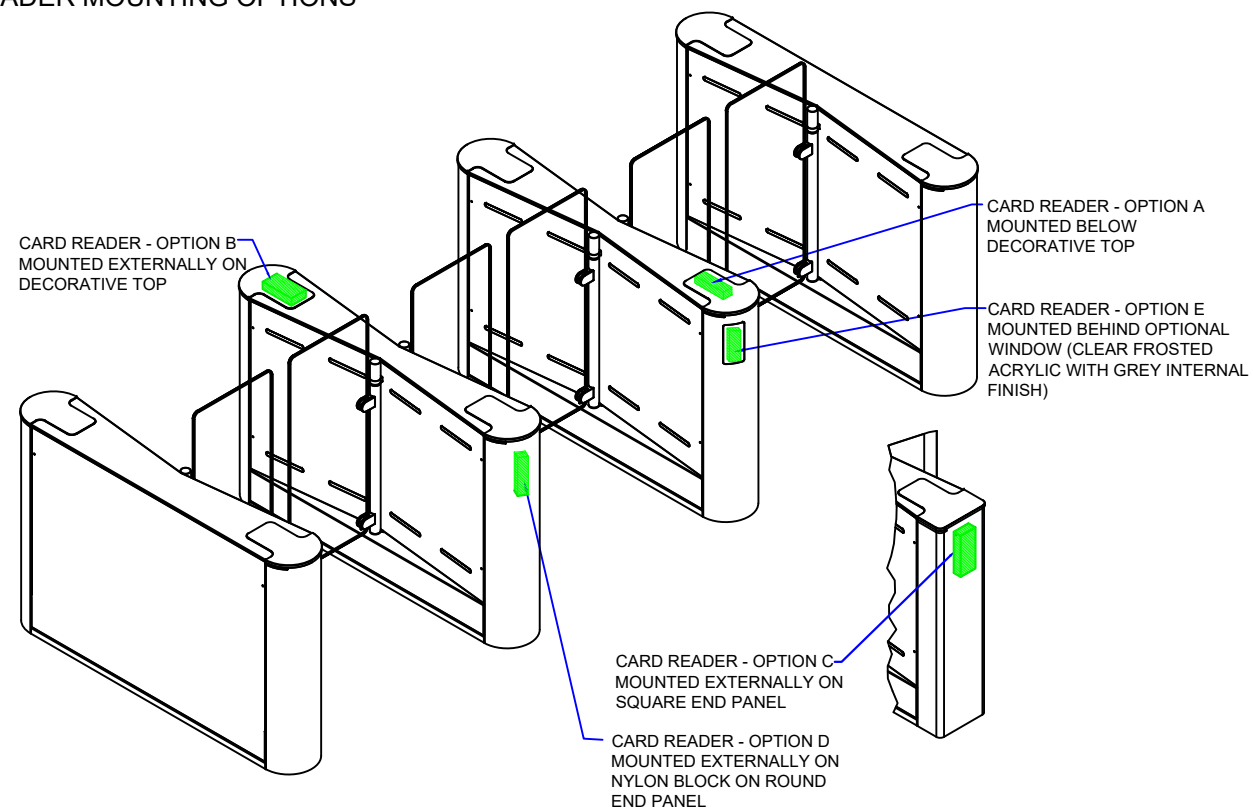
MATERIAL SPECIFICATION



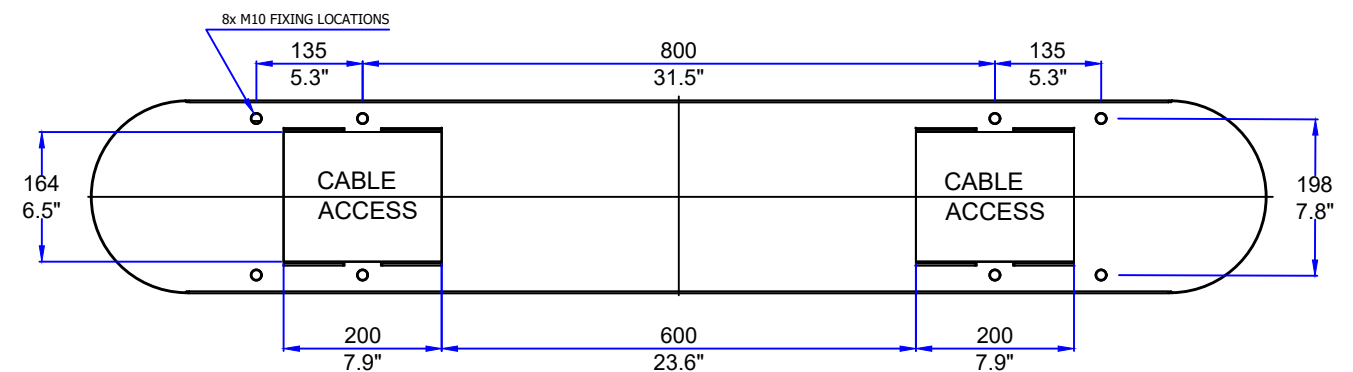
LANE LAYOUT & GENERAL DIMENSIONS



READER MOUNTING OPTIONS



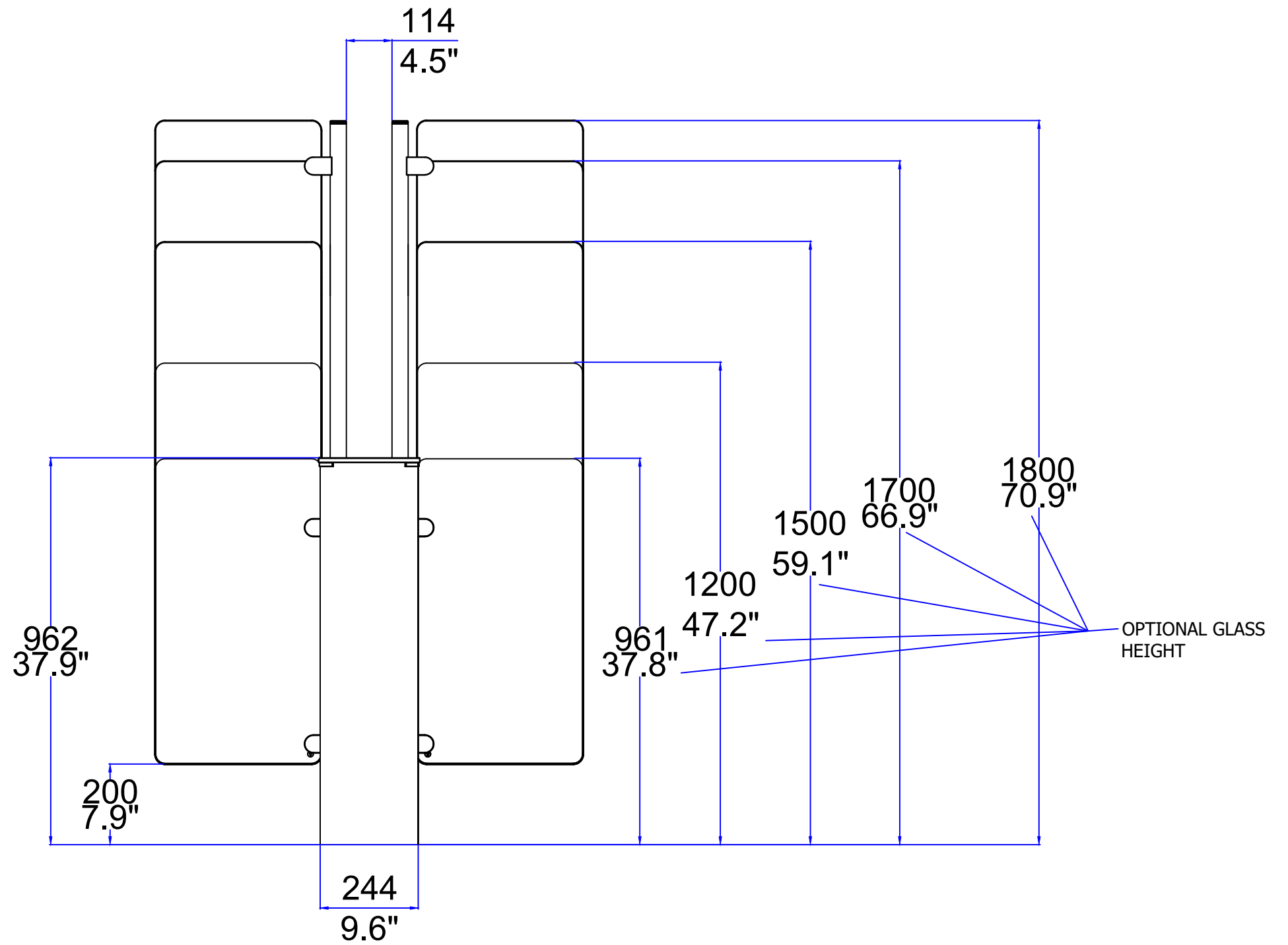
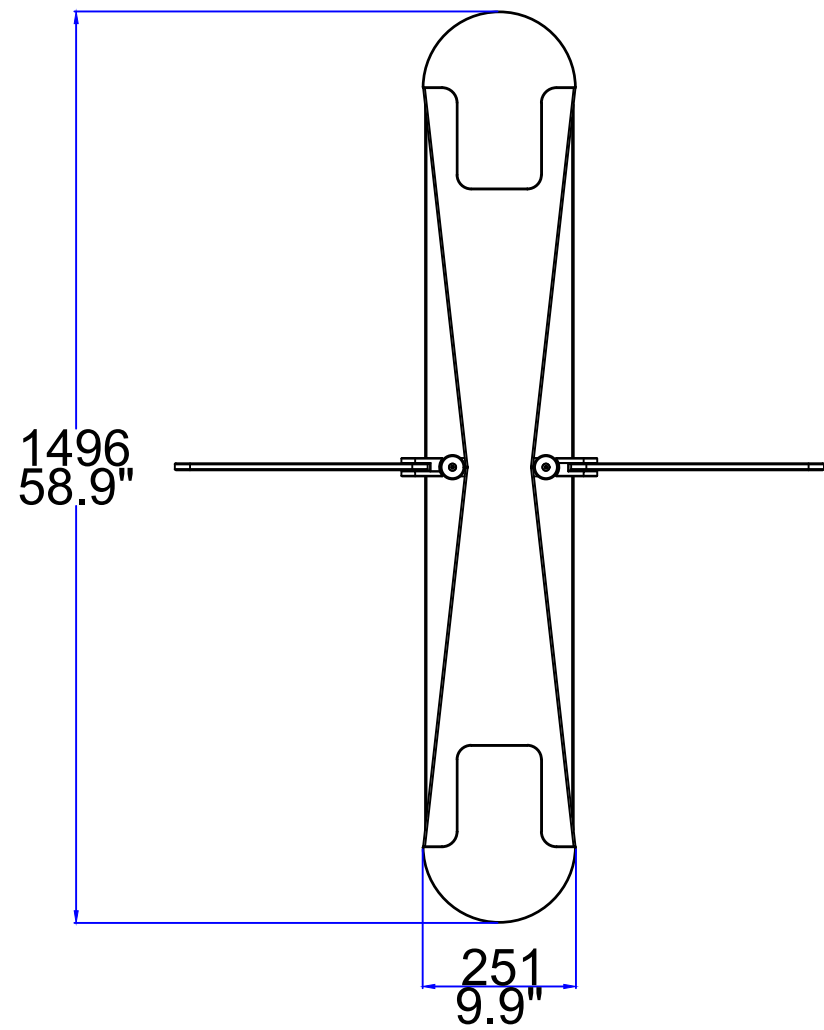
PEDESTAL FOOTPRINT



PRODUCT: GLASSGATE 200 PLUS

**TITLE: GENERAL INFORMATION
DRAWING No:GG200_PLUS_A2**
FOR SALES INFORMATION ONLY-SUBJECT TO CHANGE
ALL DIMENSIONS +/-2mm
This document is the copyright of Integrated Design LTD





PRODUCT: GLASSGATE 200 PLUS

TITLE: SALES ILLUSTRATION
DRAWING No: GG200_PLUS_A2
 FOR SALES INFORMATION ONLY-SUBJECT TO CHANGE
 ALL DIMENSIONS +/-2mm
 This document is the copyright of Integrated Design LTD

