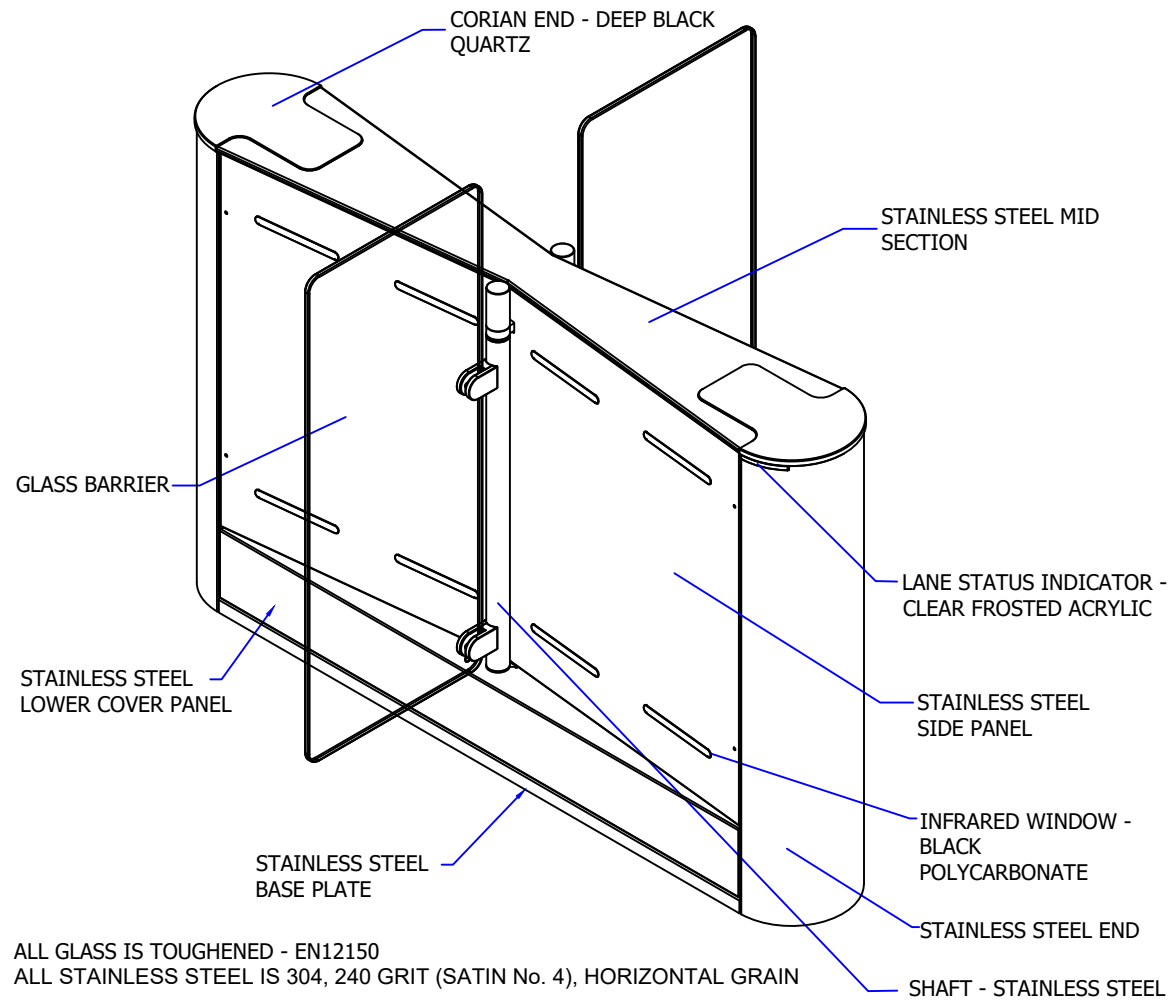
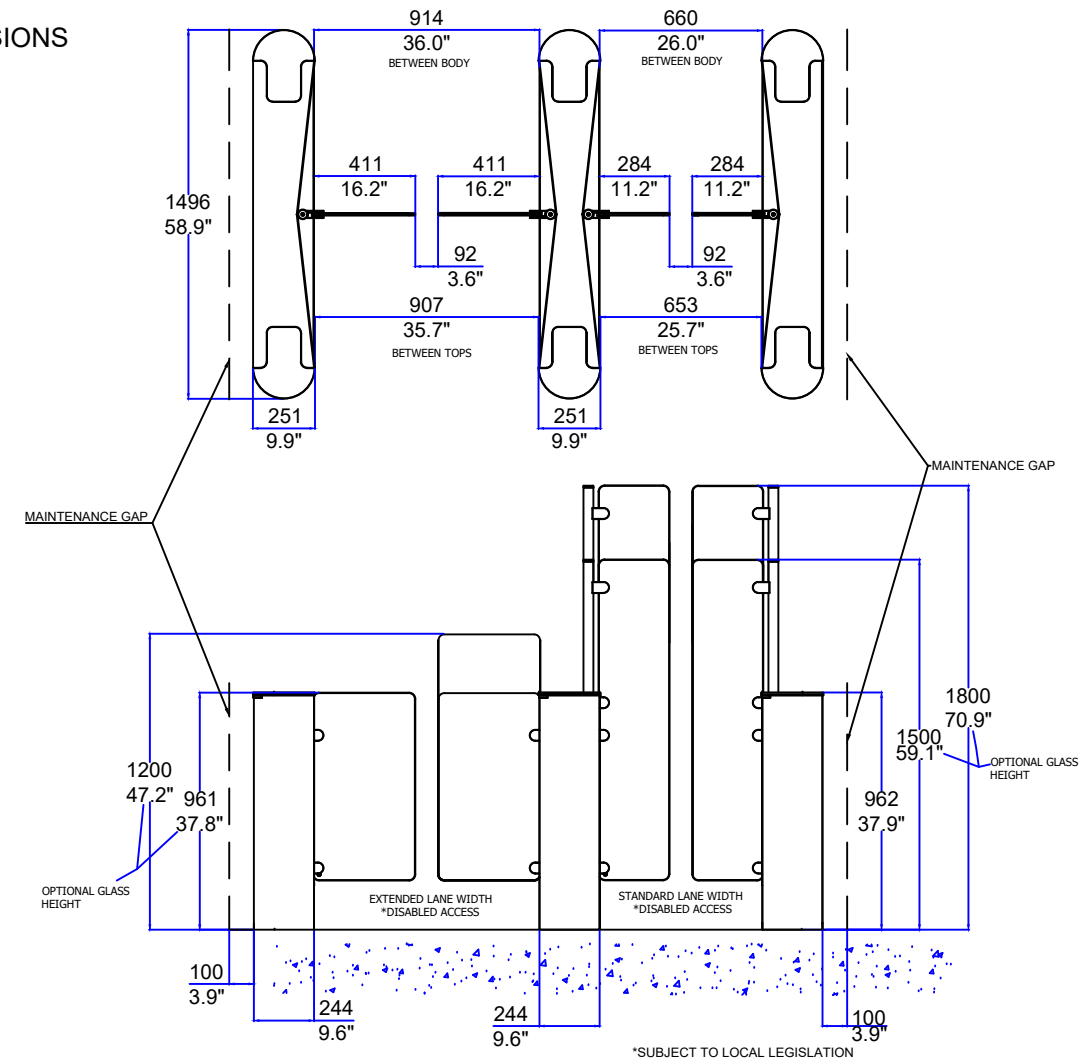


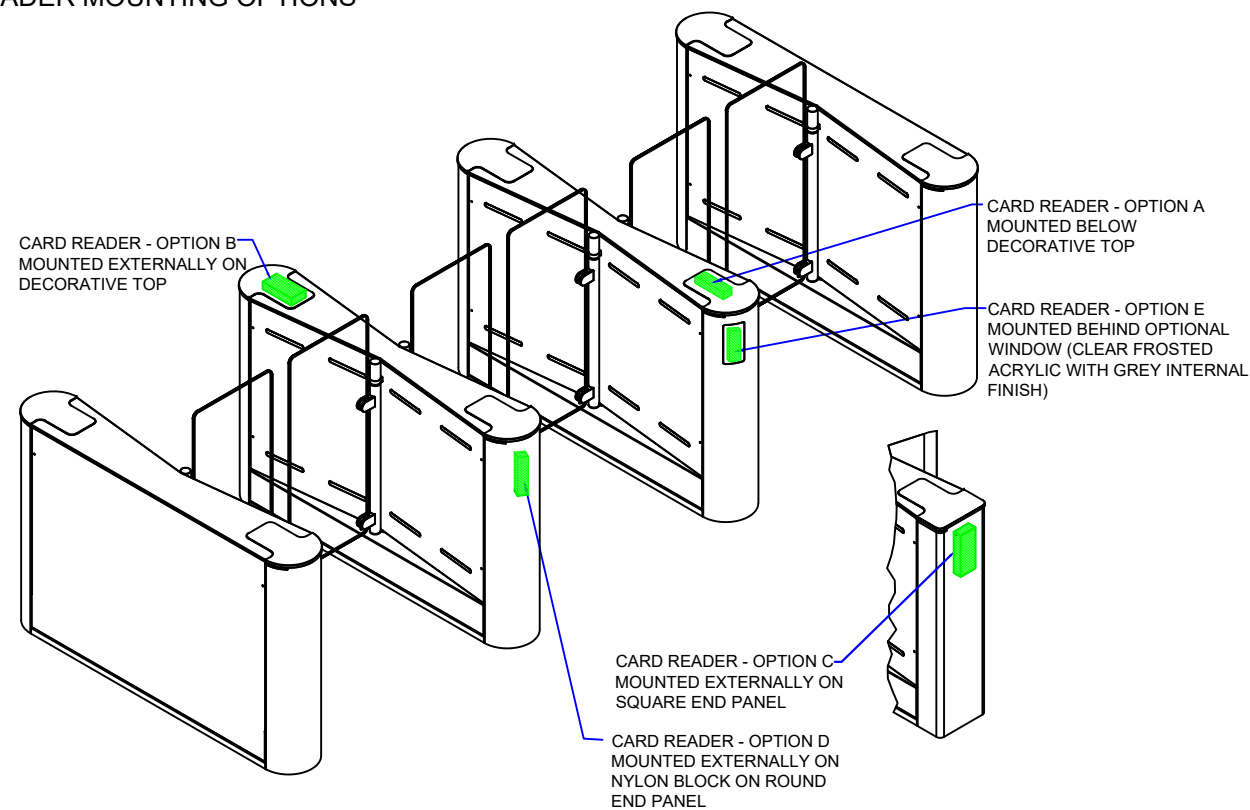
MATERIAL SPECIFICATION



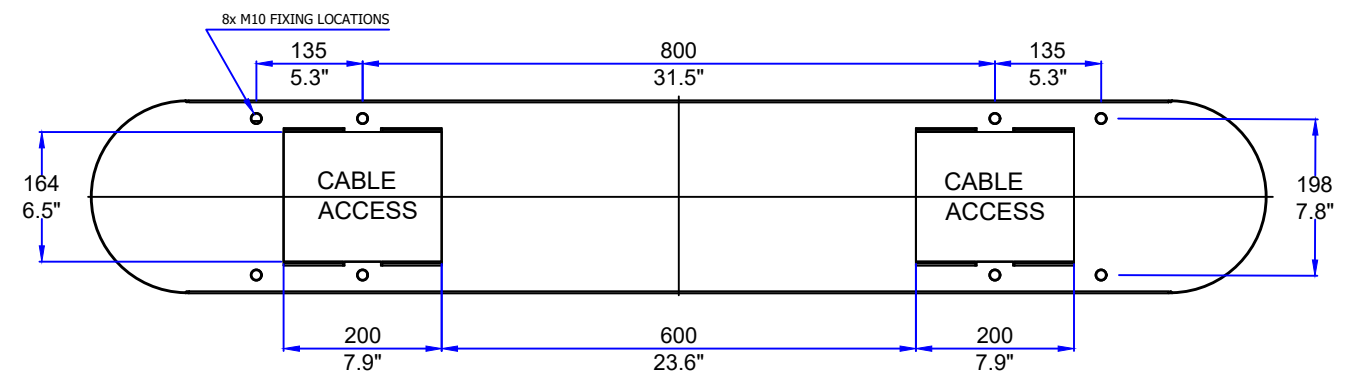
LANE LAYOUT & GENERAL DIMENSIONS



READER MOUNTING OPTIONS



PEDESTAL FOOTPRINT



PRODUCT: GLASSGATE 200 PLUS

**TITLE: GENERAL INFORMATION
DRAWING No:GG200_PLUS_A1**
FOR SALES INFORMATION ONLY-SUBJECT TO CHANGE
ALL DIMENSIONS +/-2mm
This document is the copyright of Integrated Design LTD

