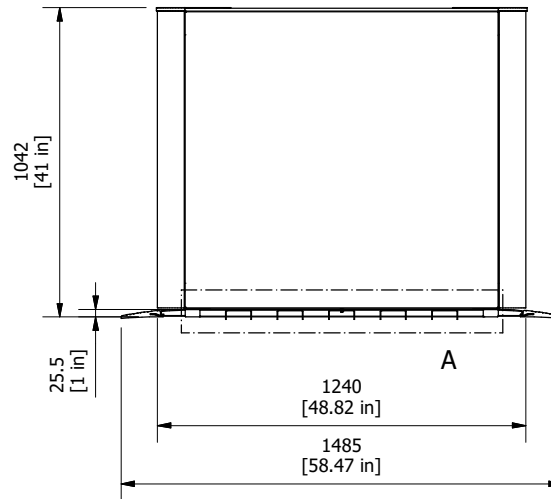
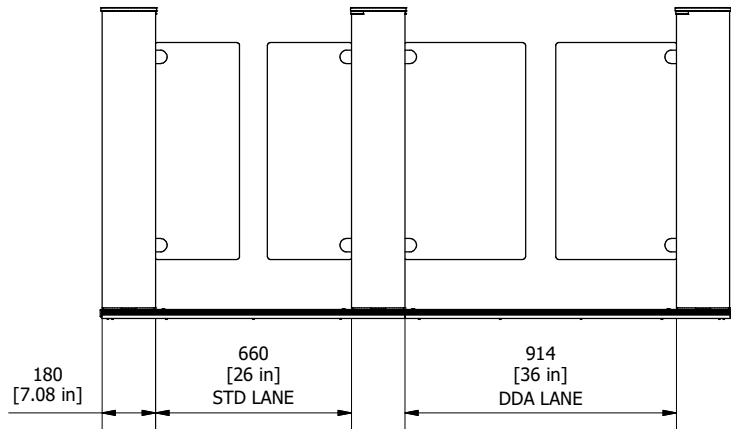
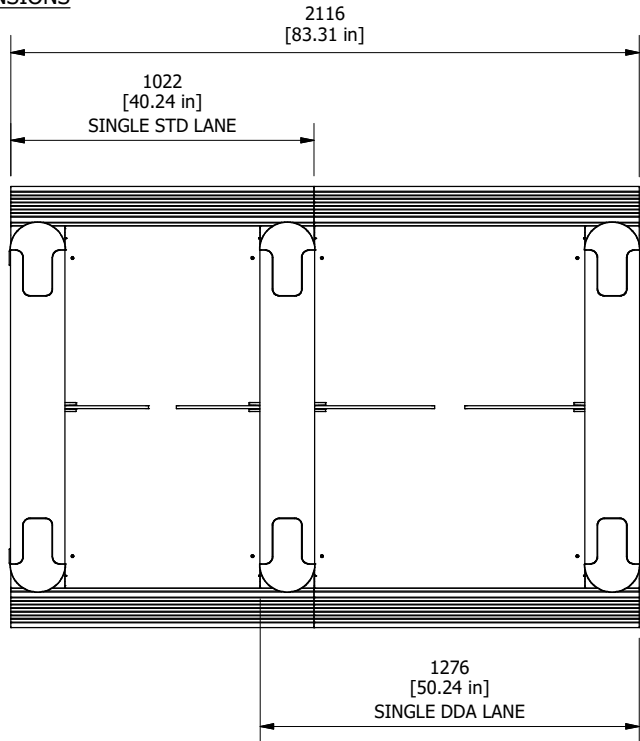
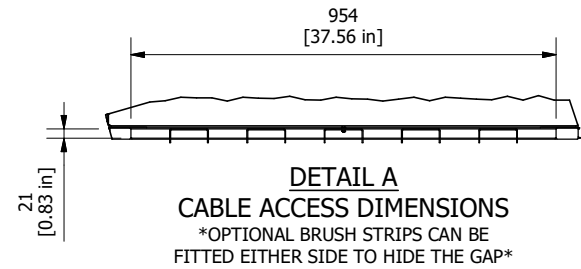
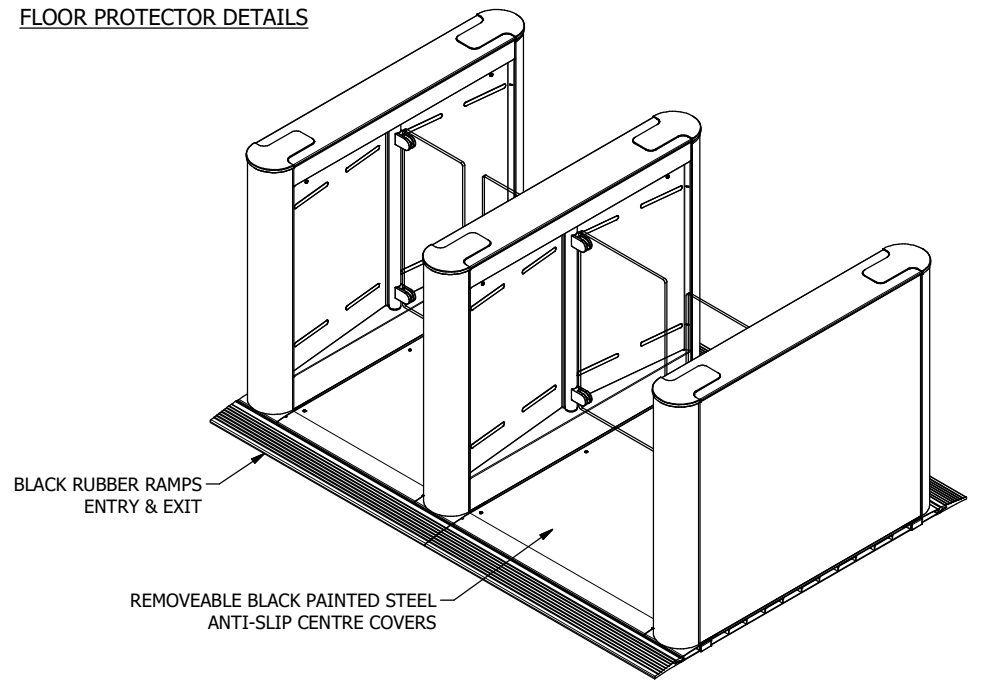


**DRAWING VIEWS
& DIMENSIONS**



FLOOR PROTECTOR DETAILS



PRODUCT: FLOOR PROTECTOR V2
GLASSGATE 250

TITLE: GENERAL INFORMATION

DRAWING No: FPV2GG250_A0

FOR SALES INFORMATION ONLY - SUBJECT TO CHANGE
ALL DIMENSIONS ± 2mm
This document is copyright of Integrated Design Ltd

