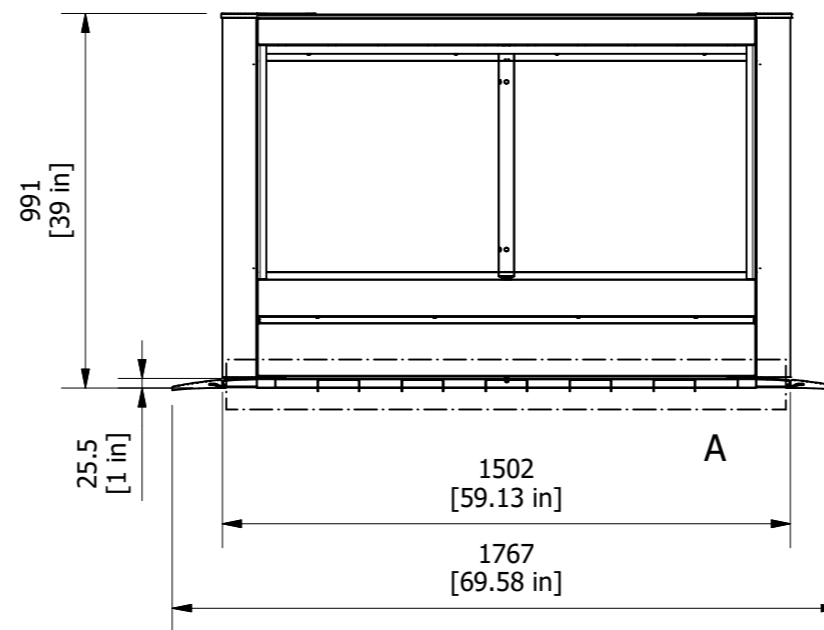
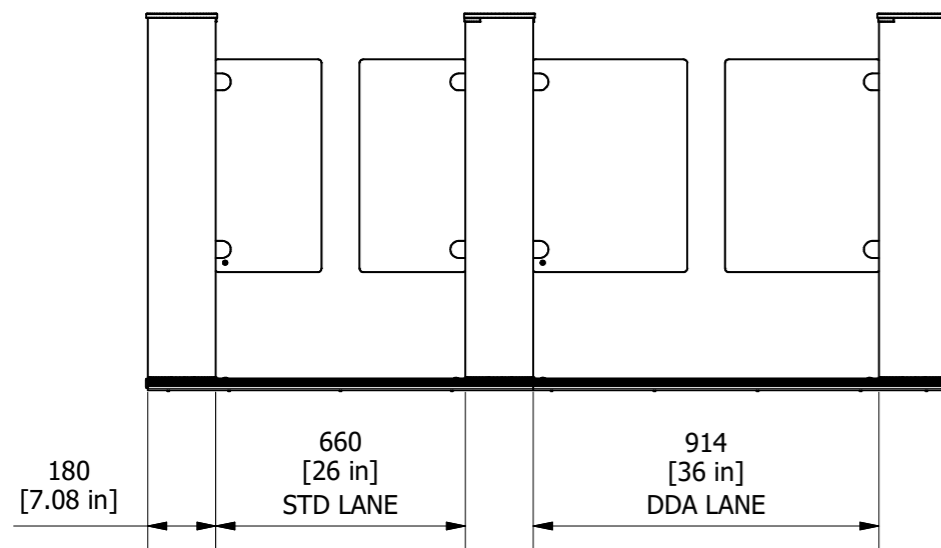
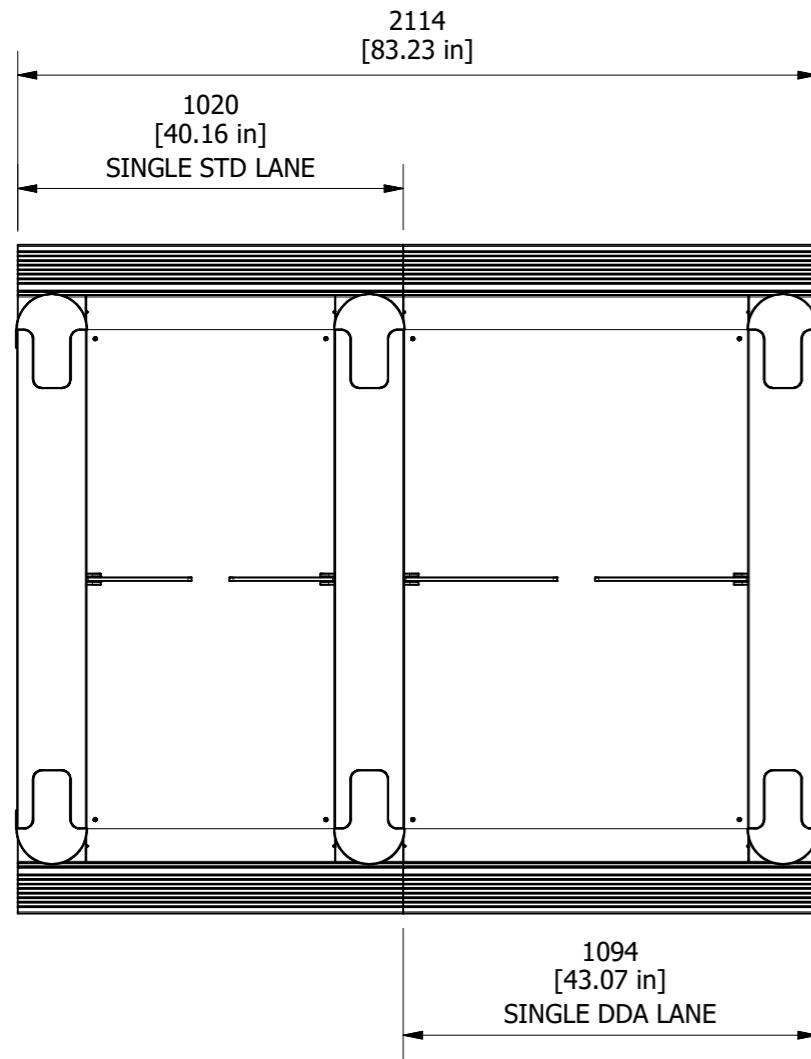
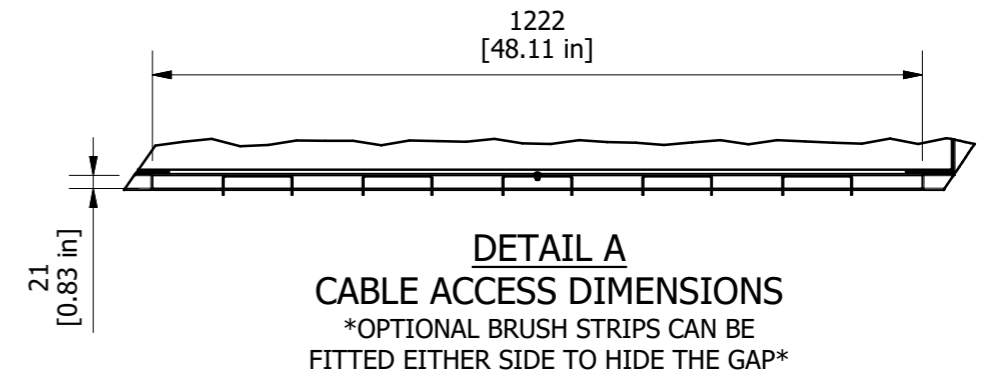
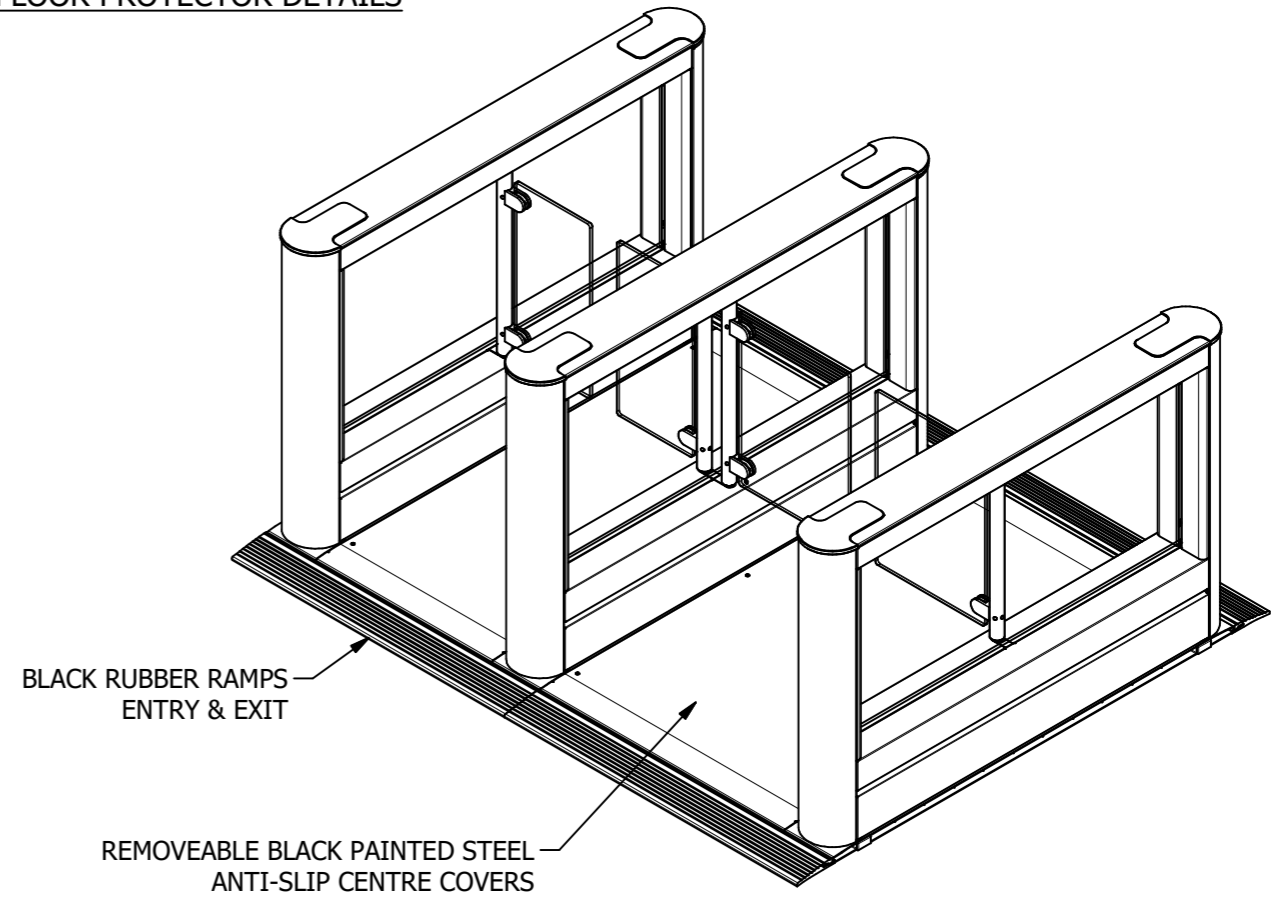


**DRAWING VIEWS
& DIMENSIONS**



FLOOR PROTECTOR DETAILS



**PRODUCT: FLOOR PROTECTOR V2
GLASSGATE 155**

TITLE: GENERAL INFORMATION

DRAWING No: FPV2GG155_A0

FOR SALES INFORMATION ONLY - SUBJECT TO CHANGE
ALL DIMENSIONS ± 2mm
This document is copyright of Integrated Design Ltd

