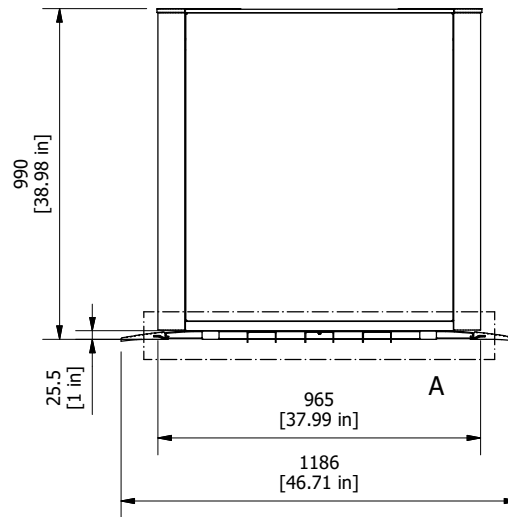
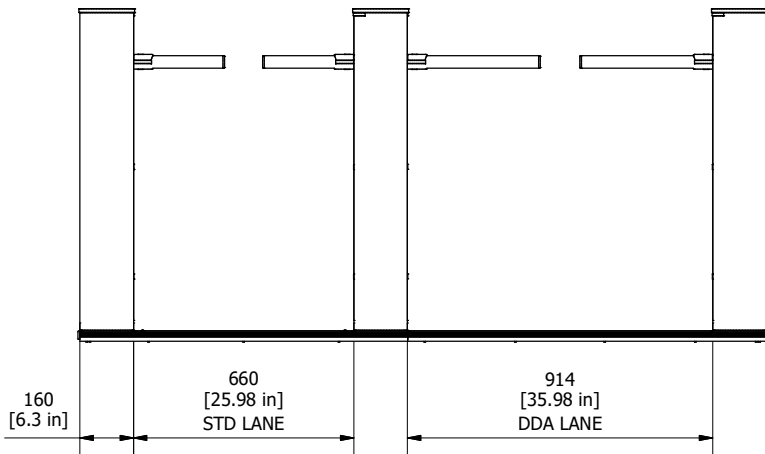
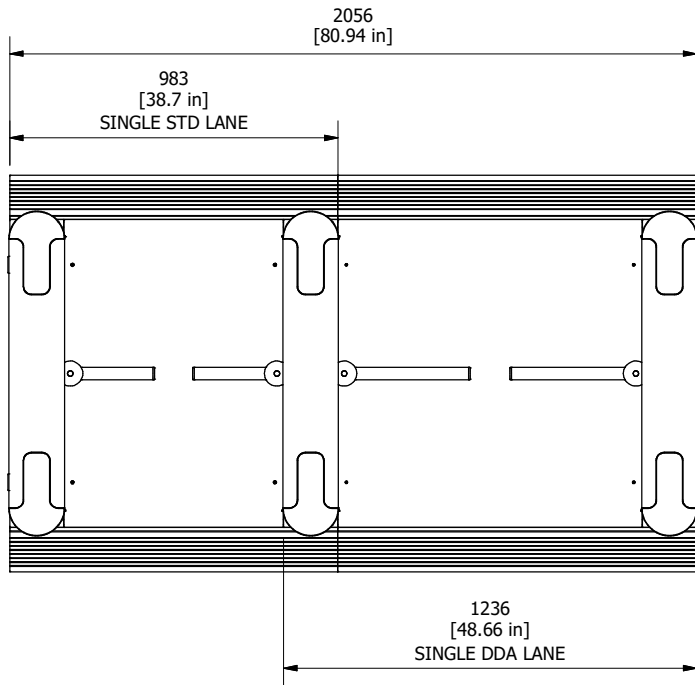
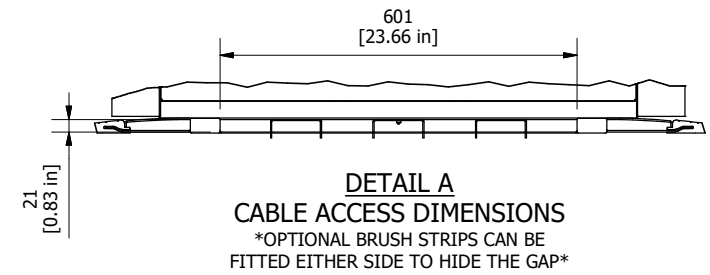
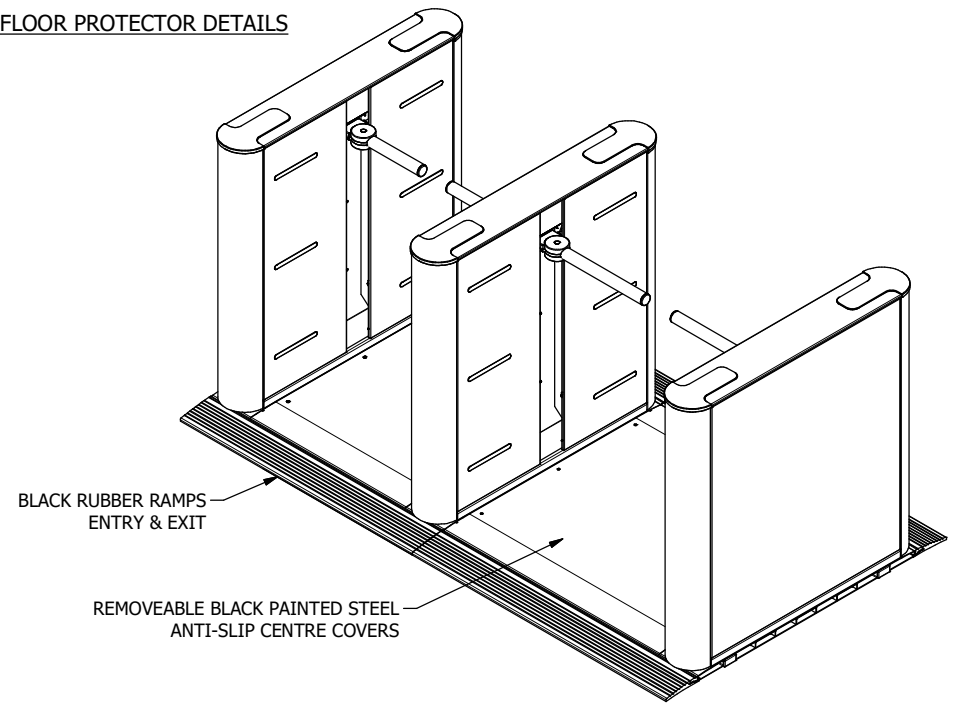


**DRAWING VIEWS  
& DIMENSIONS**



**FLOOR PROTECTOR DETAILS**



**PRODUCT: FLOOR PROTECTOR V2  
FASTLANE PLUS 400MA**

**TITLE: GENERAL INFORMATION**

**DRAWING No: FPV2FP400MA\_A0**

FOR SALES INFORMATION ONLY - SUBJECT TO CHANGE  
ALL DIMENSIONS ± 2mm  
This document is copyright of Integrated Design Ltd

