
Fastlane Multilane Controller

Fastlane Desktop Remote

Overview

Desktop and Touchscreen models are designed to provide maximum operational flexibility for Fastlane turnstiles. They are mounted at the security desk and offer full lane control, access control, and alarm monitoring for each lane. These systems work with all Fastlane optical turnstiles.

Desktop Remote

The Desktop Remote Control provides streamlined access management capabilities. It can accommodate up to 2 consoles, with each console controlling a single lane for visitor management and alarm monitoring.

Key features:

- Visual indicators alert security staff to second-stage alarms
- One-touch visitor access control for entry and exit through any lane
- Dual-function key switch for basic control and enhanced security
- Integrated fire panel connectivity for emergency safety protocols

Fastlane Multilane Controller

The Fastlane Multilane Controller is an advanced lane management system with these key capabilities:

- Monitors up to 63 lanes in groups of eight
- Shows real-time lane configurations and status
- Controls entry/exit modes per lane
- Displays visual alarms and alerts
- Tracks occupancy counts across active lanes
- Sets customizable count limits for security

All connected lanes can be individually controlled and monitored, with the ability to toggle specific lanes on or off as needed. The system's counting features work seamlessly whether using card-based exit verification or free exit modes, providing flexible options for different security requirements.

Accessories

Fastlane[®] Remotes

Fastlane Desktop Remote and Touchscreen Remote are intuitive systems that provide control of turnstile lanes to staff at a lobby security desk. Never be caught off guard with simple controls and an easy-to-understand interface.

Sustainability

- LEED Preferred Manufacturing
- Low Voltage/Low Power Consumption
- ISO 14001:2015 Accreditation



Counting

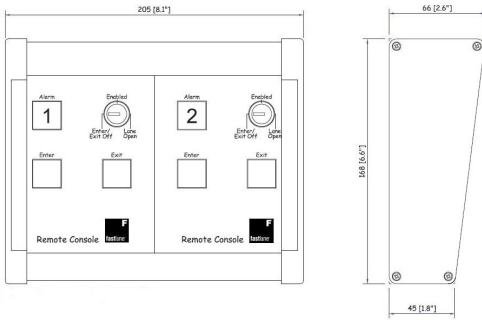
The Multilane Controller provides real-time occupancy tracking by monitoring all entry and exit activity across connected lanes. Building managers can view current occupancy levels and adjust counts manually if needed.

- **Alarm Indication:** Lane number changes to red and audible alarm annunciates when the second-stage alarm is activated.
- **Visitor Entry and Exit:** Operator touches the appropriate arrow to grant access to any lane.
- **Mode Selector:** functional mode of the Fastlane may be changed by selecting a pedestal on the touchscreen.

DETAILS

Fastlane Desktop Remote dimensions

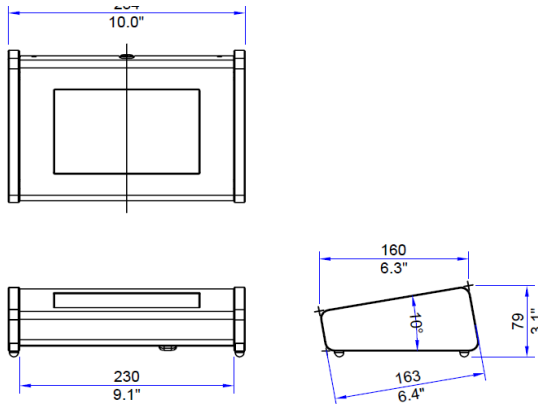
(standard, dual remote console)



DETAILS

Fastlane Multilane Touchscreen Remote dimensions

(standard, desktop console)



TECHNICAL SPECIFICATIONS

DESKTOP REMOTE

Operating Voltage	12v DC @ approx. 300mA required
Power Consumption	3.6 watts
Enclosure Materials	Black steel frame, stainless steel cover

Dimensions

Length	6.6" (168 mm)
Width	8.1-19.8" (205- 503.5 mm)(determined by the number of consoles)
Height	1.8" (45 mm) in front rising to 2.6" (66mm) in the rear

Console Specific (without metal casing)

Length	5.12" (130 mm)
Width	3.92" (99.5mm)
Height	1.06" (27 mm)

TOUCHSCREEN REMOTE

Operating Voltage	12v DC @ approx. 300mA required
Power Consumption	3.6 watts
Enclosure Materials	Mild steel frame, stainless steel cover (black), Corian ends
Connection to Fastlane	CAT5 connection to the COMMS terminals
Communication protocol	9600 baud, 8 bits
Addressing the lanes	DIP-SW2 (bank 2) switches 1-8 on the CPU board
Screen	320/240, 4 bits per pixel resolution. Color, touch sensitive
Addressing the lanes	DIP-SW2 (bank 2) switches 1-8 on the CPU board

Dimensions

Length	10" (254mm)
Width	6.3" (160mm)
Height	2.9" (73mm)

* Due to continuous improvements, specifications are subject to change without prior notice.