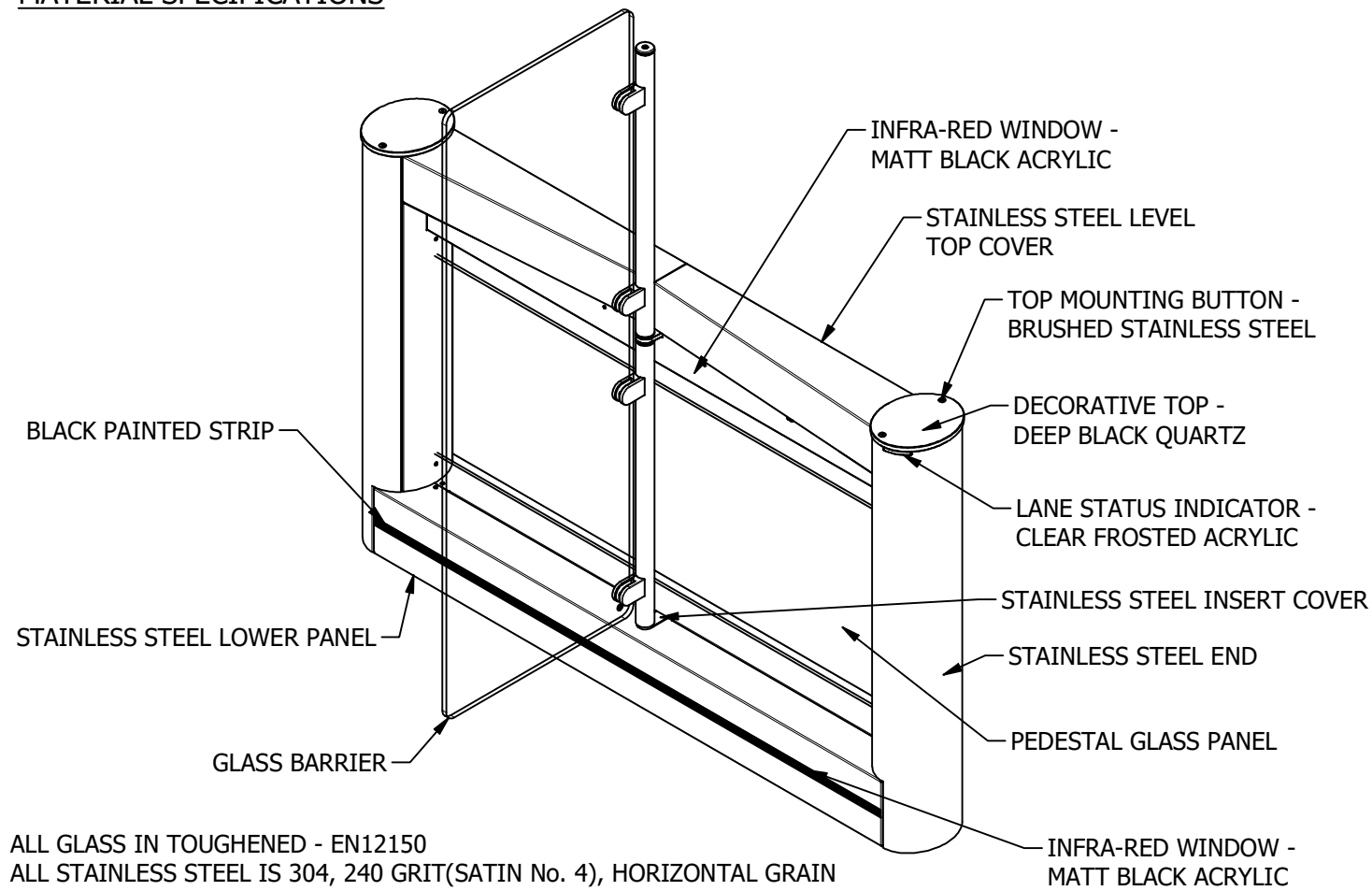
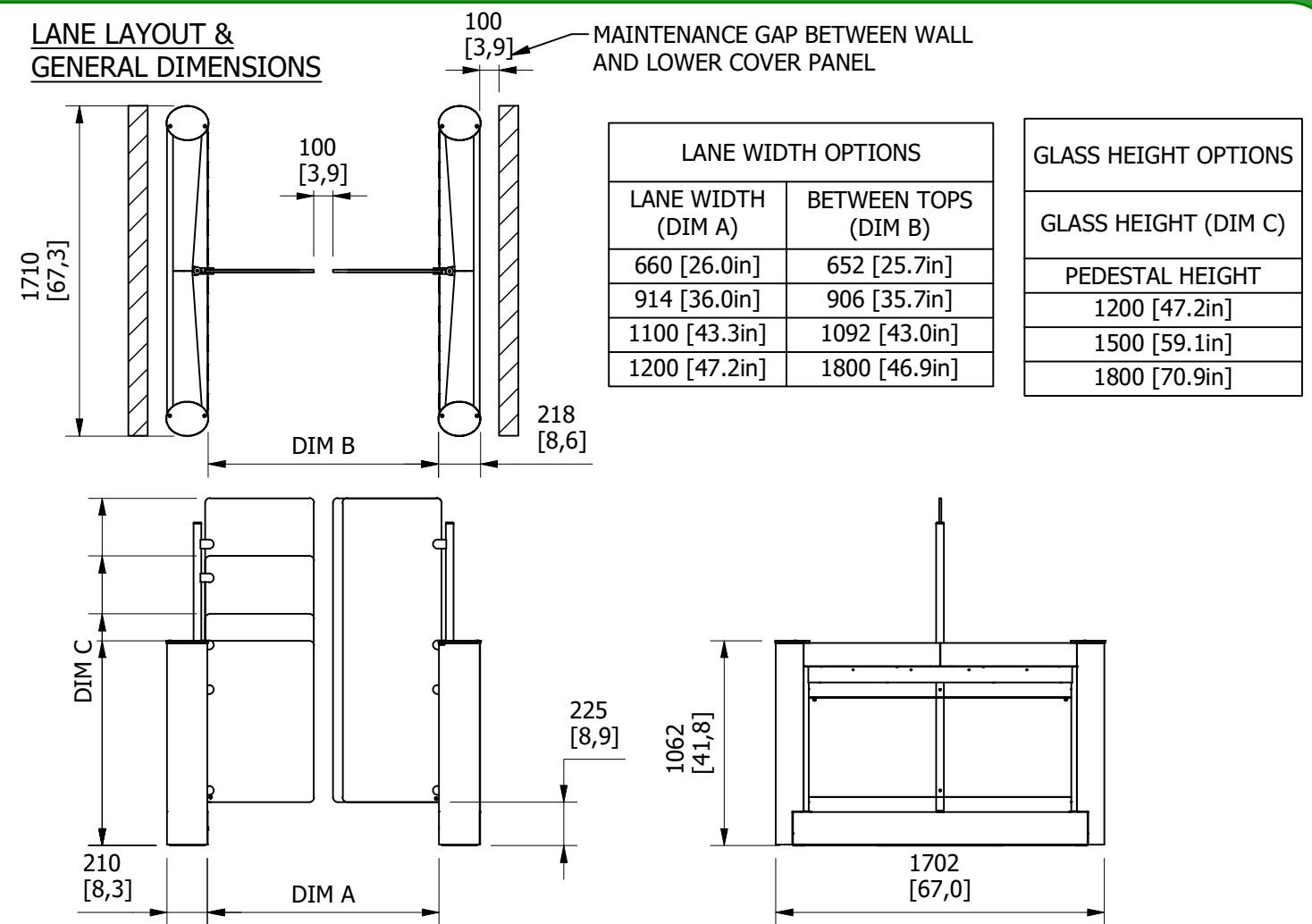


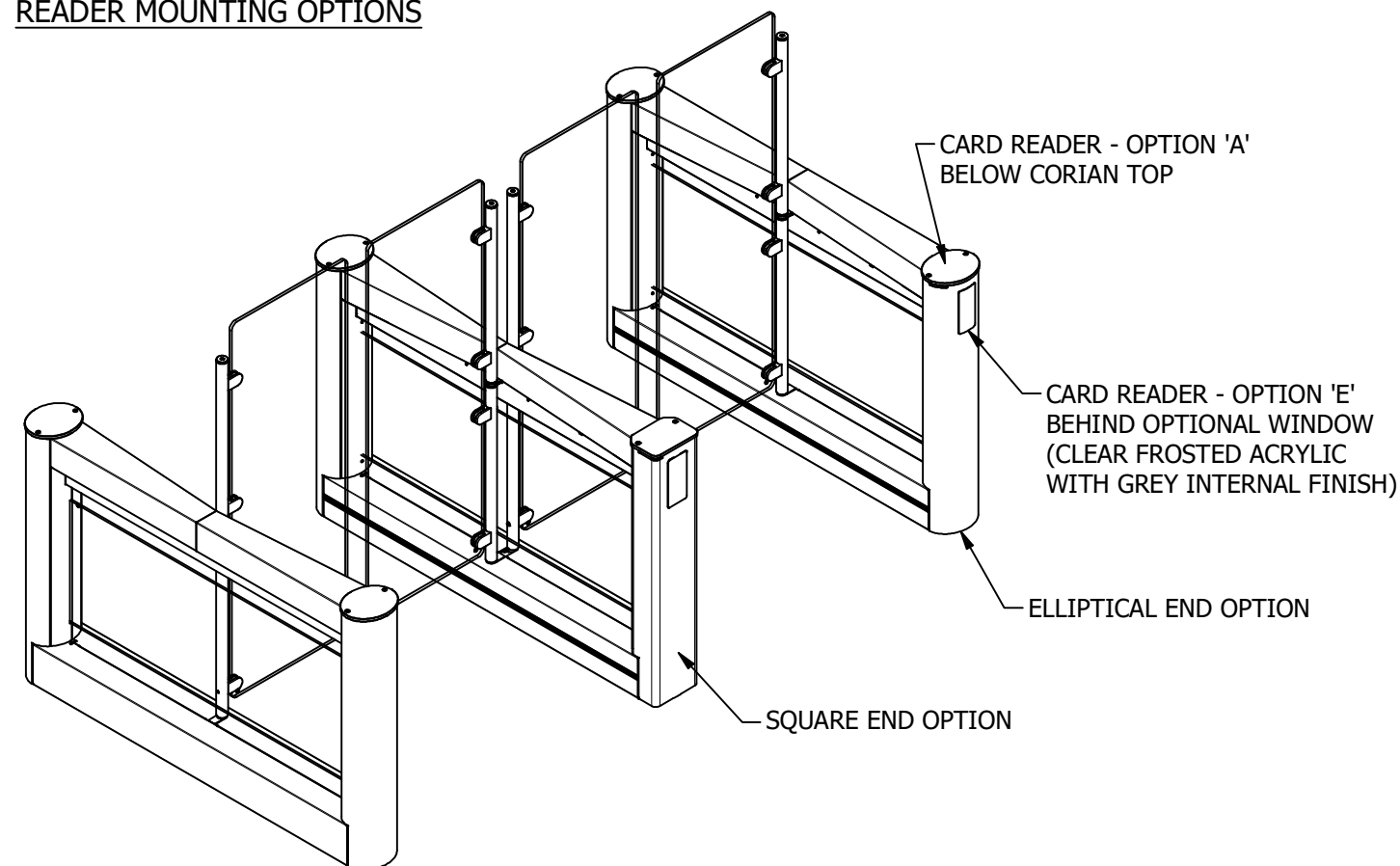
MATERIAL SPECIFICATIONS



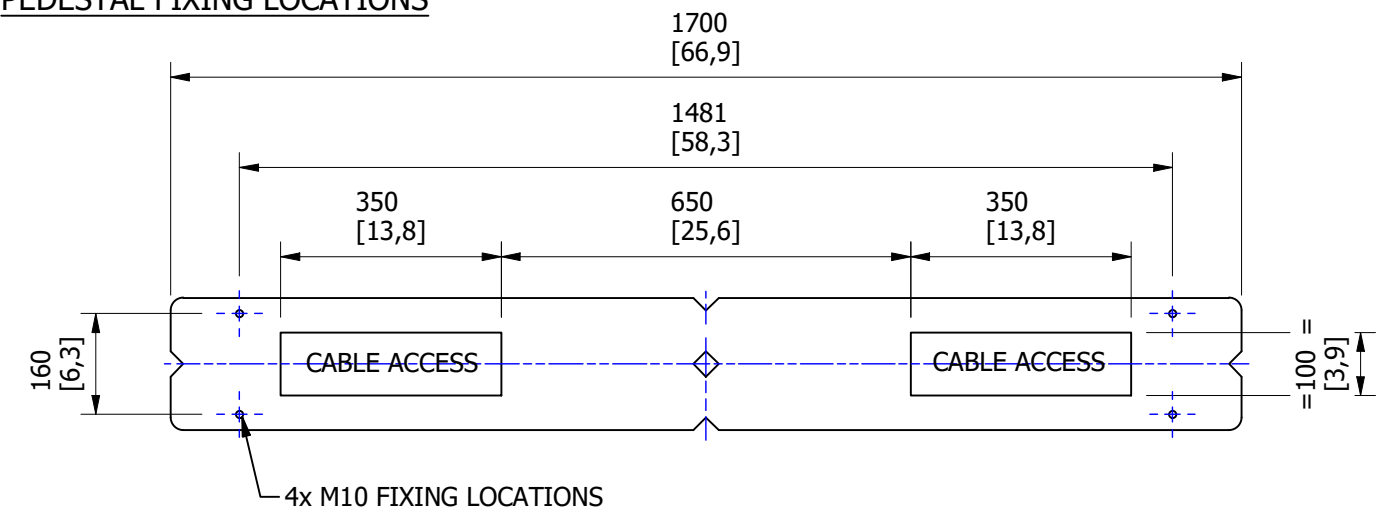
LANE LAYOUT & GENERAL DIMENSIONS



READER MOUNTING OPTIONS



PEDESTAL FIXING LOCATIONS



PRODUCT: GLASSGATE 400 PLUS

TITLE: GENERAL INFORMATION

DRAWING No: GG400 PLUS_A1

FOR SALES INFORMATION ONLY - SUBJECT TO CHANGE
 ALL DIMENSIONS ± 2mm
 This document is copyright of Integrated Design Ltd

