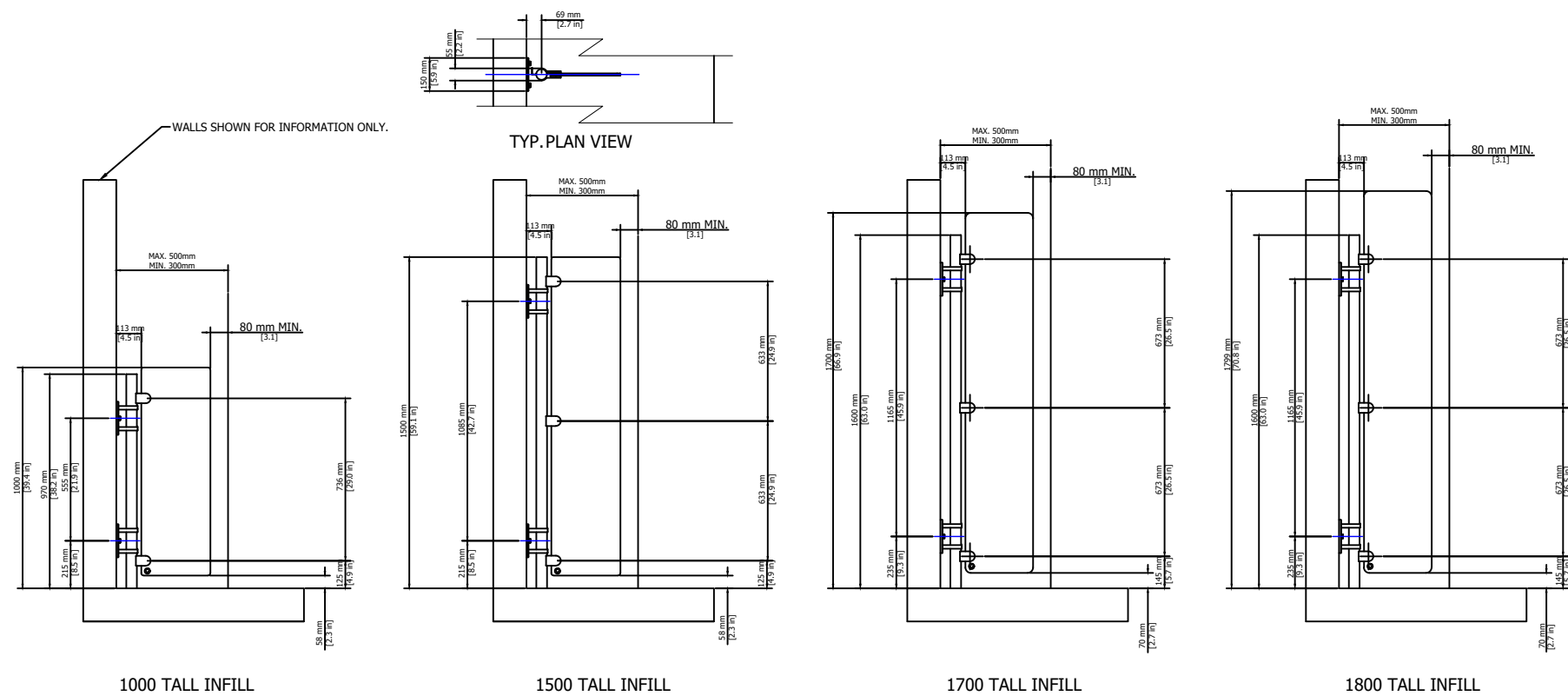
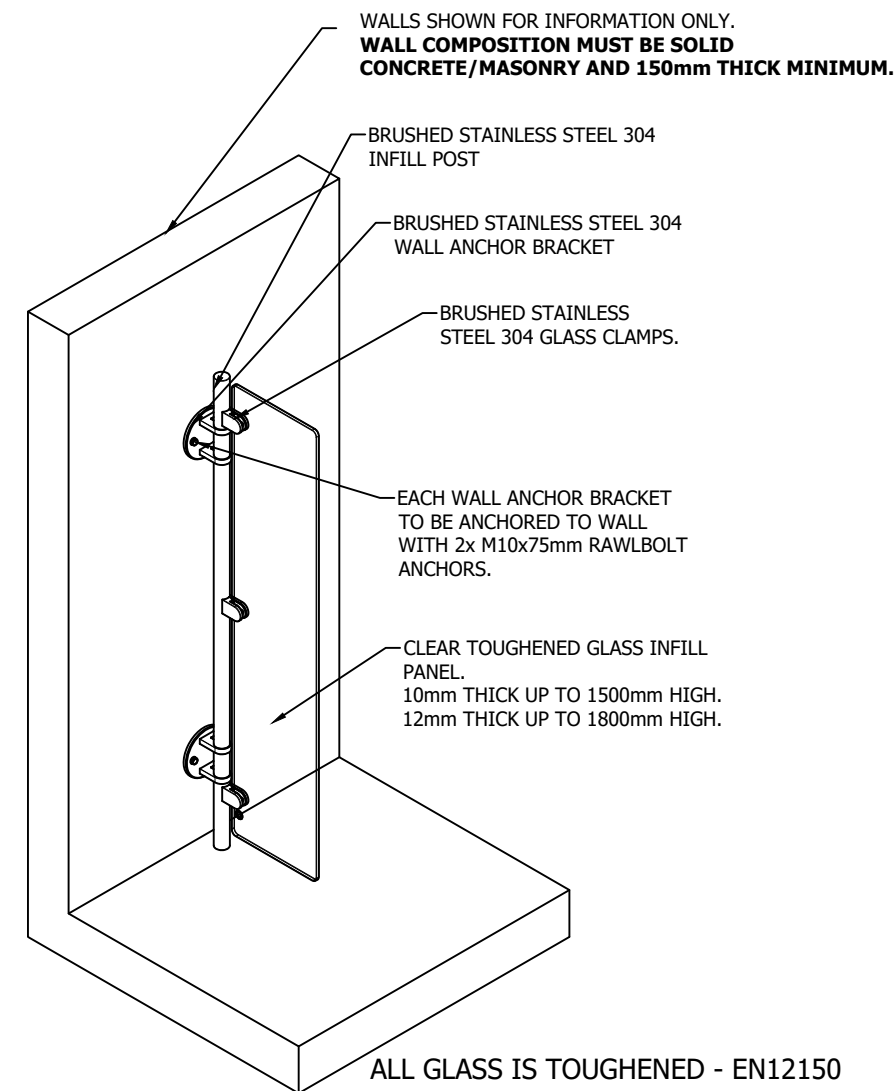


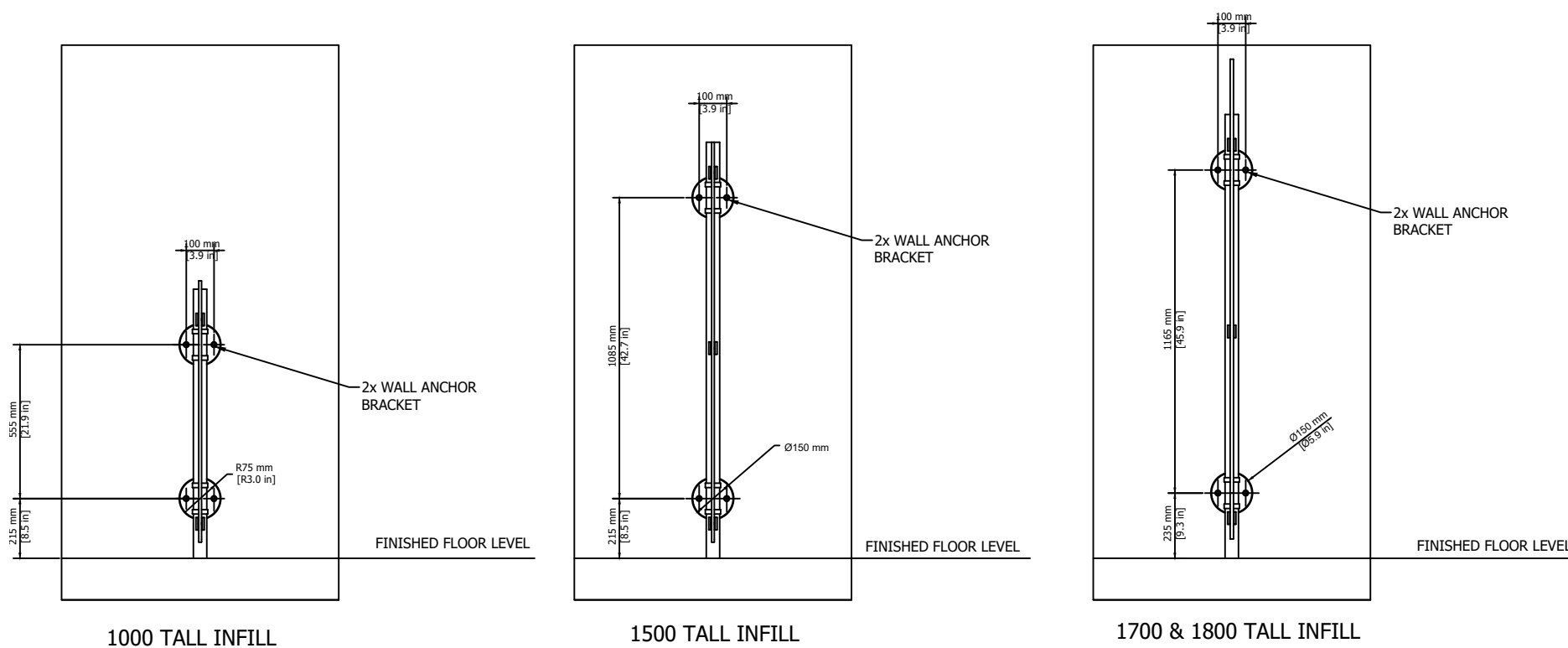
GENERAL DIMENSIONS



GENERAL MATERIAL SPECIFICATIONS



WALL FIXING POSITIONS



PRODUCT: WALL MOUNTED INFILL

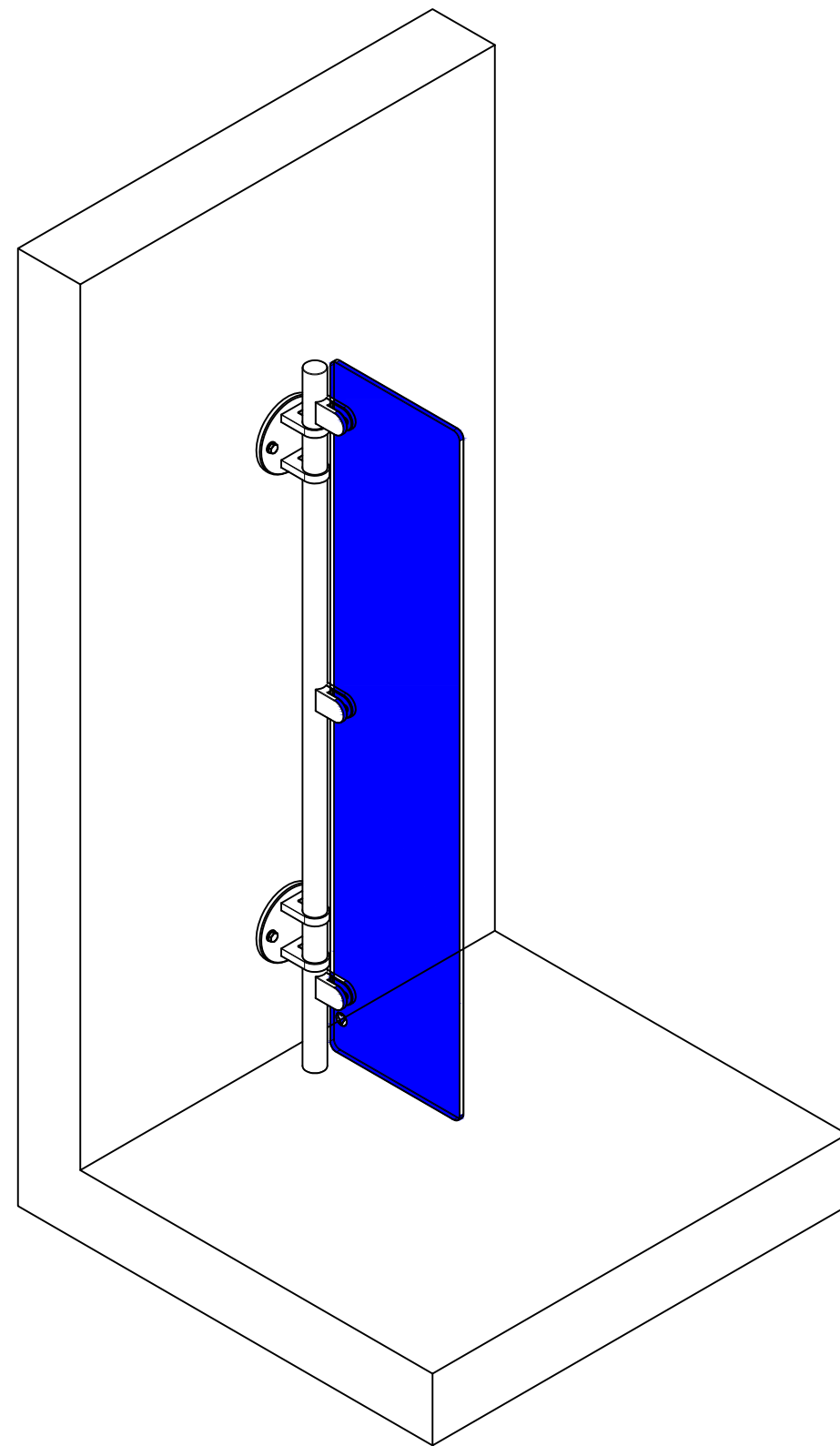
TITLE: GENERAL INFORMATION

DRAWING No: WALLINFILL\_A5

FOR SALES INFORMATION ONLY-SUBJECT TO CHANGE  
ALL DIMENSIONS NOMINAL

This document is the copyright of Integrated Design Ltd





**PRODUCT:** WALL MOUNTED INFILL

**TITLE:** SALES ILLUSTRATION

**DRAWING No:** WALLINFILL\_A5

FOR SALES INFORMATION ONLY-SUBJECT TO CHANGE  
ALL DIMENSIONS NOMINAL

This document is the copyright of Integrated Design Ltd

**F**

**fastlane**