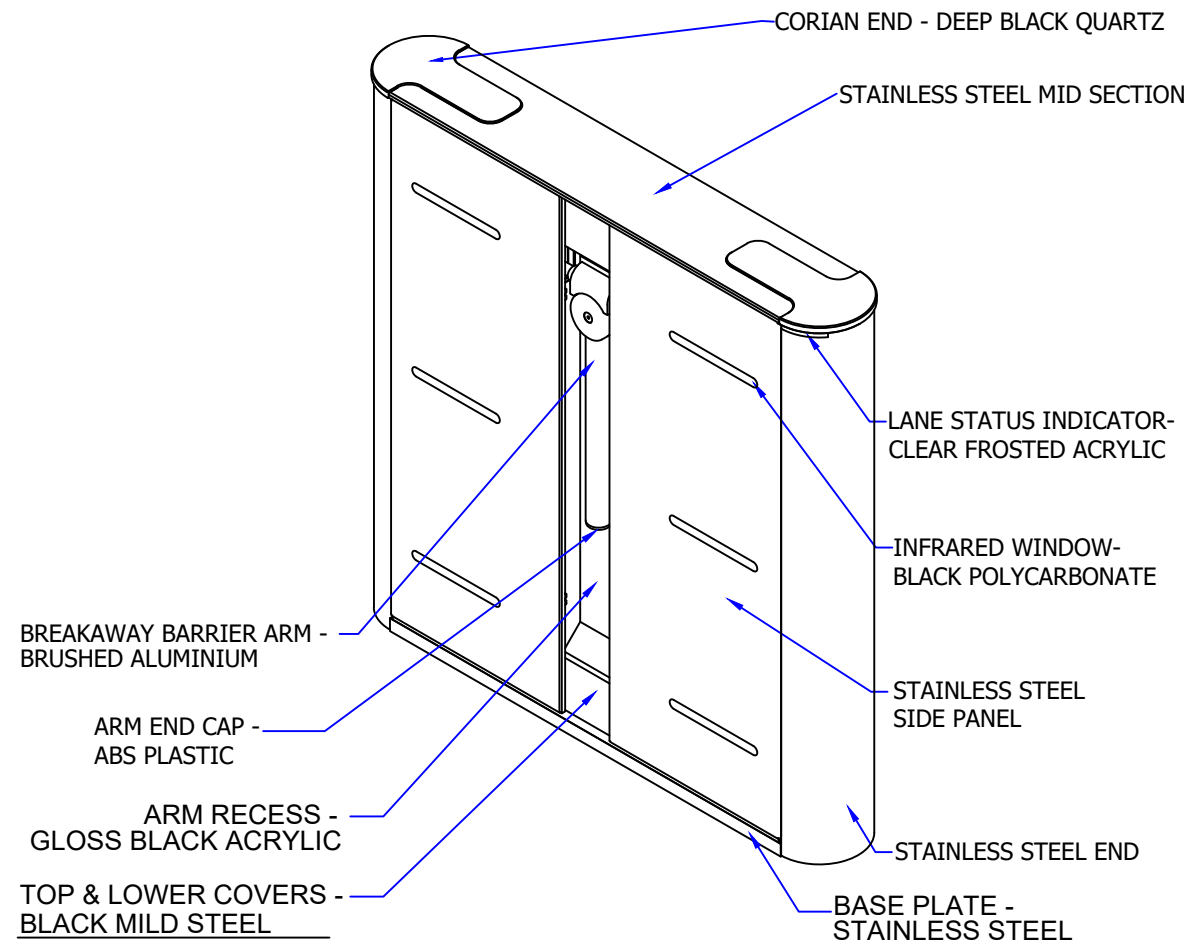
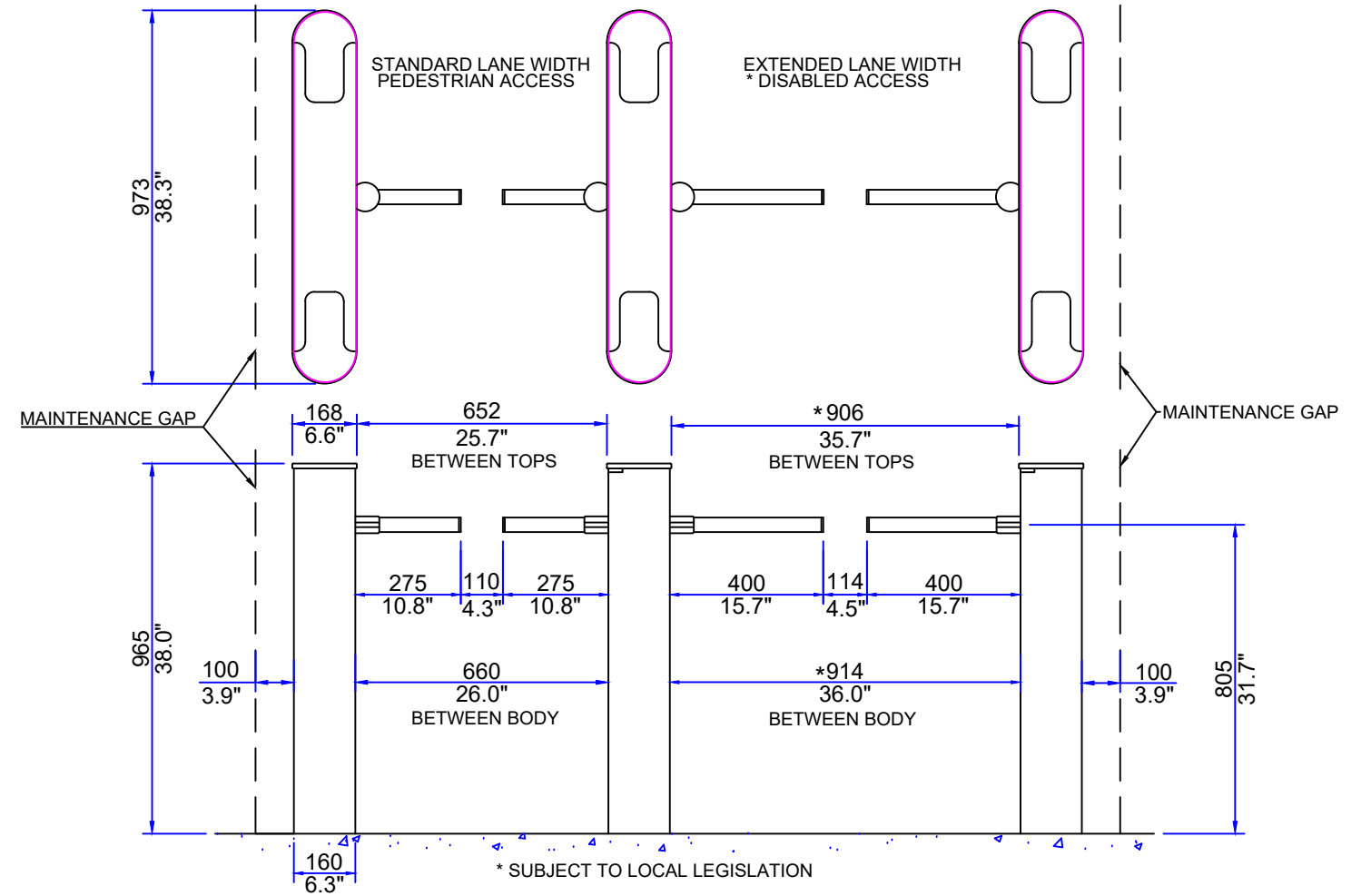


MATERIAL SPECIFICATION

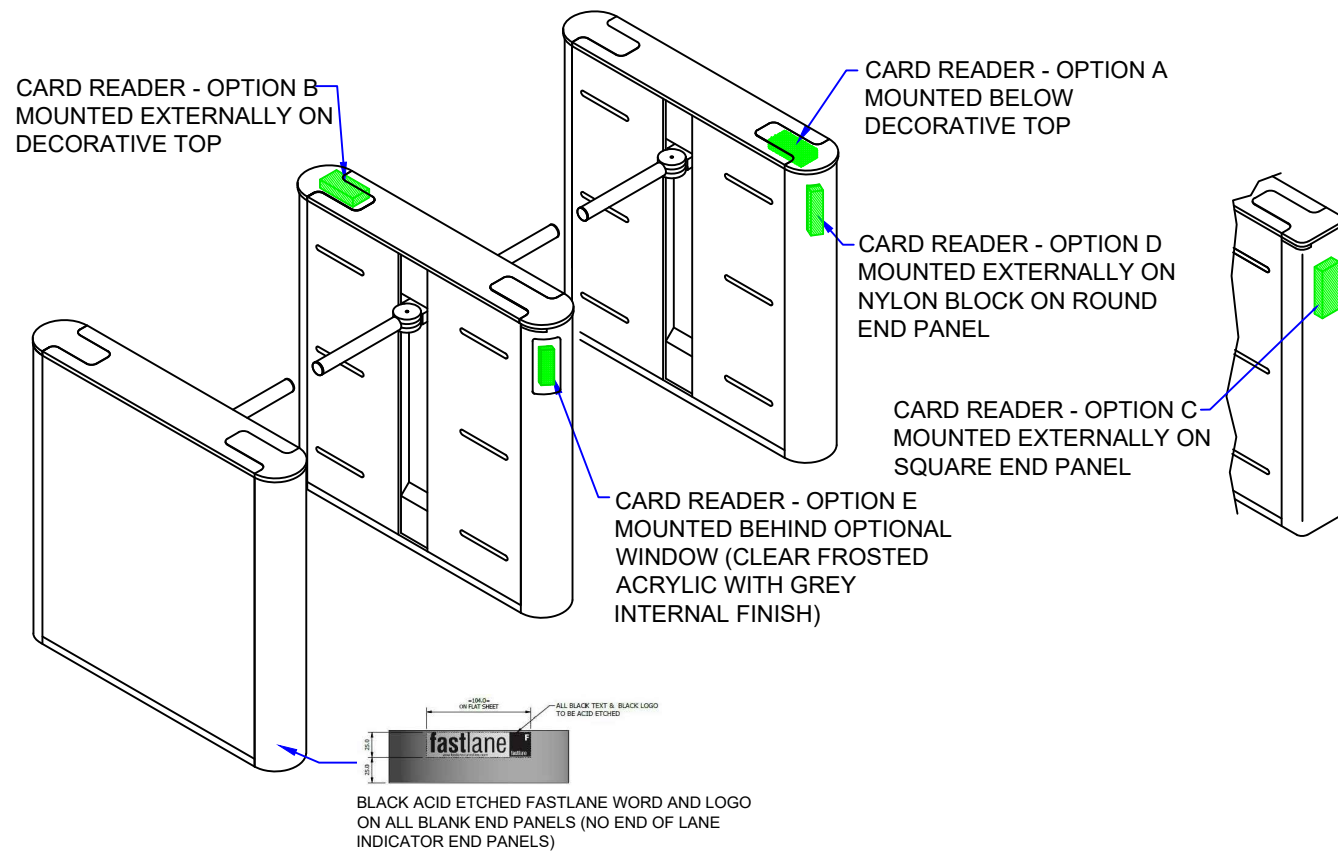


ALL STAINLESS STEEL IS 304, 240 GRIT (SATIN No. 4), HORIZONTAL GRAIN
 DECORATIVE TOP - STAINLESS STEEL AND CORIAN HAS 4mm OVERHANG

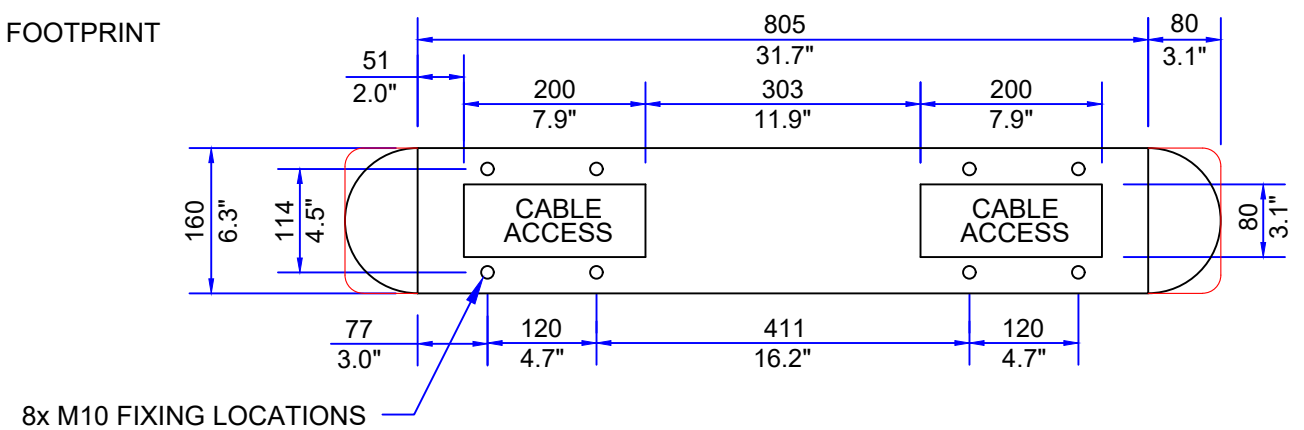
LANE LAYOUT & GENERAL DIMENSIONS



READER MOUNTING OPTIONS AND LOGO DETAILS



PEDESTAL FOOTPRINT



PRODUCT: FASTLANE PLUS 400 MA

TITLE: GENERAL INFORMATION

DRAWING No: FP400MA_A6

FOR SALES INFORMATION ONLY - SUBJECT TO CHANGE
 ALL DIMENSIONS +/-2mm

This document is the copyright of Integrated Design LTD

