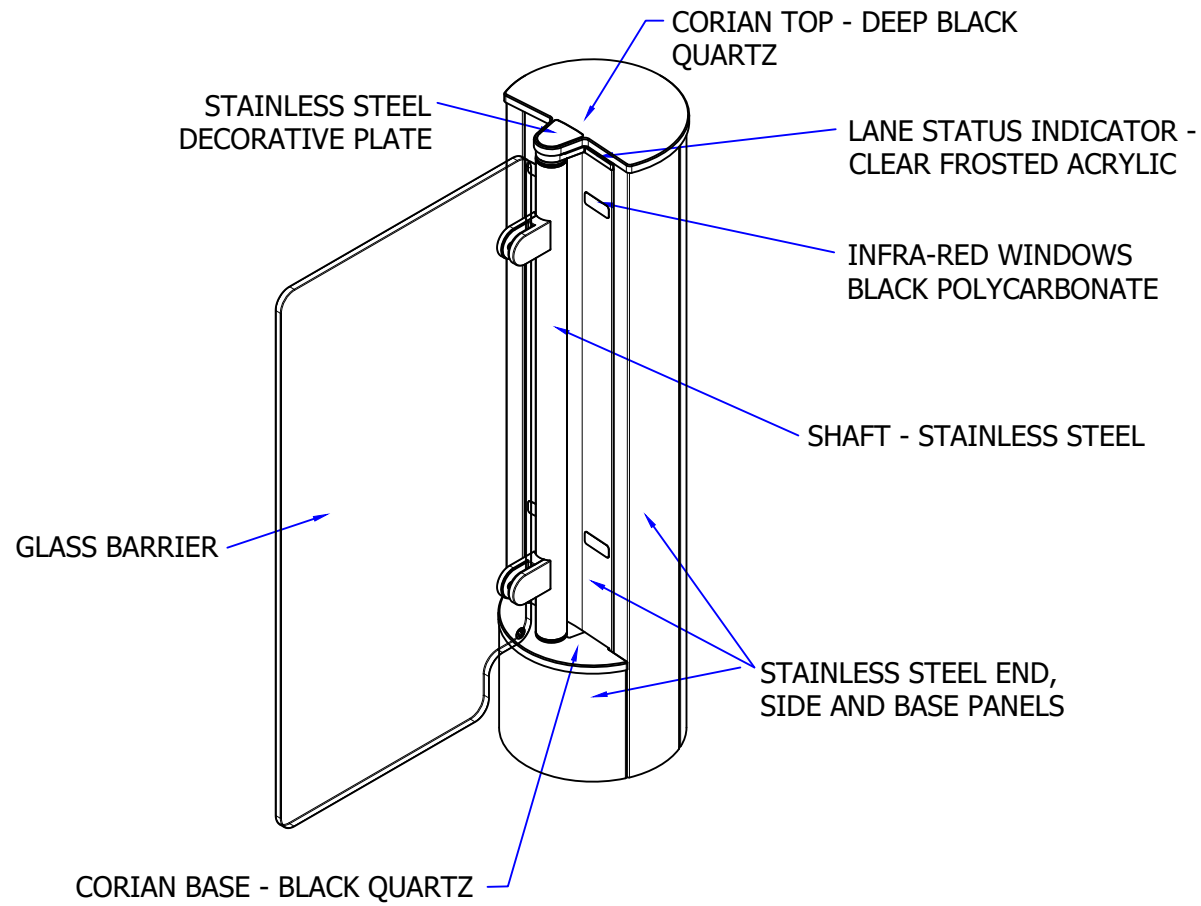
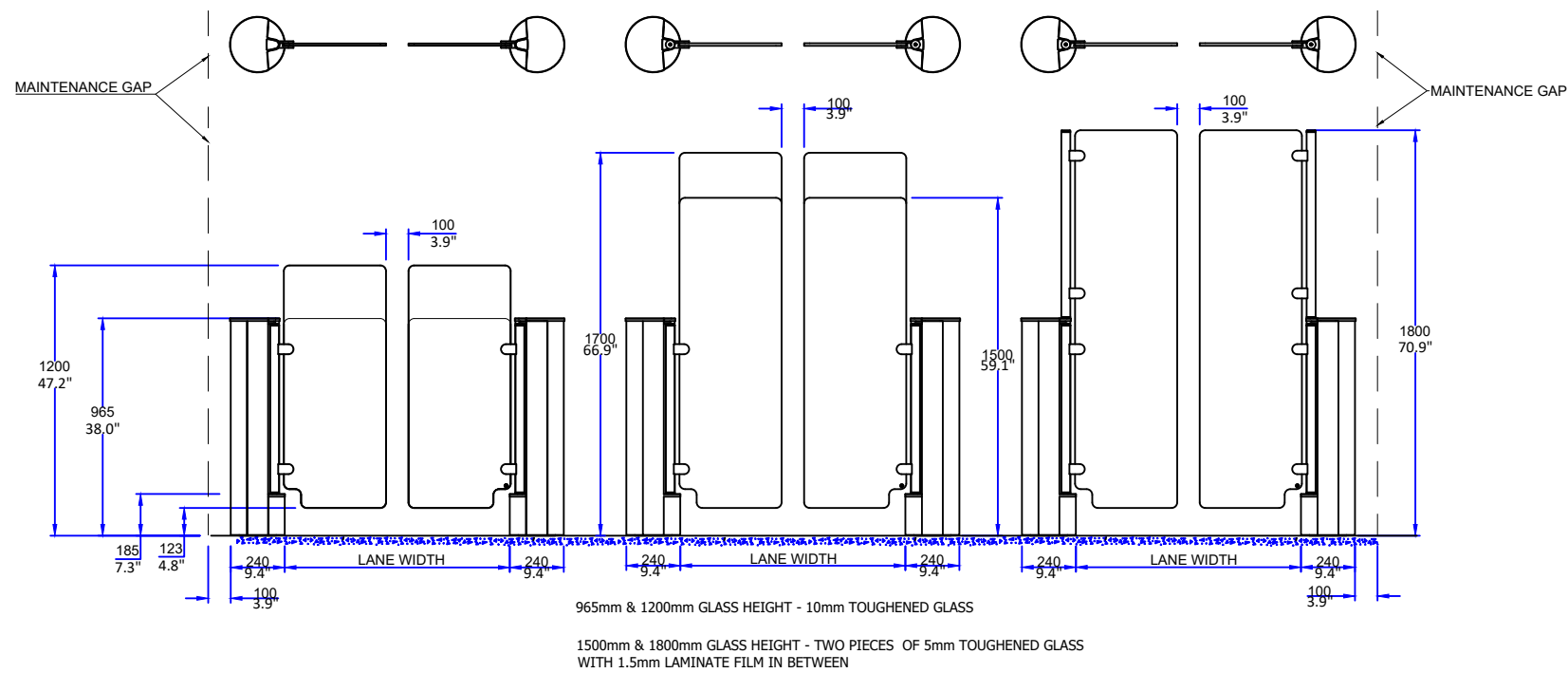


MATERIAL SPECIFICATIONS



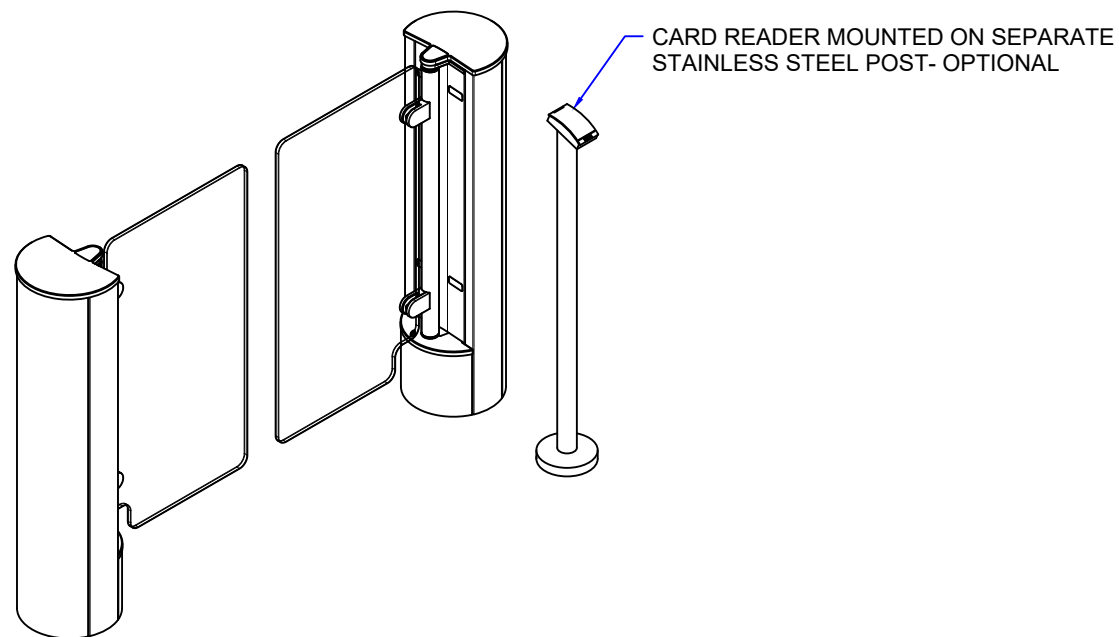
ALL STAINLESS STEEL IS 304, 240 GRIT (SATIN No. 4), HORIZONTAL GRAIN
 ALL GLASS IS TOUGHENED- EN 12150 / ANSI Z97.1

LANE LAYOUT & GENERAL DIMENSIONS

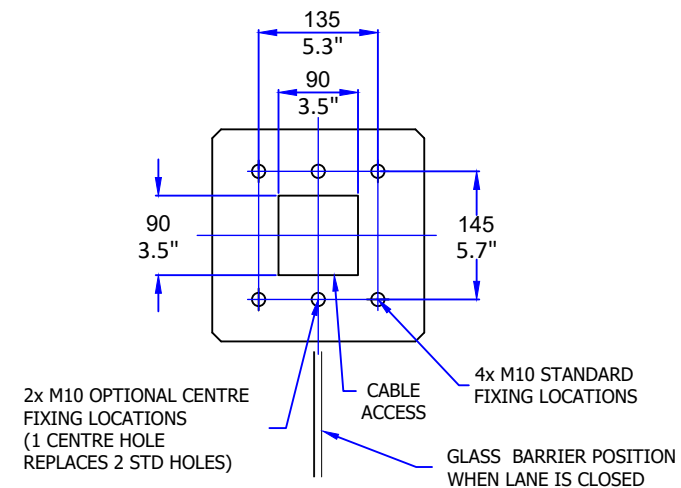


LANE WIDTH	HEIGHT OPTIONS				
	965mm	1200mm	1500mm	1700mm	1800mm
1000mm	965mm	1200mm	1500mm	1700mm	1800mm
1200mm	965mm	1200mm	1500mm	1700mm	1800mm
1400mm	965mm	1200mm			

READER DETAILS



PEDESTAL FOOTPRINT



PRODUCT: INTELLIGATE 300

TITLE: GENERAL INFORMATION

DRAWING No: INTELLIG300 V2_A7

FOR SALES INFORMATION ONLY-SUBJECT TO CHANGE
 ALL DIMENSIONS +/- 2MM

This document is the copyright of Integrated Design Ltd

