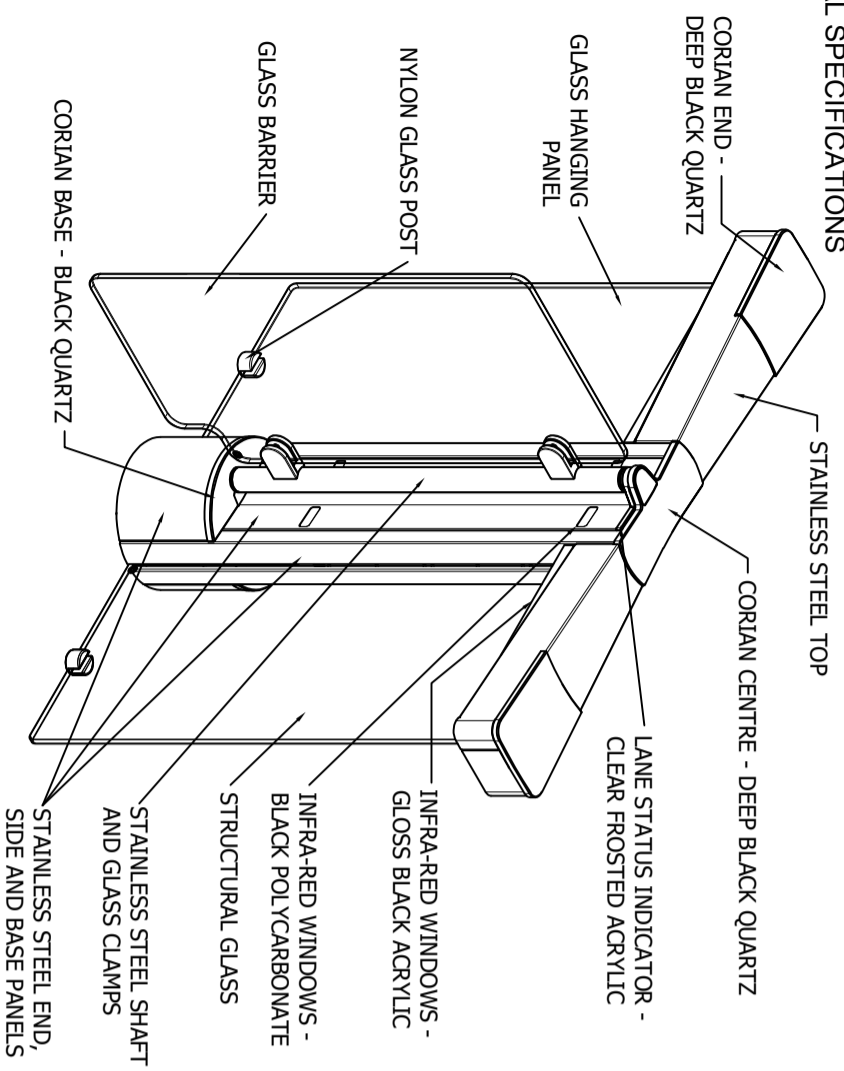


MATERIAL SPECIFICATIONS



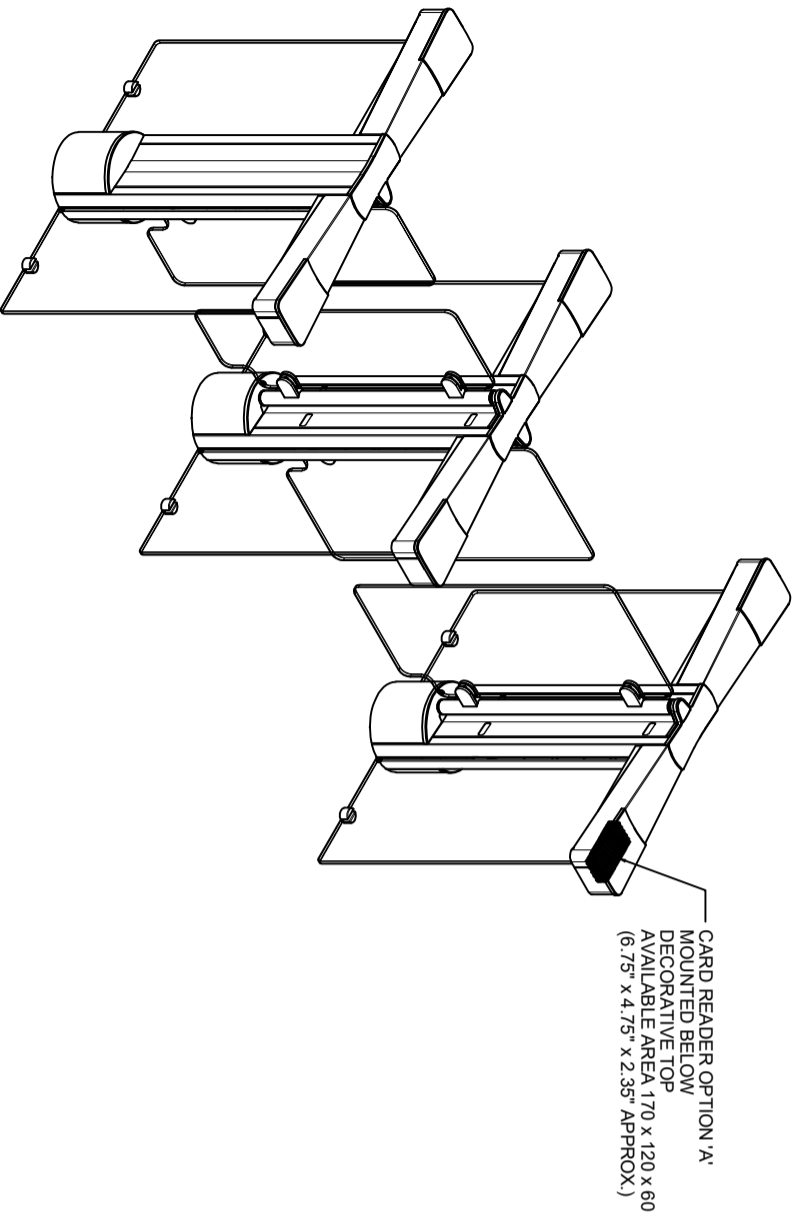
ALL STAINLESS STEEL IS 304, 240 GRIT (SATIN No. 4), HORIZONTAL GRAIN.

BARRIER GLASS:

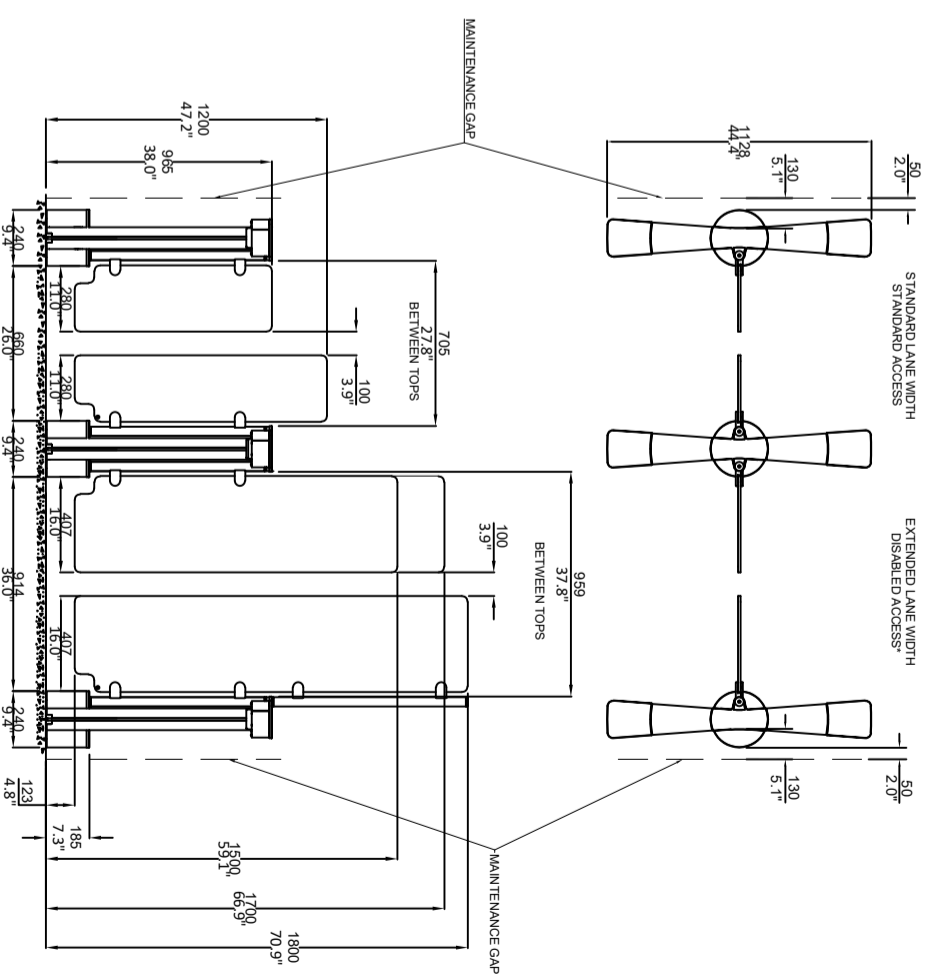
1. UP TO AND INCLUDING 1700mm TALL - 10mm THICK TOUGHENED TO BS EN12150.
2. 1800mm TALL - 12mm THICK TOUGHENED/LAMINATED TO BS EN12150 & BS EN14449

STRUCTURAL GLASS - 10mm THICK TOUGHENED/HEAT SOAKED TO BS EN12150 & BS EN14179

READER MOUNTING OPTIONS



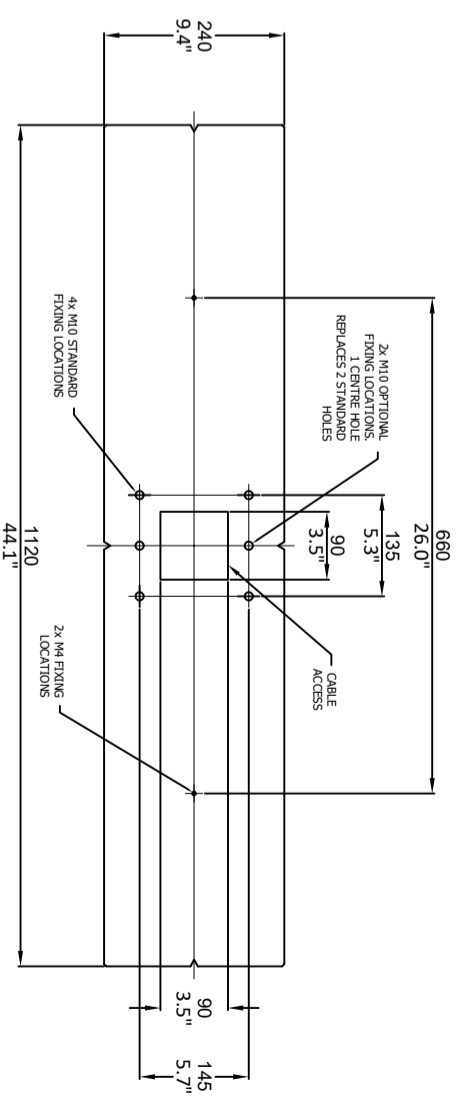
LANE LAYOUT & GENERAL DIMENSIONS



*SUBJECT TO LOCAL LEGISLATION

LANE WIDTH	HEIGHT OPTIONS			
660mm (STD ACCESS)	955mm	1200mm	1500mm	1800mm
914mm (DDA ACCESS)	955mm	1200mm	1500mm	1800mm

PEDESTAL FIXING LOCATIONS



PRODUCT: GLASSGATE 300 V2

TITLE: GENERAL INFORMATION

DRAWING No: GG300 V2_A9

FOR SALES INFORMATION ONLY-SUBJECT TO CHANGE
ALL DIMENSIONS +/- 2MM

This document is the copyright of Integrated Design Ltd

fastlane

F