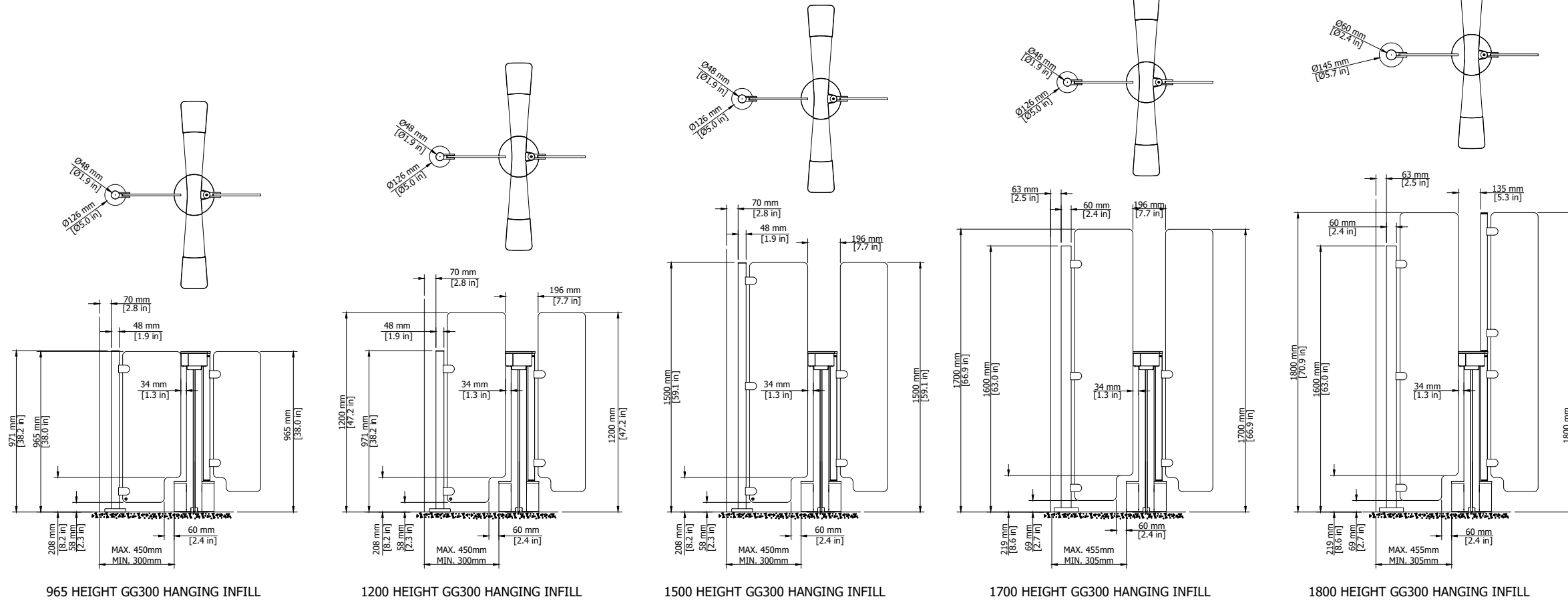


GENERAL DIMENSIONS



965 HEIGHT GG300 HANGING INFILL

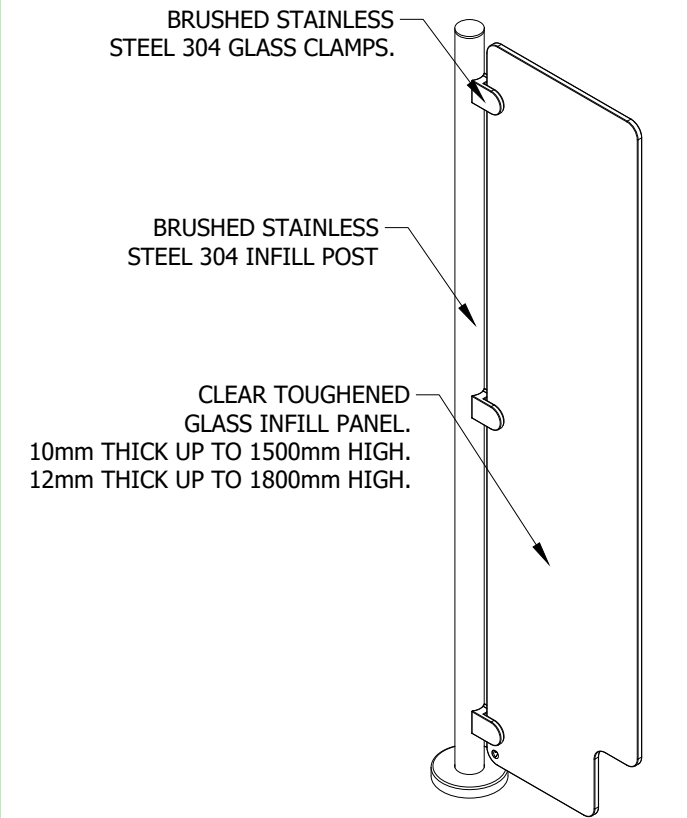
1200 HEIGHT GG300 HANGING INFILL

1500 HEIGHT GG300 HANGING INFILL

1700 HEIGHT GG300 HANGING INFILL

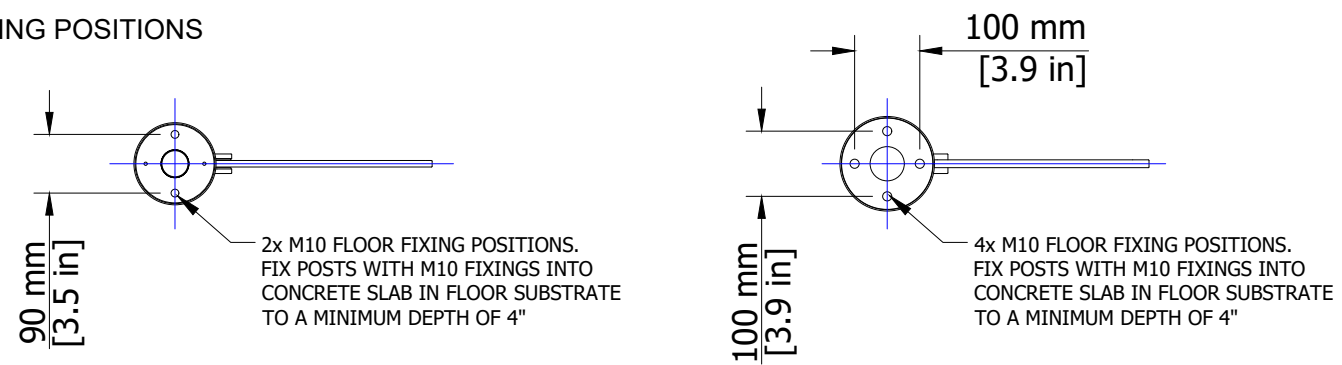
1800 HEIGHT GG300 HANGING INFILL

GENERAL MATERIAL SPECIFICATIONS



ALL GLASS IS TOUGHENED - EN12150

FIXING POSITIONS



2x M10 FLOOR FIXING POSITIONS. FIX POSTS WITH M10 FIXINGS INTO CONCRETE SLAB IN FLOOR SUBSTRATE TO A MINIMUM DEPTH OF 4"

4x M10 FLOOR FIXING POSITIONS. FIX POSTS WITH M10 FIXINGS INTO CONCRETE SLAB IN FLOOR SUBSTRATE TO A MINIMUM DEPTH OF 4"

FROM 965 TO 1500 HEIGHT GG300 HANGING INFILL

1700 & 1800 HEIGHT GG300 HANGING INFILL

PRODUCT: GG300 HANGING INFILL

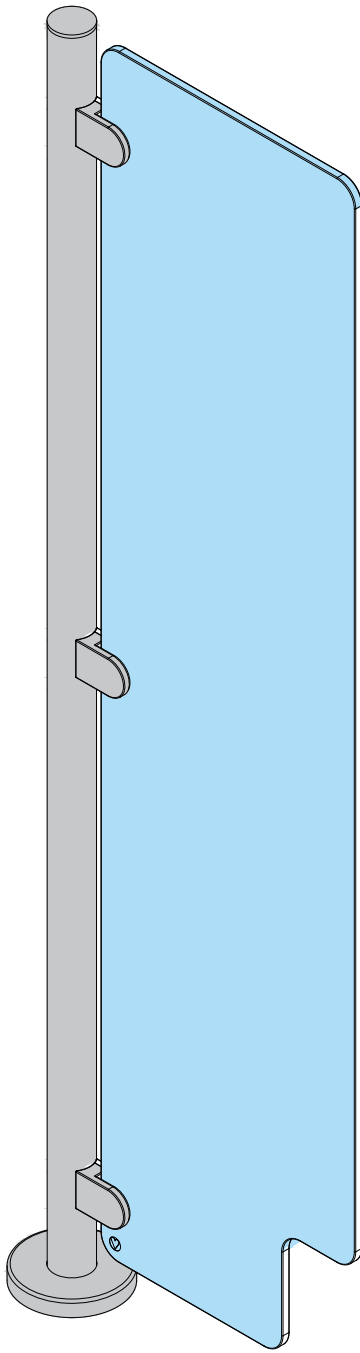
TITLE: GENERAL INFORMATION

DRAWING No: GG300INFILL_A2

FOR SALES INFORMATION ONLY-SUBJECT TO CHANGE ALL DIMENSIONS NOMINAL

This document is the copyright of Integrated Design Ltd





PRODUCT: GG300 HANGING INFILL

TITLE: SALES ILLUSTRATION

DRAWING No: GG300INFILL_A1

FOR SALES INFORMATION ONLY-SUBJECT TO CHANGE
ALL DIMENSIONS NOMINAL

This document is the copyright of Integrated Design Ltd

F

fastlane