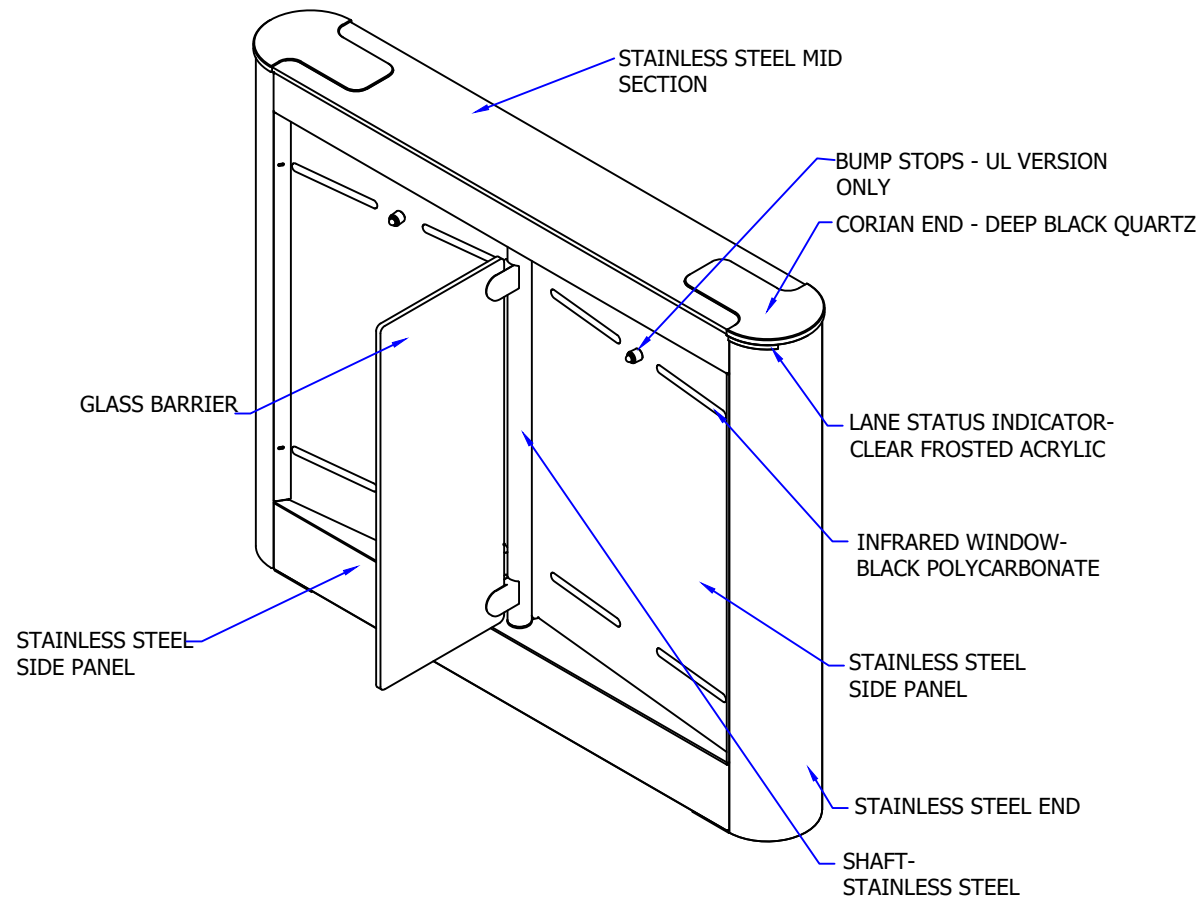
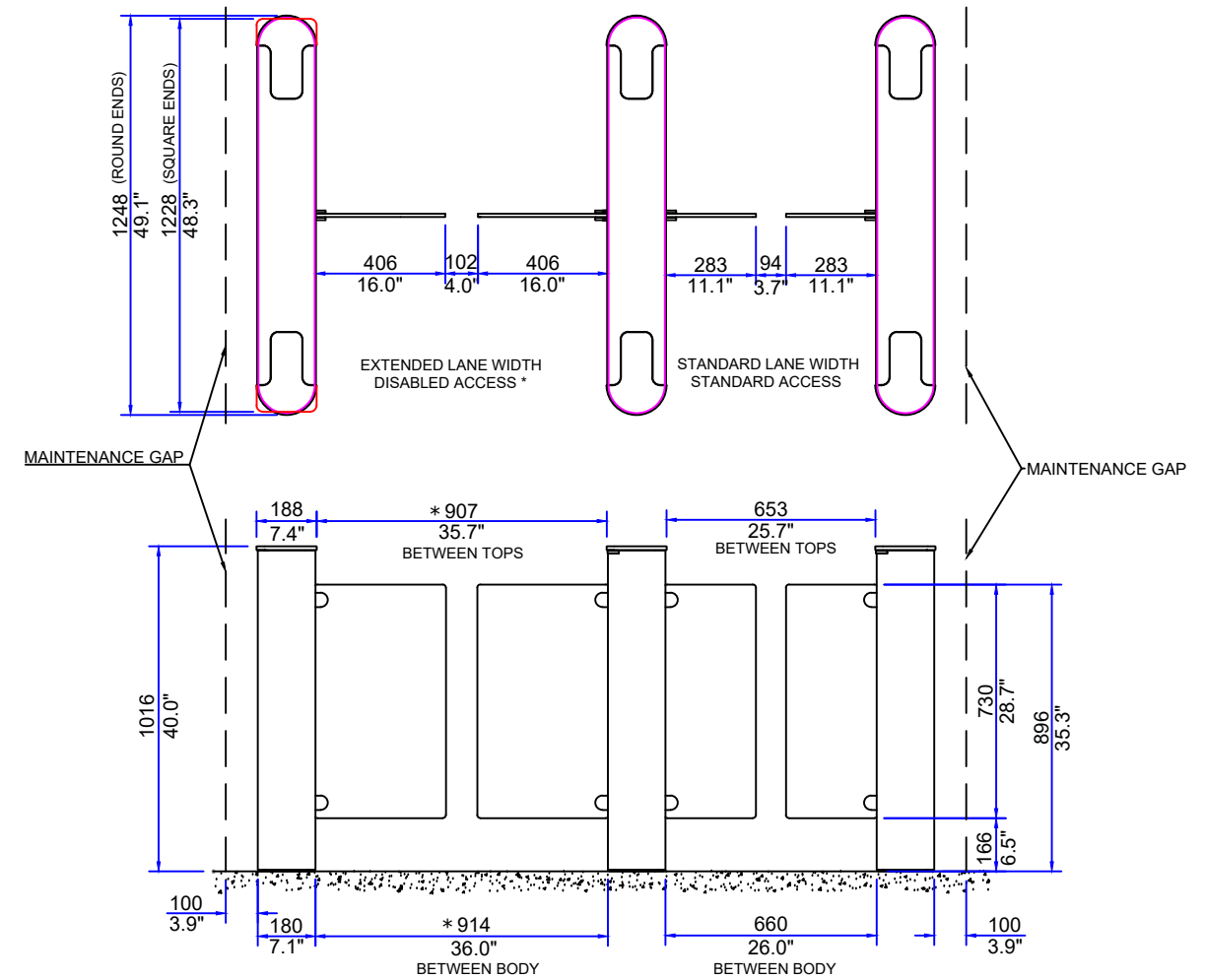


## MATERIAL SPECIFICATION



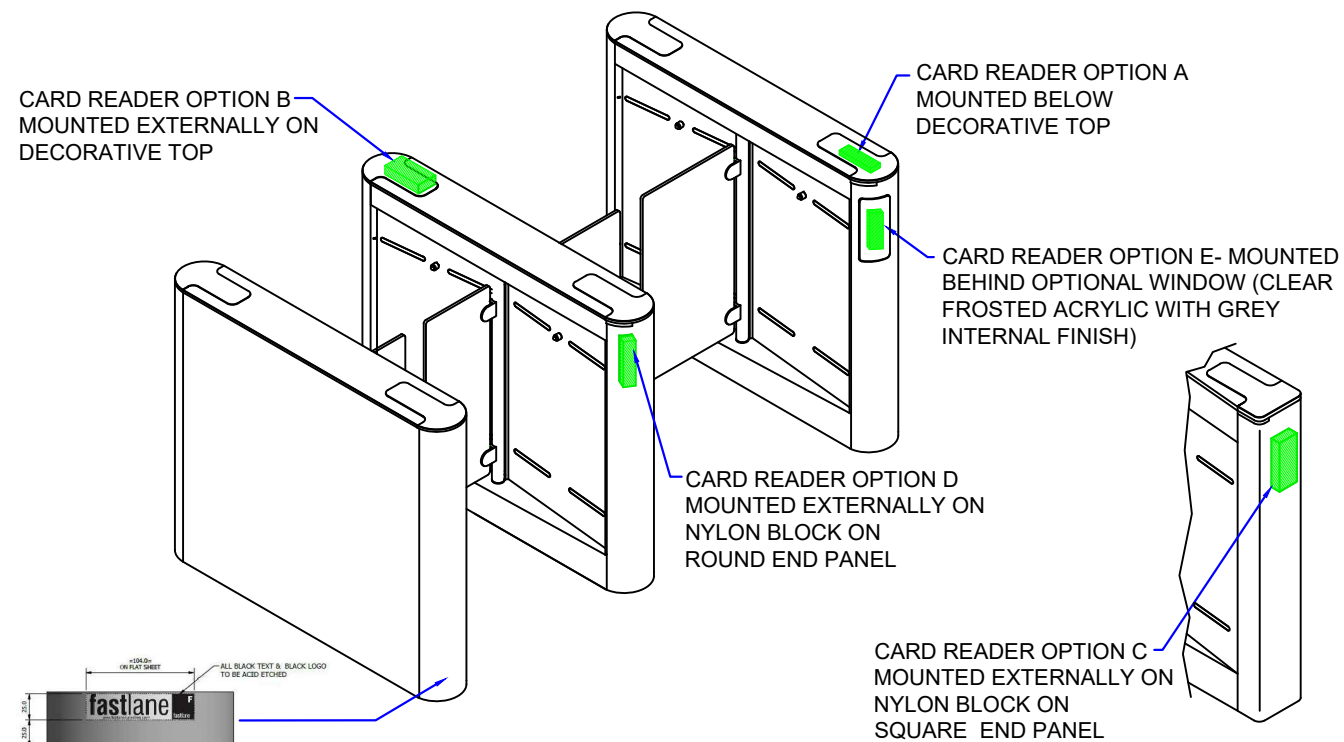
ALL GLASS IS TOUGHENED- EN 12150 / ANSI Z97.1  
 ALL STAINLESS STEEL IS 304, 240 GRIT (SATIN No. 4), HORIZONTAL GRAIN  
 DECORATIVE TOP - STAINLESS STEEL AND CORIAN HAS 4mm OVERHANG

## LANE LAYOUT & GENERAL DIMENSIONS



\*SUBJECT TO LOCAL LEGISLATION

## READER MOUNTING OPTIONS AND LOGO DETAILS

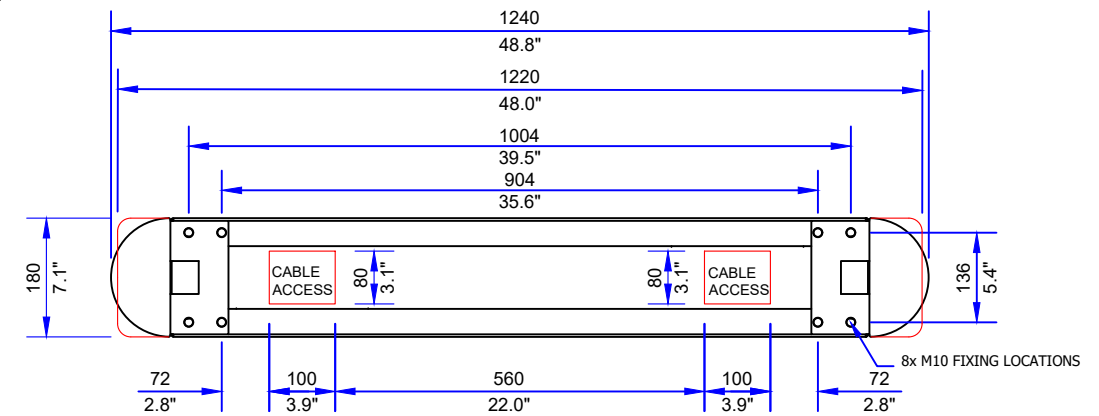


100mm ON FLAT SURF  
 ALL BLACK TEXT & BLACK LOGO TO BE ACID ETCHED

fastlane

BLACK ACID ETCHED FASTLANE WORD AND LOGO ON ALL BLANK END PANELS (NO END OF LANE INDICATOR END PANELS)

## PEDESTAL FOOTPRINT



PRODUCT: GLASSGATE 250

TITLE: GENERAL INFORMATION

DRAWING No: GG250\_A9

FOR SALES INFORMATION ONLY-SUBJECT TO CHANGE  
 ALL DIMENSIONS +/-2mm

This document is the copyright of Integrated Design LTD

