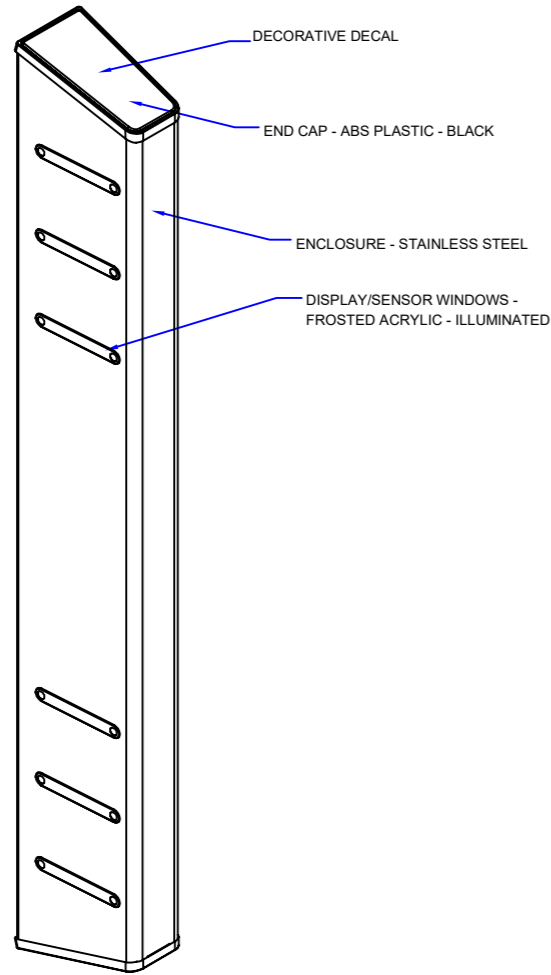
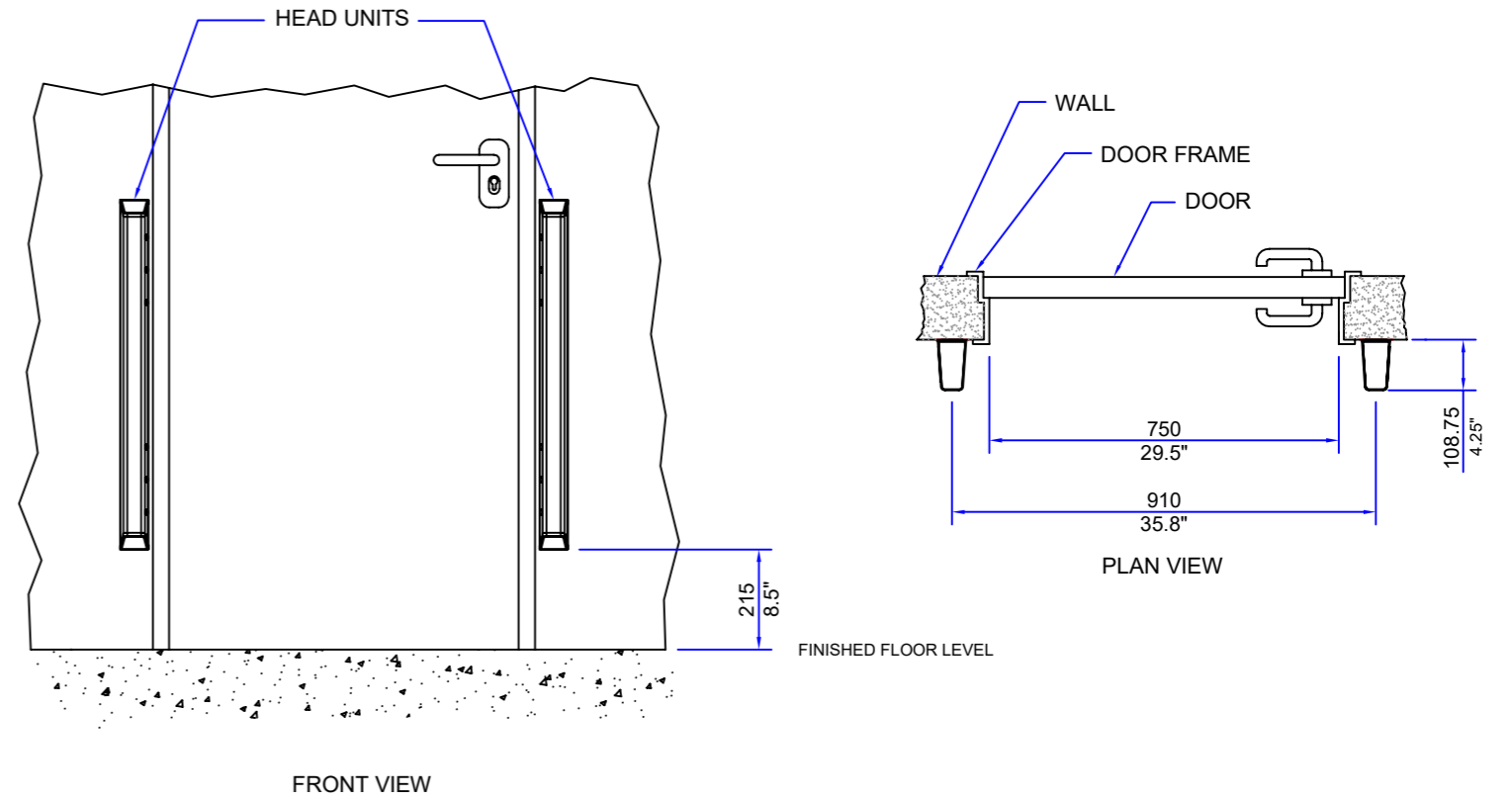


MATERIAL SPECIFICATIONS

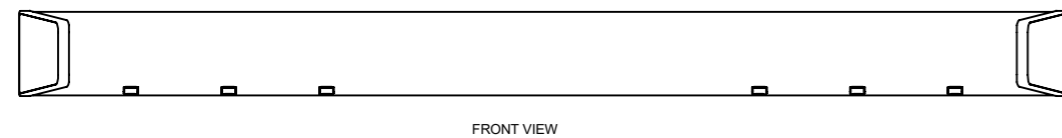


ALL STAINLESS STEEL IS 304, 240 GRIT (SATIN No. 4), HORIZONTAL GRAIN

LANE LAYOUT

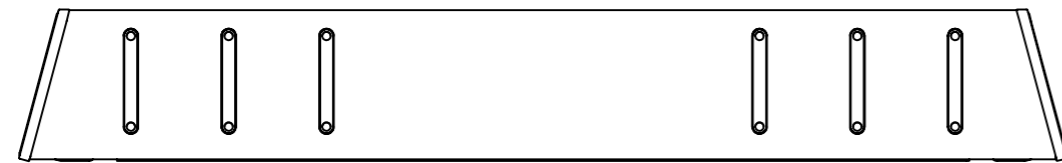


PRODUCT DIMENSIONS



61.0  
2.4"

OVERALL WIDTH

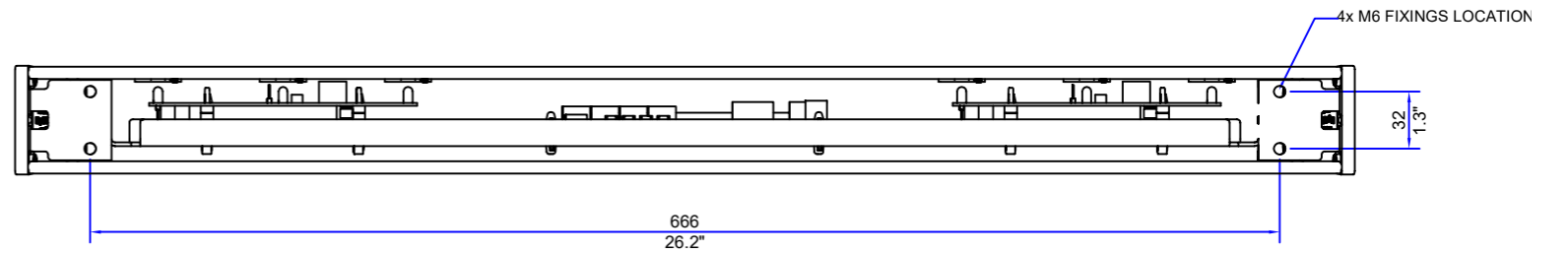


750  
29.5"

OVERALL

OVERALL

MOUNTING DETAILS



**PRODUCT: DOOR DETECTIVE PLUS**

**TITLE: GENERAL INFORMATION**

**DRAWING No: DD\_PLUS\_A2**

FOR SALES INFORMATION ONLY-SUBJECT TO CHANGE  
ALL DIMENSIONS +/-2mm

This document is the copyright of Integrated Design LTD

