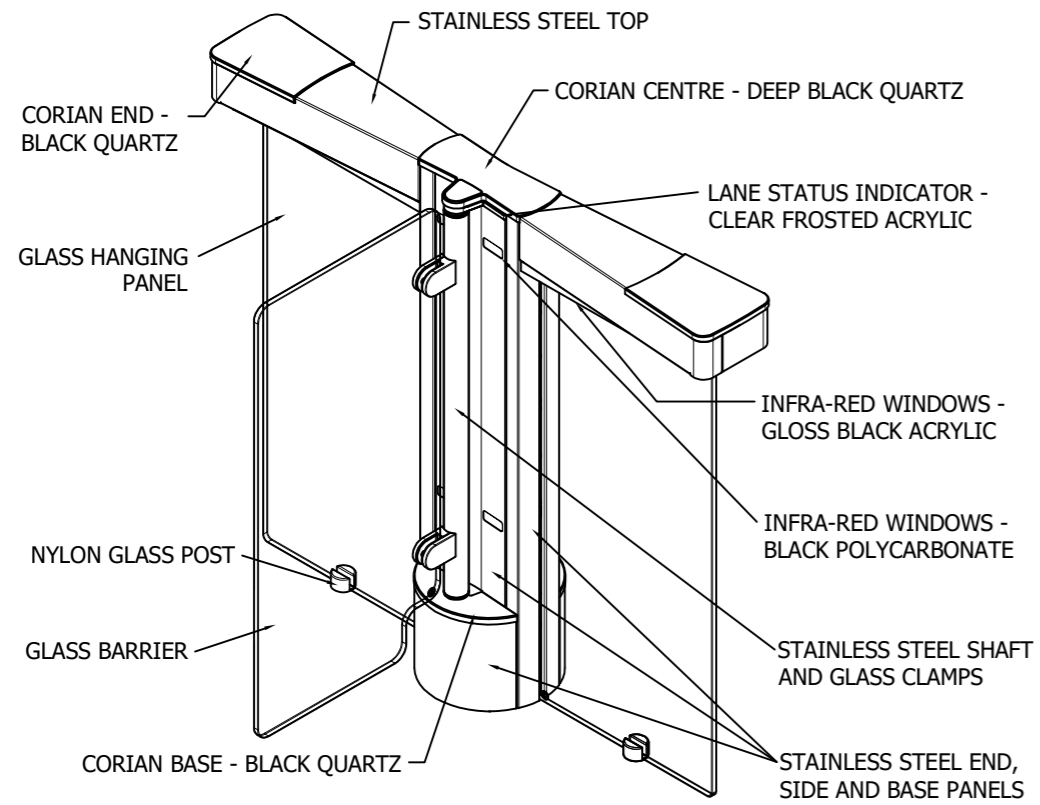
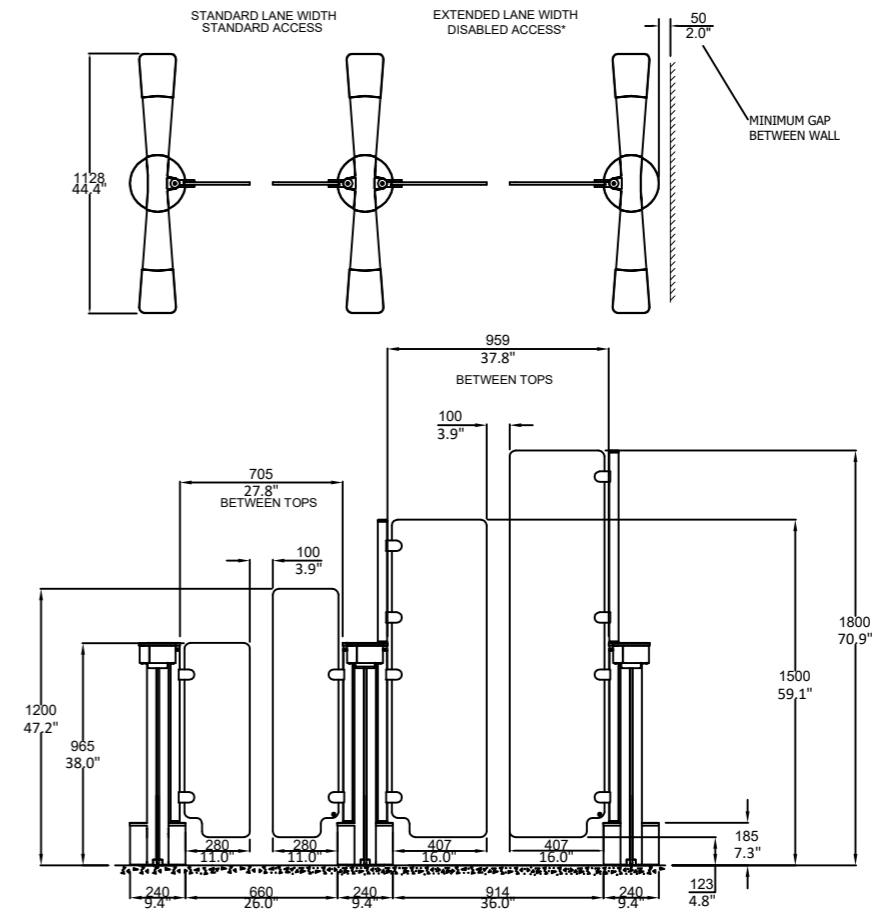


MATERIAL SPECIFICATIONS



ALL GLASS IS TOUGHENED - EN14179
 ALL STAINLESS STEEL IS 304, 240 GRIT (SATIN No. 4), HORIZONTAL GRAIN

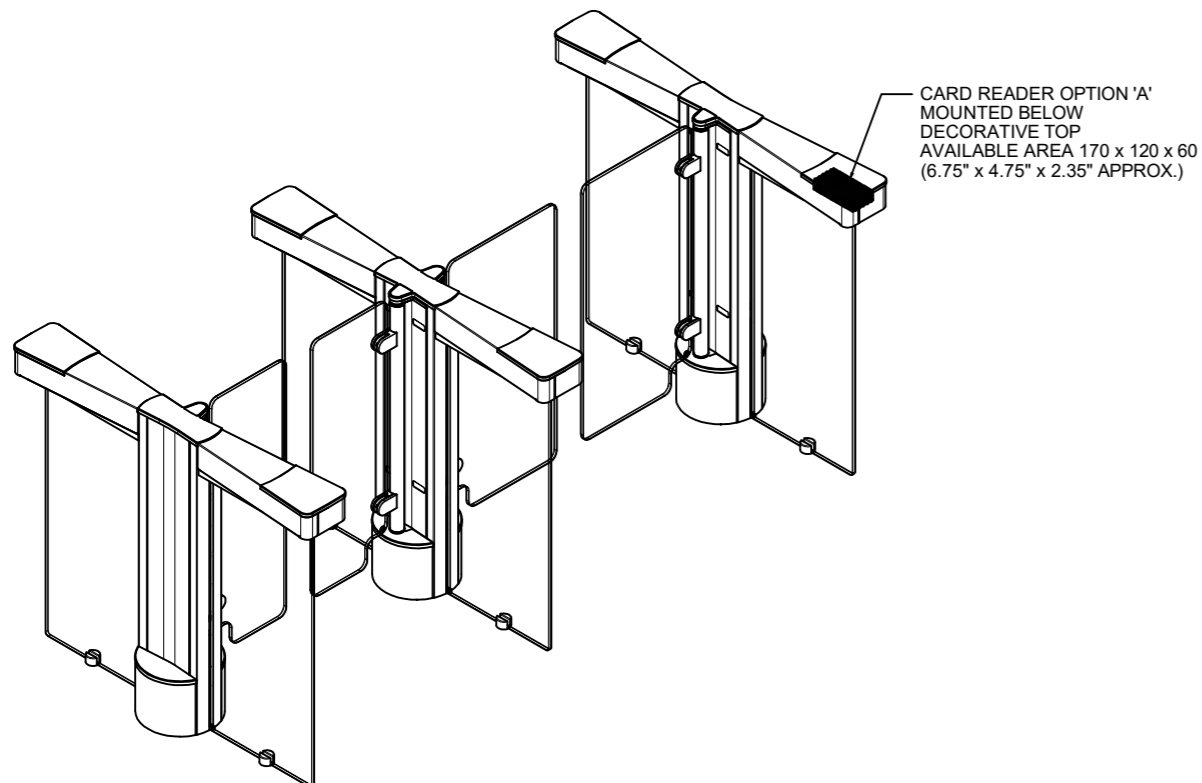
LANE LAYOUT & GENERAL DIMENSIONS



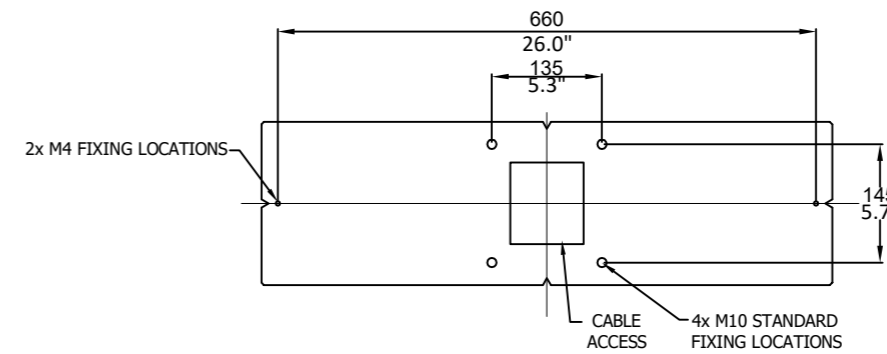
*SUBJECT TO LOCAL LEGISLATION

LANE WIDTH	HEIGHT OPTIONS			
660mm (STD ACCESS)	965mm	1200mm	1500mm	1800mm
914mm (DDA ACCESS)	965mm	1200mm	1500mm	1800mm

READER MOUNTING OPTIONS



PEDESTAL FIXING LOCATIONS



PRODUCT: GLASSGATE 300 V2

TITLE: GENERAL INFORMATION

DRAWING No: GG300 V2_A5

FOR SALES INFORMATION ONLY-SUBJECT TO CHANGE
 ALL DIMENSIONS +/- 2MM

This document is the copyright of Integrated Design Ltd

