

Speedgates

## Fastlane® Glassgate 300

Glassgate models

150 | 200 | 250 | **300** | 400


### Elegance and intelligence, defined

Fastlane Glassgate 300 has a strikingly unique design with a minimal frame, glass sides, and variable-height barriers. It features advanced optical technology with bidirectional swinging glass gates for rapid throughput and intelligent tailgate detection. With Fastlane, security has never looked so inviting.

**BARRIER TYPE**

GLASS ARM OPTICAL

**FOOTPRINT**





#### Advanced intelligence

Fastlane turnstiles have an advanced architecture based on distributed intelligence. An infrared beam matrix engineered with multiple microprocessors monitors pedestrian movement with pinpoint accuracy, detecting tailgaters as close as 1/4" apart. Inherently more secure, this technology also enables the fastest entry and minimizes false alarms.

#### IP enabled

Glassgate 300 features Fastlane Connect™, an IP communication and control system that enables Web-based turnstile control from any PC, tablet, smartphone, or from Fastlane's Multilane Controller.

#### Operation

Glassgate is designed to work in a normally closed mode, opening only after an access system approval. The glass barrier swings away from an authorized user. Barriers then either:

- > Close quickly behind the authorized person to deter tailgaters
- > Stay open for immediate additional authorized users passing in either direction

Glassgate will automatically sound a local alarm if someone enters without authorization.

- > Efforts to push past the glass barrier will sound a second, louder alarm
- > A secondary relay can trigger CCTV, lock doors, or control elevators
- > Optional locking break for more secure environments

#### User-friendly and safe

Fastlane Speedgates feature up to 8 safety beams designed to stop the barriers from moving in the event that any of the beams are broken. The units feature a fire alarm input to allow for unimpeded emergency egress and the units can be configured to fail safe in the event of power fail.



#### High security

Advanced technology for superior entry control

- > Detects tailgaters following behind authorized personnel
- > Glass barriers are a visual and physical deterrent



#### Pinpoint accuracy

Intelligence virtually eliminates false alarms

- > Differentiates body mass from smaller objects
- > Increases acceptance, avoiding guard tune out



#### Unsurpassed throughput

Greater return on investment

- > High processing speed reduces traffic build-up
- > Door-like motion ensures quick user acceptance



#### Superior design

Refined, slim designs accentuate lobby

- > Glass barriers provide secure and welcome entry
- > Limited frame and glass side panels open up lobby



#### Field-proven reliability

Uptime and long lifetime improve bottom line

- > Fewer failures mean lower repair costs
- > Minimizes need for extra guards

### Materials

- > Gates and side panels: toughened glass (to EN 14179 /ANSI 97.1); full-height and locking gates are also laminated
- > Post and base panels: 304 stainless steel with a satin polish; base top is Corian® Deep Black Quartz
- > Tops: 304 stainless steel with Corian® Deep Black Quartz ends and centers
- > Beam windows: black polycarbonate

In addition to a choice between rounded or squared pedestal ends, a variety of premium and custom options are available to ensure Fastlane complements building aesthetics.

### Visitor management

Fastlane features an optional visitor management input. When activated, unlimited access is allowed for a designated period, after which the system returns to its secure state.

### Disabled access

Fastlane is compliant with ADA as well as most international standards. A wider lane using the same slim pedestals and wider glass allows for wheelchair or cart access. Audio/Visual feedback is standard.

### Options/Accessories

- > Fastlane Technical Services
- > Fastlane Floor Protector
- > Fastlane Infill System
- > Multiple desktop controls- IP or Analog
- > FastScan™ Tenant/Visitor System
- > Multiple Reader Mounting Options
- > Locking barriers

Please see Fastlane accessories data sheets for additional details.

### Technical specifications

#### Pedestal dimensions (standard and ADA)

- > Height: 38" (965 mm)
- > Width: 9.4" (240 mm)
- > Length: 44.4" (1128 mm)

#### Barrier glass dimensions

- > Height from floor: 38" (965 mm)
- > Standard height: 47.2" (1,200 mm)
- > Intermediate height: 59" (1,500 mm)
- > Full height: 70.9" (1800 mm)
- > Standard width: 11" (279 mm)
- > ADA width: 16" (406 mm)

#### Lane width

- > Standard lane: 26" (660 mm)
- > ADA lane: 36" (914 mm)

#### Barrier Speed of Operation

- > 0.9 second (min, std lane)

#### Throughput\*

- > 1 person / second nominal
- > 1 person / second maximum (subject to response time of access control system)

#### Tailgate detection distance

- > 1/4 inches (5 mm) minimum

#### Barrier glass breakaway force

- > 60N (6.1 kg) nominal
- > Available locking barriers will not breakaway

#### Display

- > Tri-color, LED end of turnstile indicators: red, white, green

#### Sounders

- > Single tone sounder: card authorization and turnstile obstruction

#### Optics

- > Optical turnstile - pulsed multi-infrared beam array, synchronized for detection and safety
- > Environmentally hardened to avoid sunlight interference

#### Operating modes

- > Card in/card out
- > Card entry/free exit
- > Free entry/card out
- > Free entry/free exit

#### Ethernet Connection

- > RJ45 port

#### Power requirements

- > Input: 115 V AC, 60 Hz or 230 V AC, 50 Hz
- > Output: 24 V DC, 60 W, 1.25 A

#### Inputs from Access Control

- > Require voltage-free switching (current sense 1 mA typical)
- > Entry request (normally open closing for < 1 second)
- > Exit request (normally open closing for < 1 second)
- > Visitor access in & out (normally open momentary pushbutton)
- > Fire panel integration- Opto-coupled Input 12-24 Vdc @ 25mA nomina

#### Outputs to Access System

- > Voltage free relay contacts rated 0.5A, 28 V DC for output to system
- > Lane entered (NC)
- > Lane exited Exit (NC)
- > Alarm 1 (NC, opening for 1-16s)
- > Alarm 2 (NC, opening for 1s)

#### Certifications (power supply only)

- > UL 60950-1, 2nd edition
- > CSA C22.2 No. 60950-1-07, 2nd edition

\* Expected time to pass through turnstile.

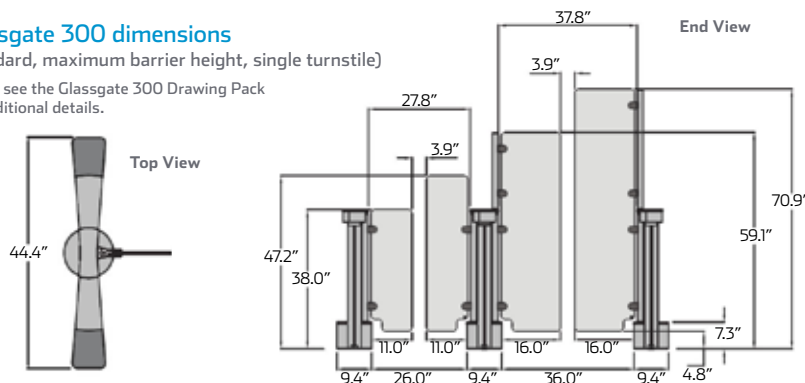
Due to continuous improvements, specifications are subject to change without prior notice.

### Details

#### Glassgate 300 dimensions

(standard, maximum barrier height, single turnstile)

Please see the Glassgate 300 Drawing Pack for additional details.



With thousands of systems installed on 6 continents, Fastlane is a world leader in elegant and intelligent optical turnstiles.

Manufactured by Integrated Design Limited. Fastlane is a registered trademark of IDL, 1995.

