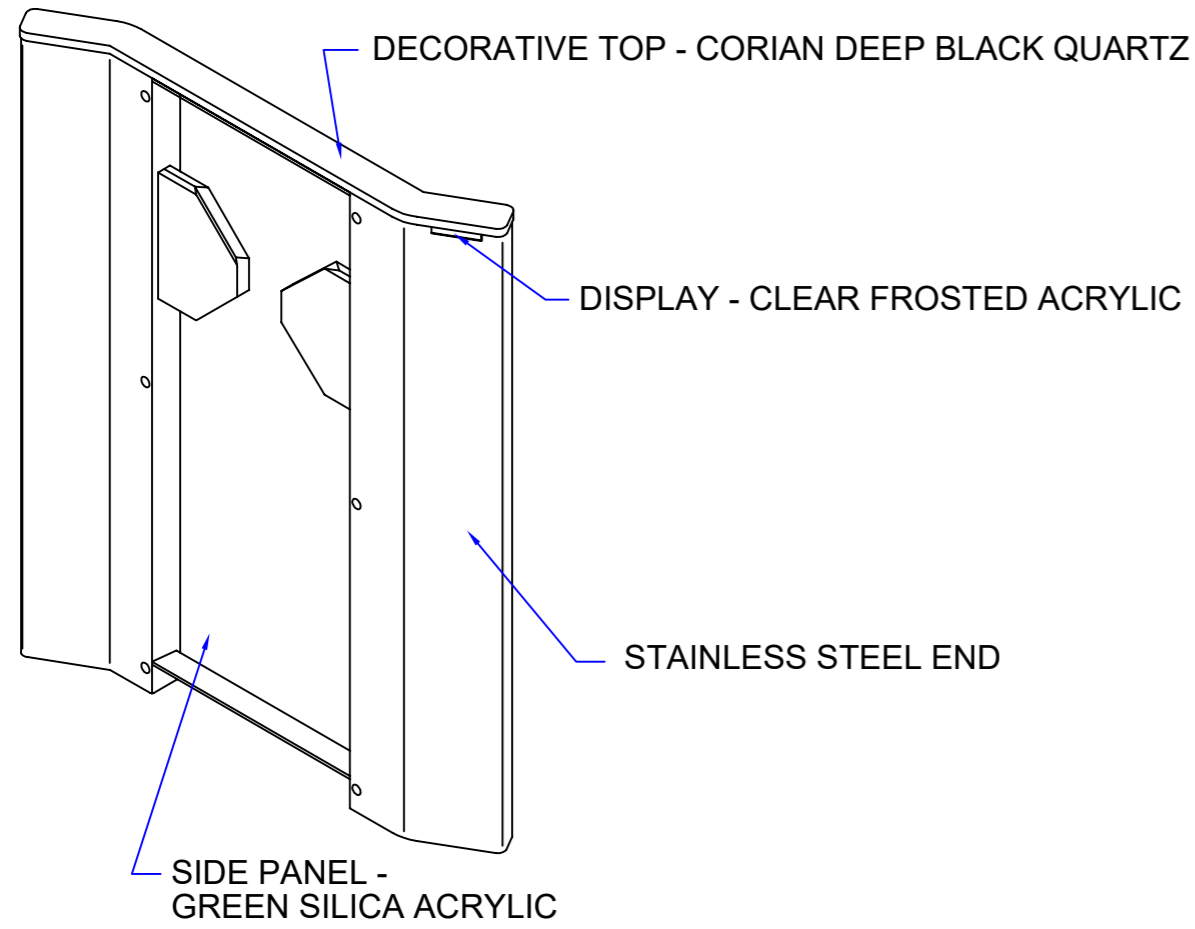
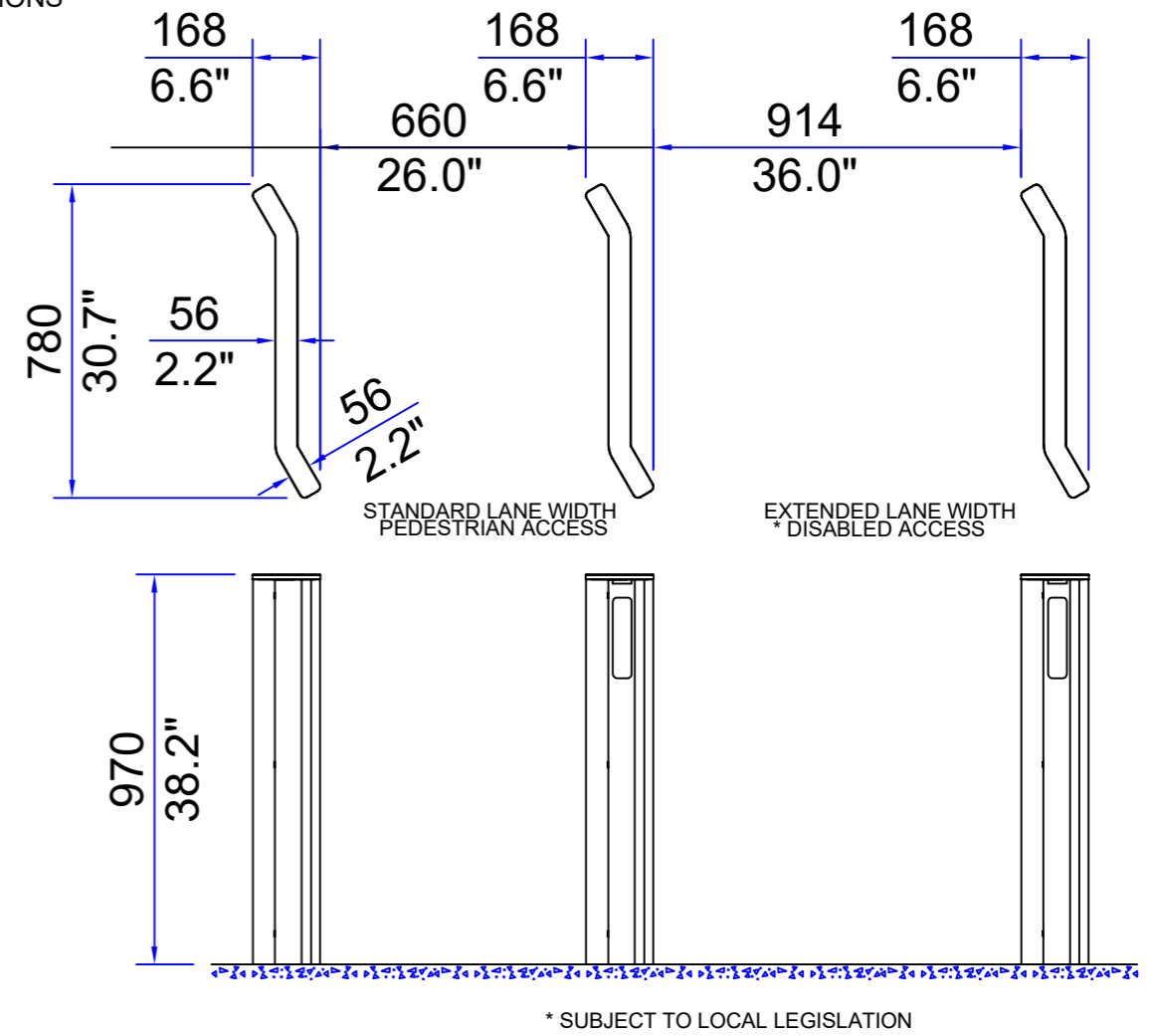


MATERIAL SPECIFICATIONS

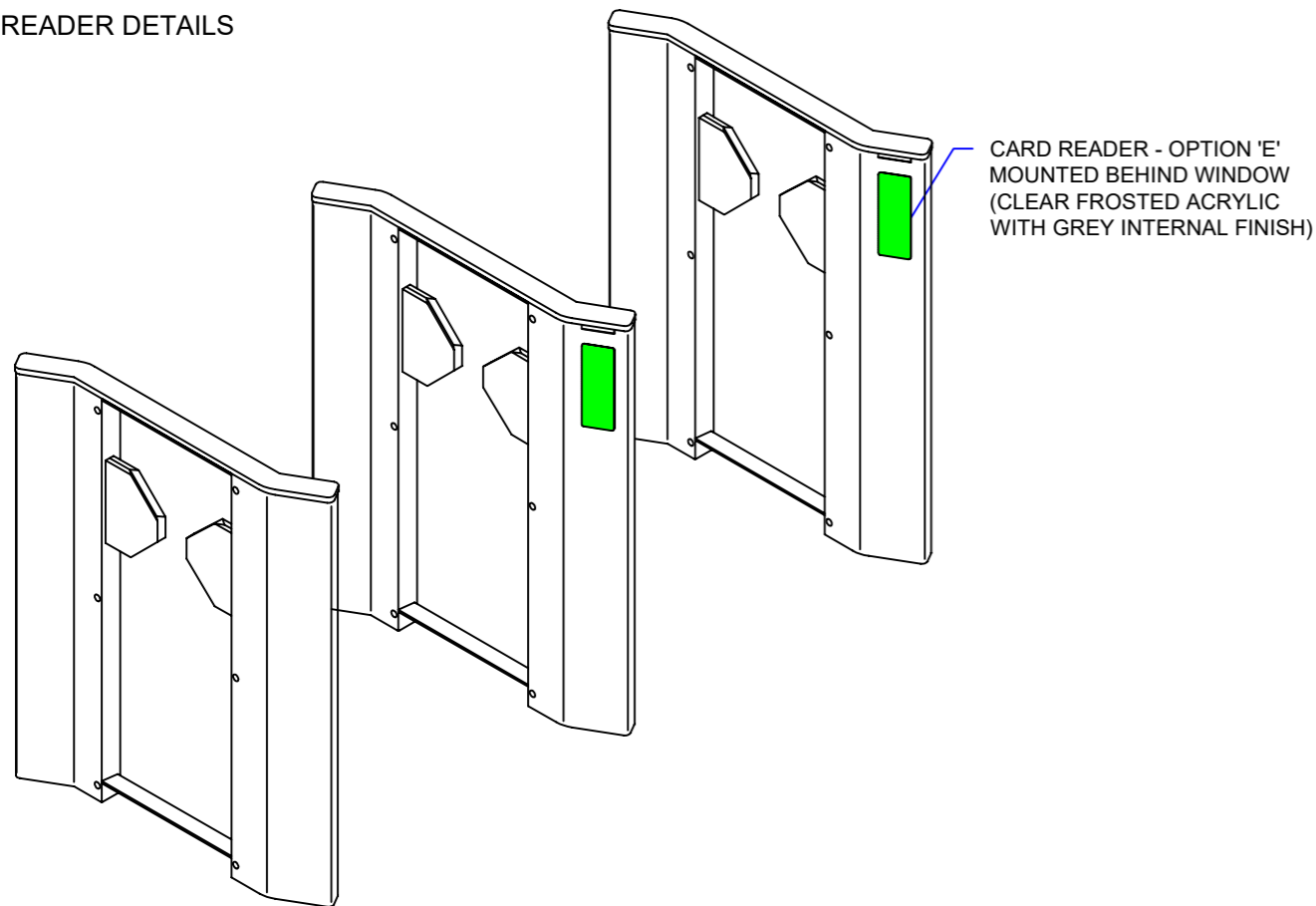


ALL STAINLESS STEEL IS 304, 240 GRIT (SATIN No. 4), HORIZONTAL GRAIN

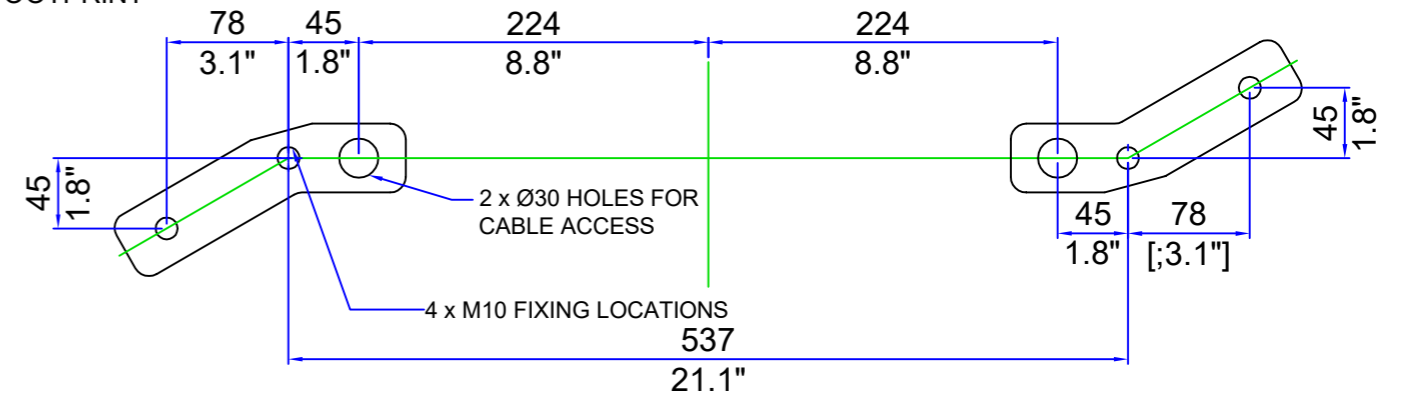
LANE LAYOUT & GENERAL DIMENSIONS



READER DETAILS



PEDESTAL FOOTPRINT



PRODUCT: CLEARSTYLE 400

TITLE: GENERAL INFORMATION

DRAWING No: CS400_A4

FOR SALES INFORMATION ONLY- SUBJECT TO CHANGE ALL DIMENSIONS +/-2mm

This document is the copyright of Integrated Design LTD

