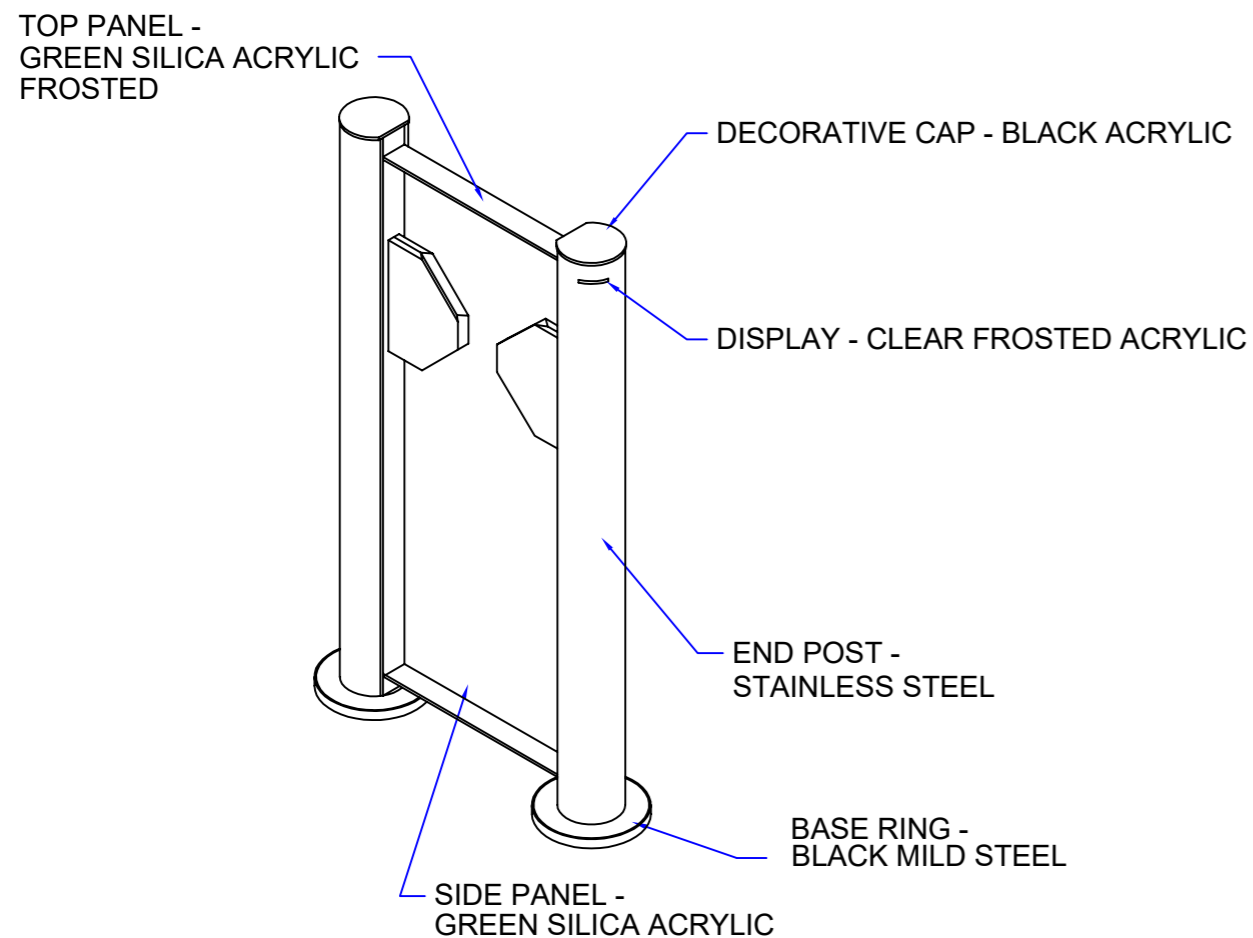
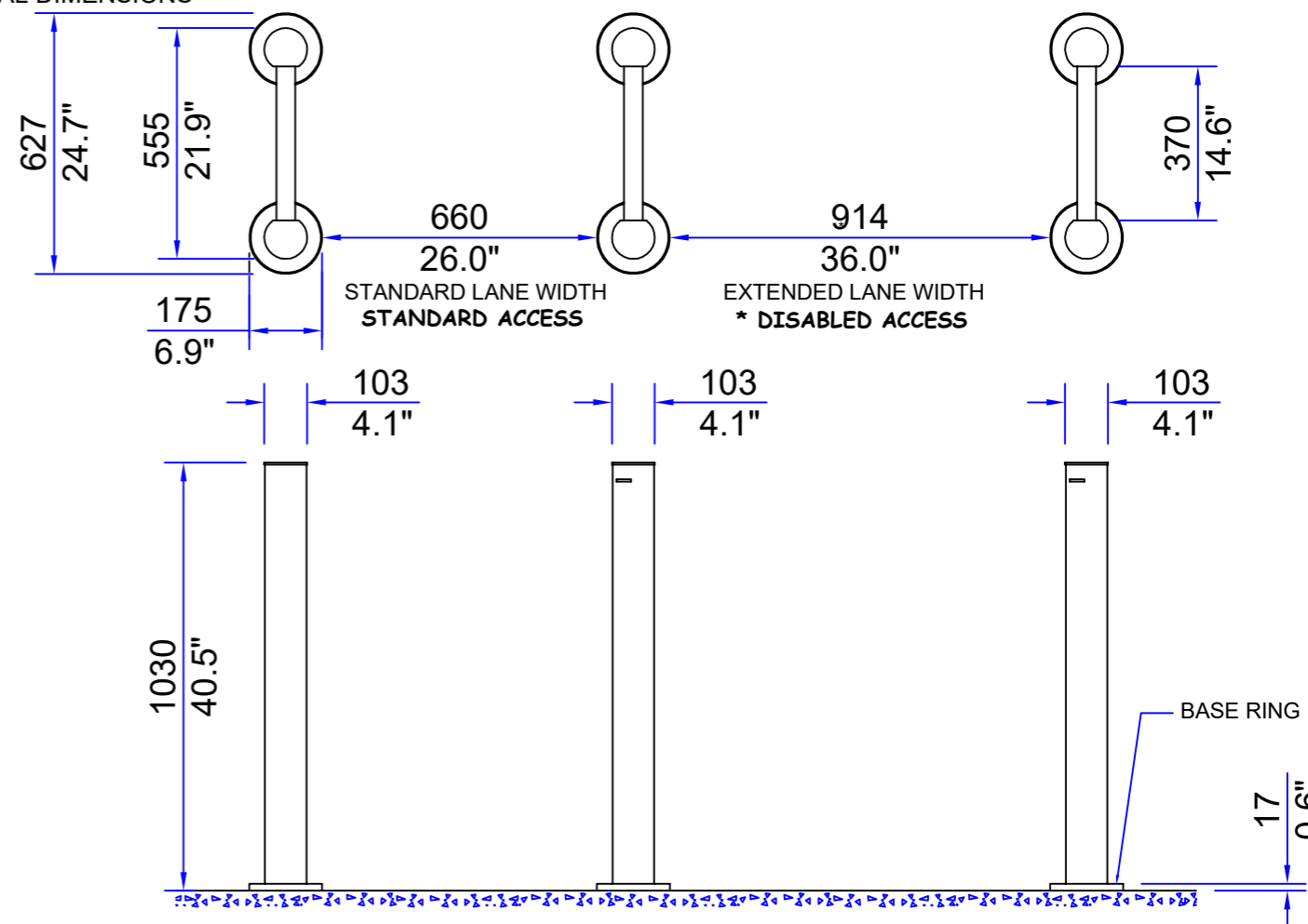


MATERIAL SPECIFICATIONS



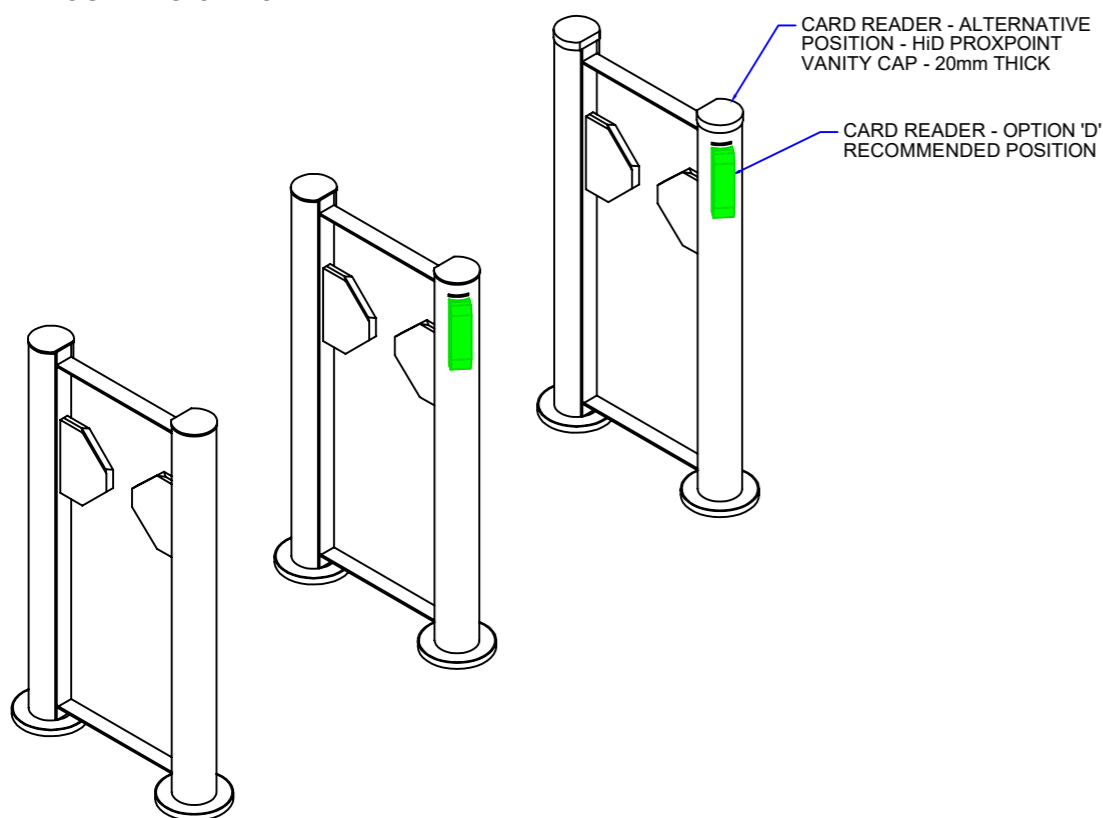
ALL STAINLESS STEEL IS 304, 240 GRIT (SATIN No. 4), HORIZONTAL GRAIN

LANE LAYOUT & GENERAL DIMENSIONS

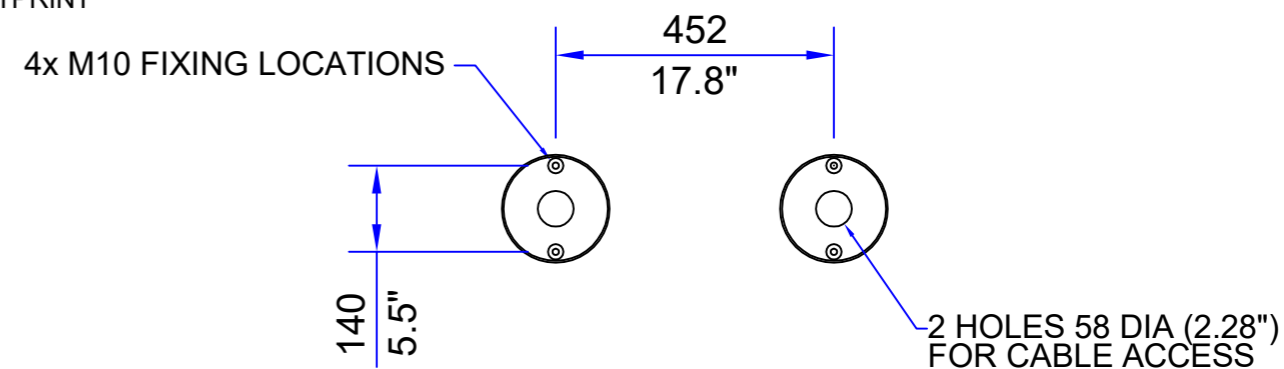


* SUBJECT TO LOCAL LEGISLATION

READER MOUNTING OPTIONS



PEDESTAL FOOTPRINT



PRODUCT: CLEARSTYLE 200

TITLE: GENERAL INFORMATION

DRAWING No: CS200_A2

FOR SALES INFORMATION ONLY - SUBJECT TO CHANGE
ALL DIMENSIONS +/-2mm

This document is the copyright of Integrated Design LTD

