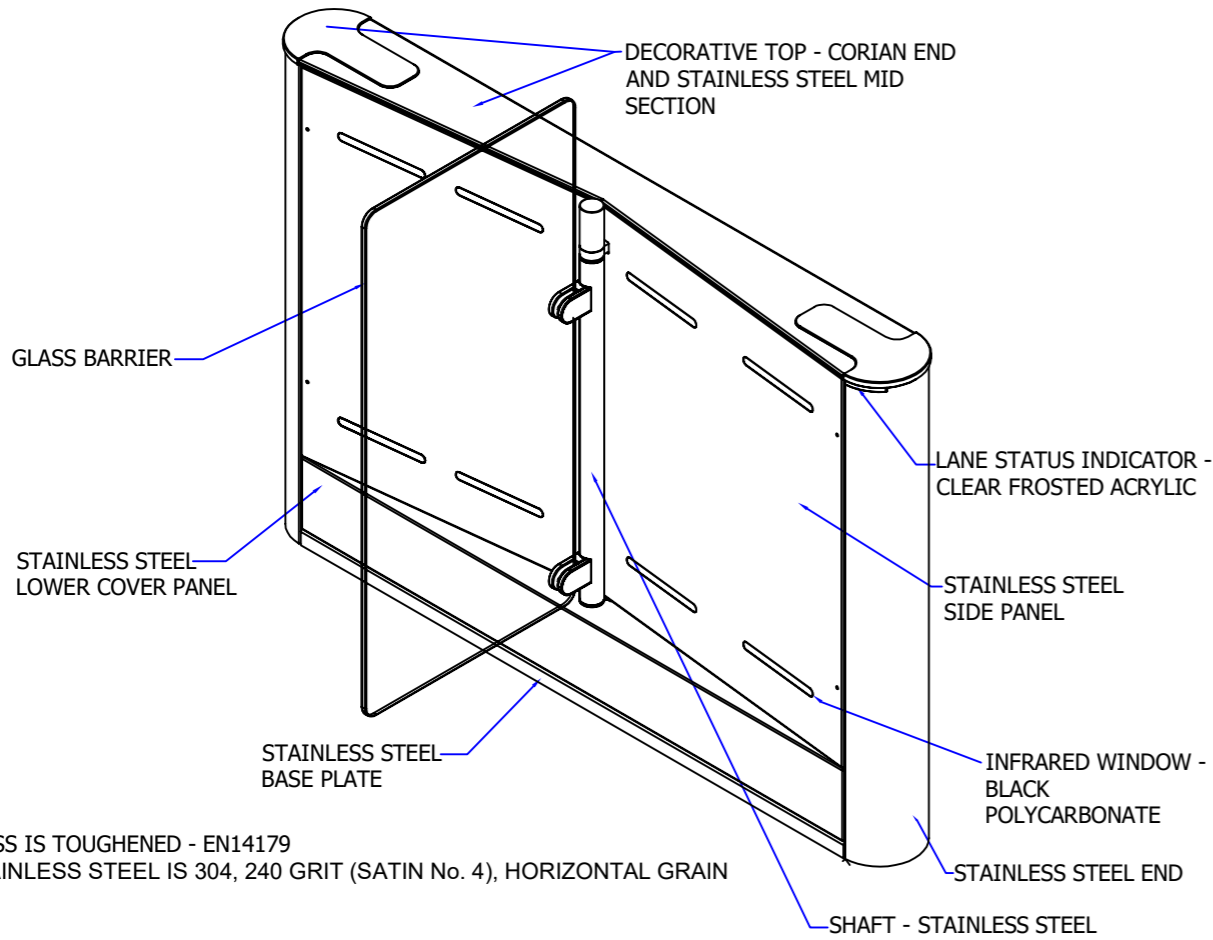
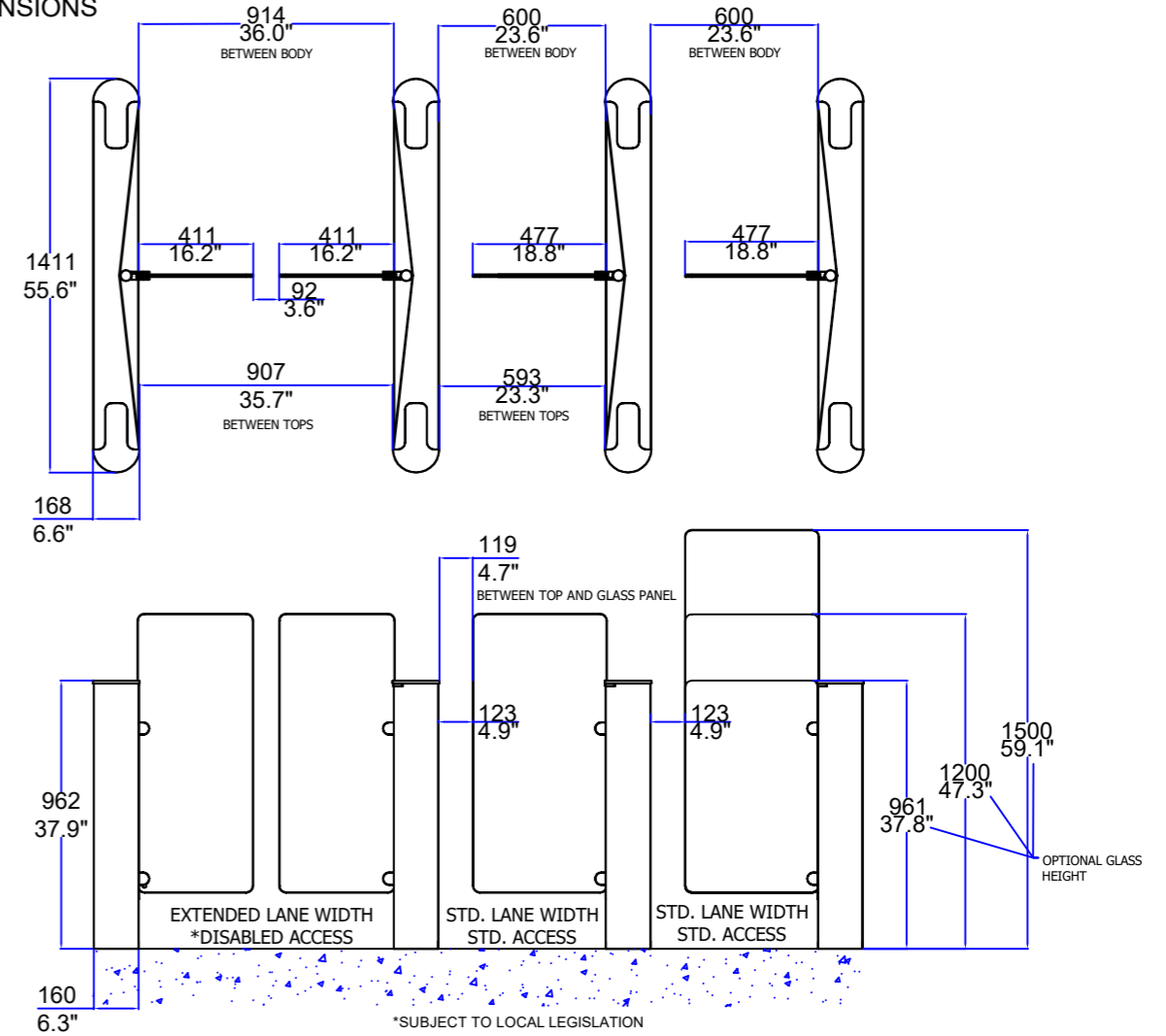


MATERIAL SPECIFICATION

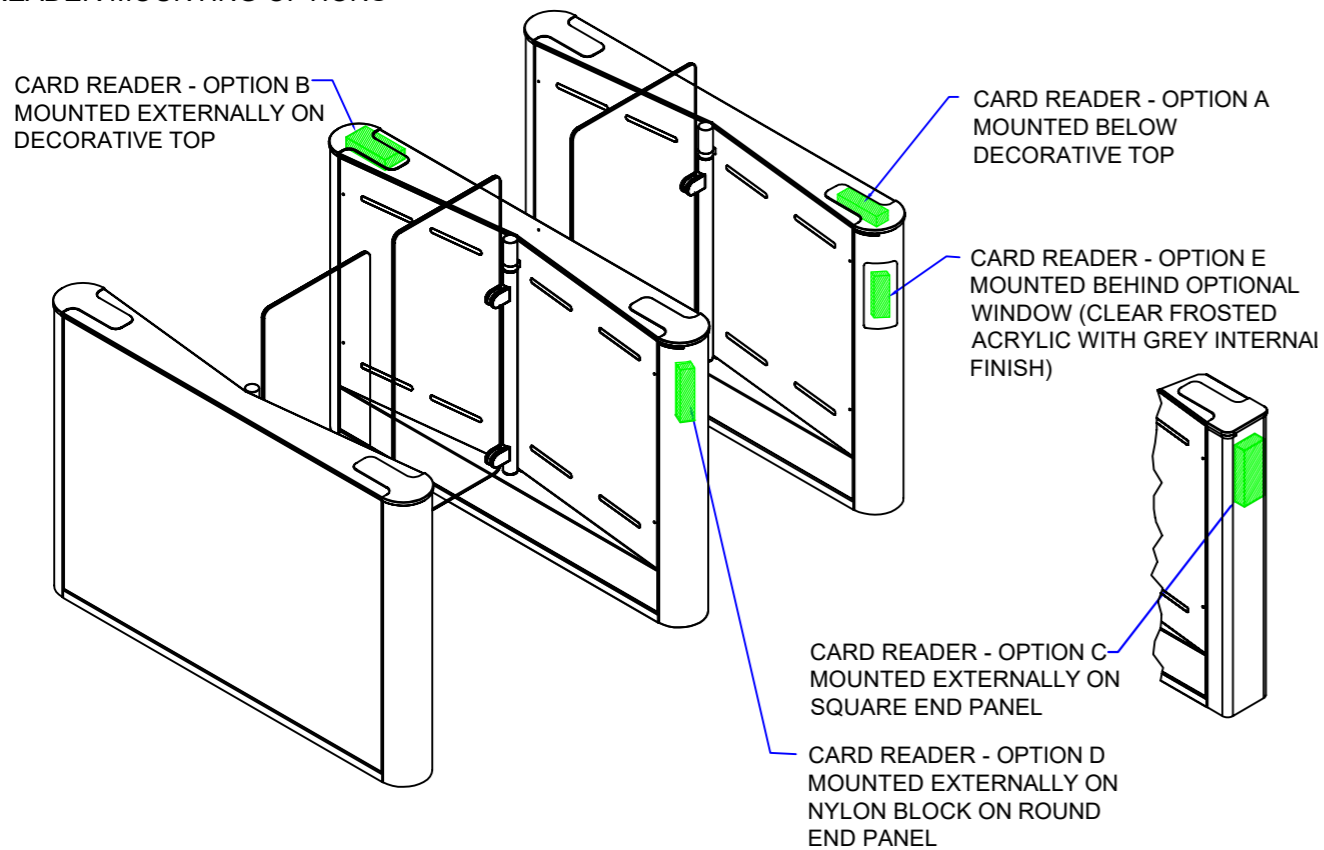


ALL GLASS IS TOUGHENED - EN14179
 ALL STAINLESS STEEL IS 304, 240 GRIT (SATIN No. 4), HORIZONTAL GRAIN

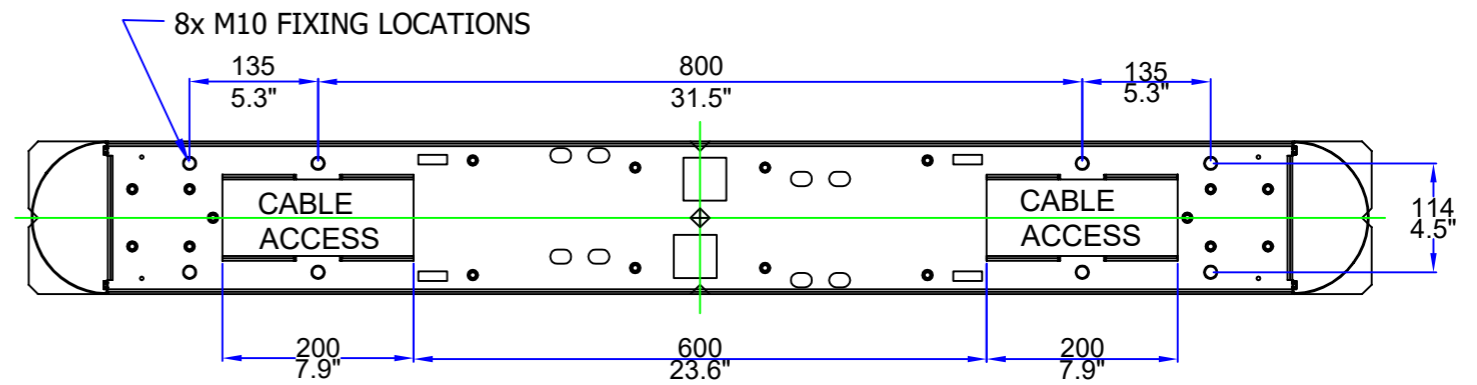
LANE LAYOUT & GENERAL DIMENSIONS



READER MOUNTING OPTIONS



PEDESTAL FOOTPRINT



PRODUCT: GLASSGATE 200

TITLE: GENERAL INFORMATION

DRAWING No: GG200V3_A2

FOR SALES INFORMATION ONLY-SUBJECT TO CHANGE
 ALL DIMENSIONS +/-2mm

This document is the copyright of Integrated Design LTD

