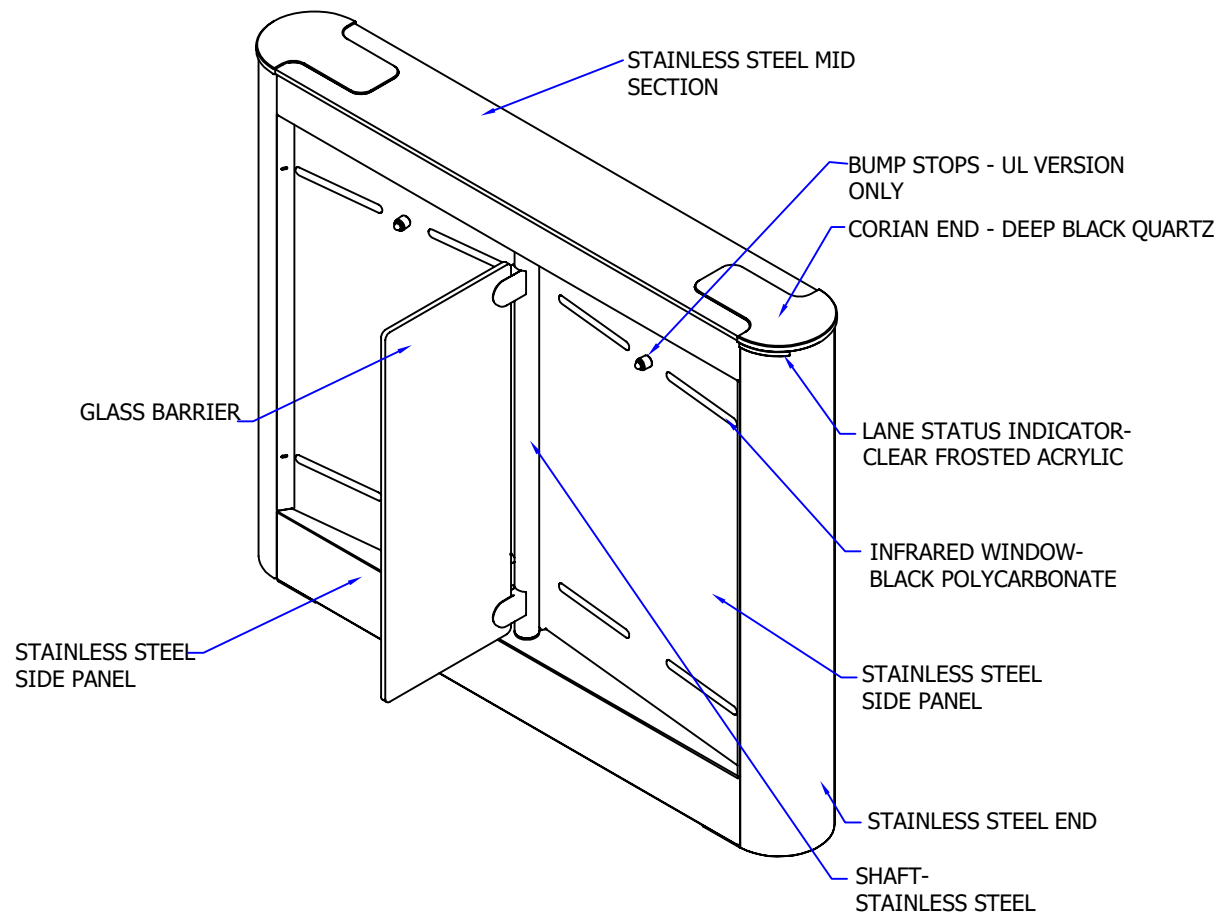
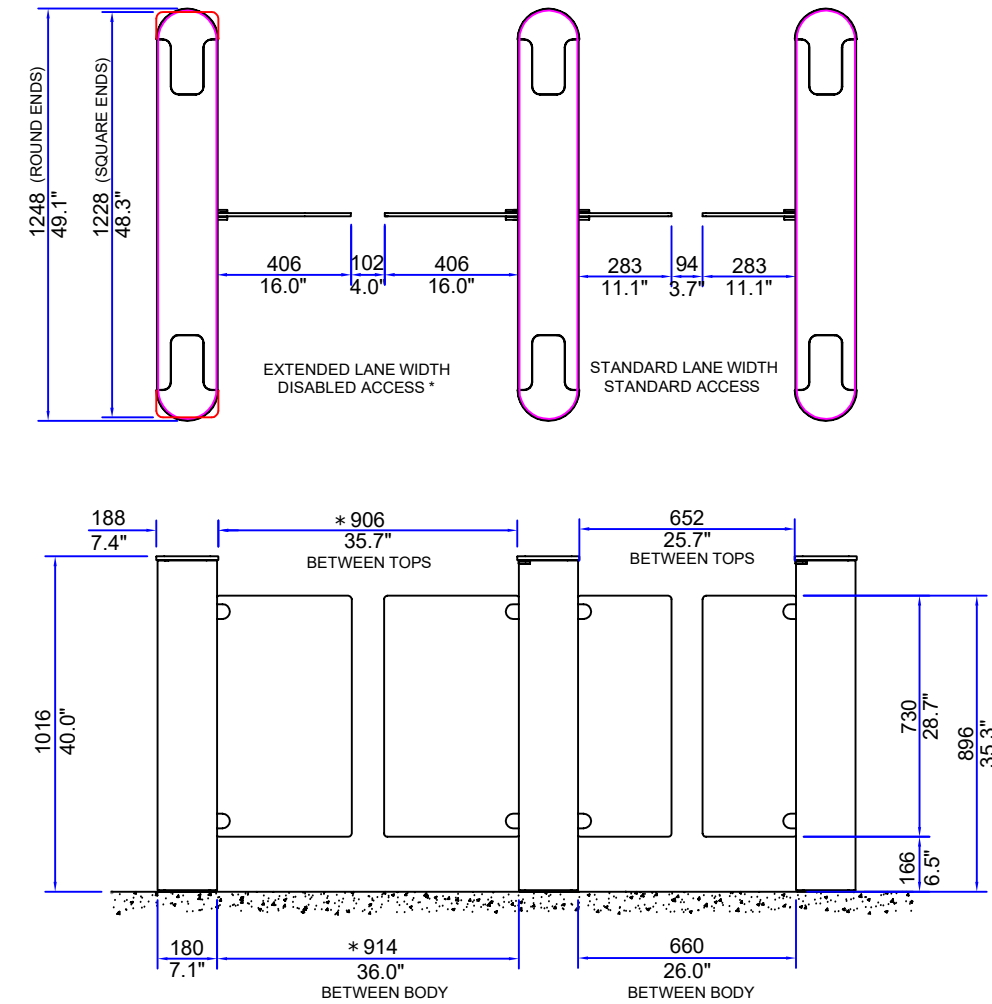


MATERIAL SPECIFICATION



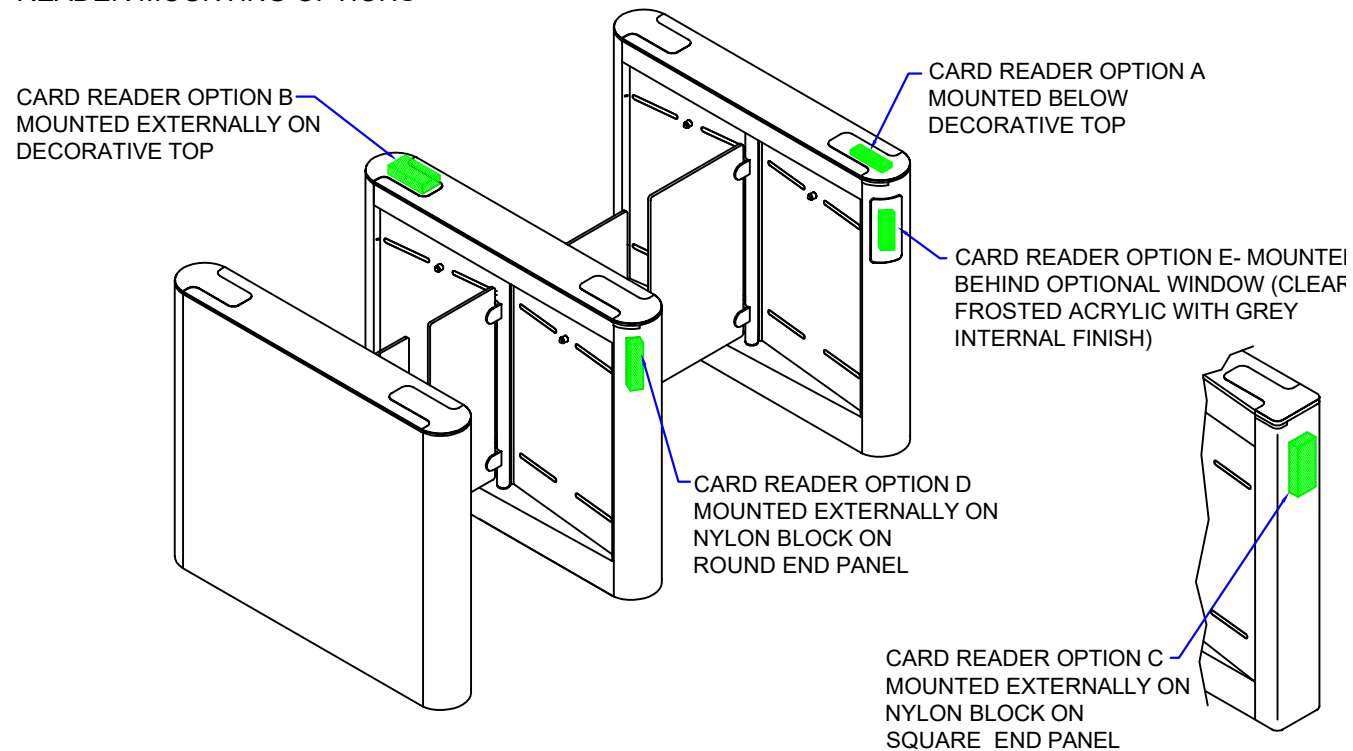
ALL GLASS IS TOUGHENED- EN 14179 / ANSI Z97.1
 ALL STAINLESS STEEL IS 304, 240 GRIT (SATIN No. 4), HORIZONTAL GRAIN
 DECORATIVE TOP - STAINLESS STEEL AND CORIAN HAS 4mm OVERHANG

LANE LAYOUT & GENERAL DIMENSIONS

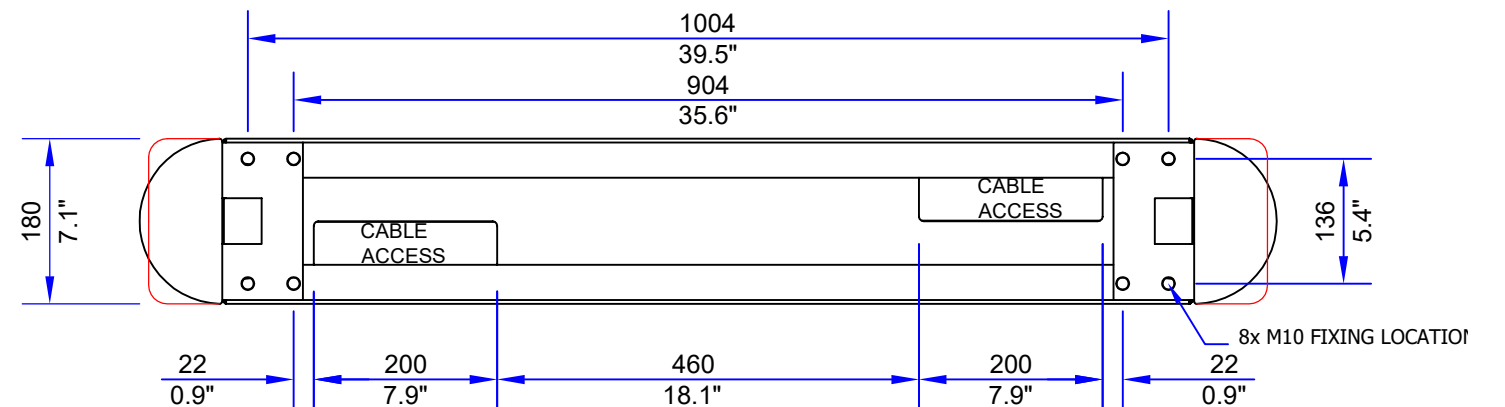


*SUBJECT TO LOCAL LEGISLATION

READER MOUNTING OPTIONS



PEDESTAL FOOTPRINT



PRODUCT: GLASSGATE 250

TITLE: GENERAL INFORMATION

DRAWING No: GG250_A6

FOR SALES INFORMATION ONLY-SUBJECT TO CHANGE
 ALL DIMENSIONS +/-2mm

This document is the copyright of Integrated Design LTD

fastlane

F