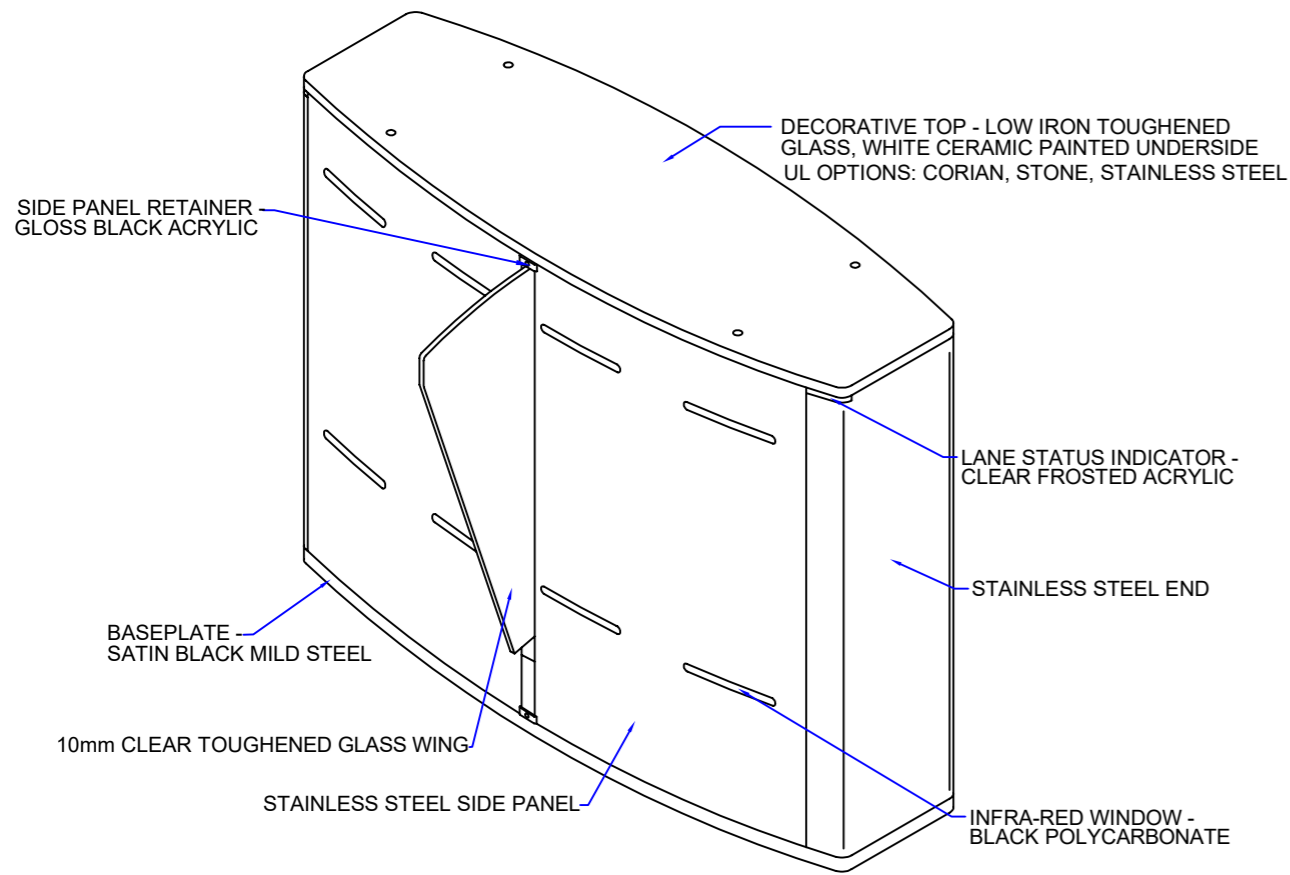
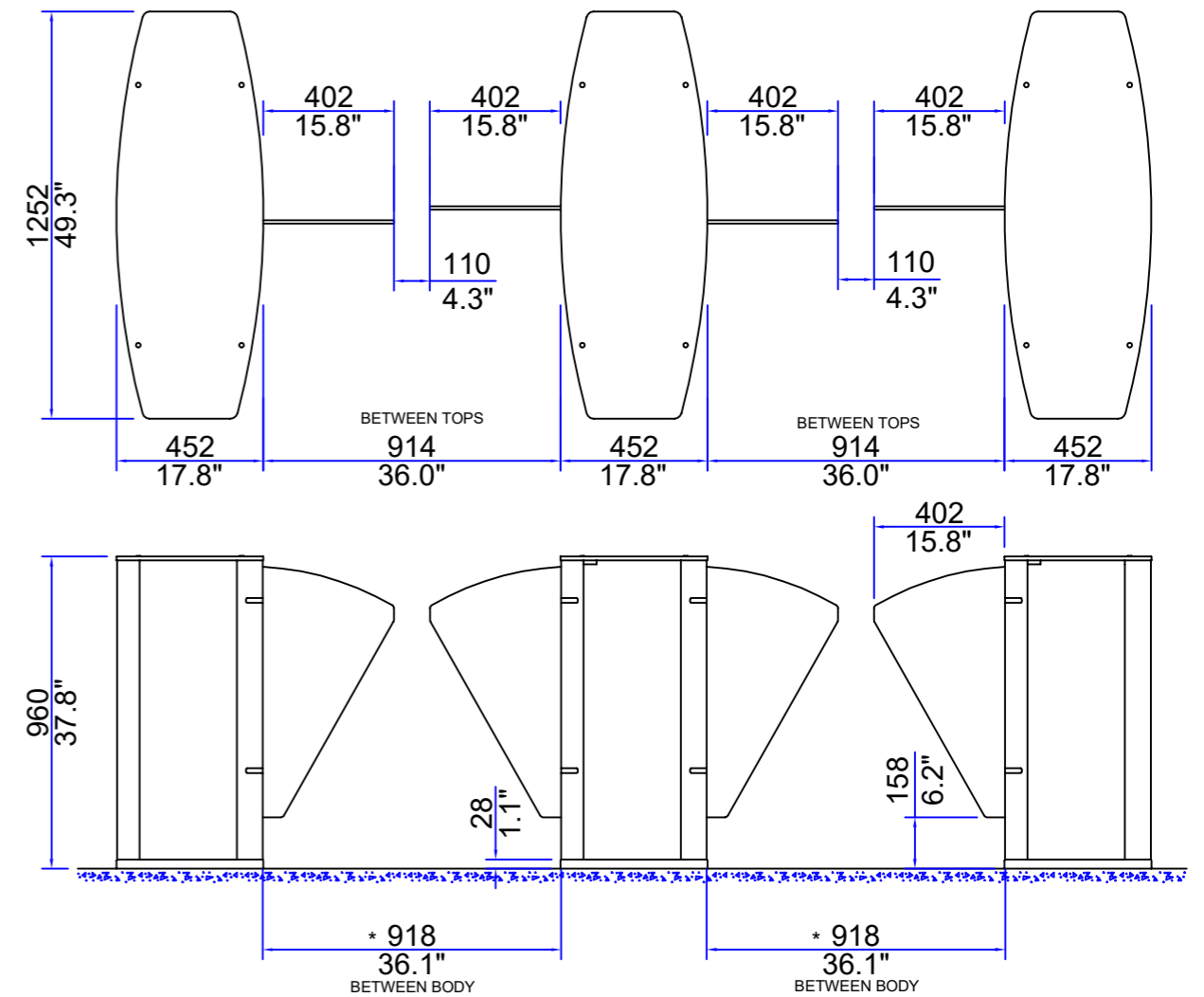


**MATERIAL SPECIFICATIONS**



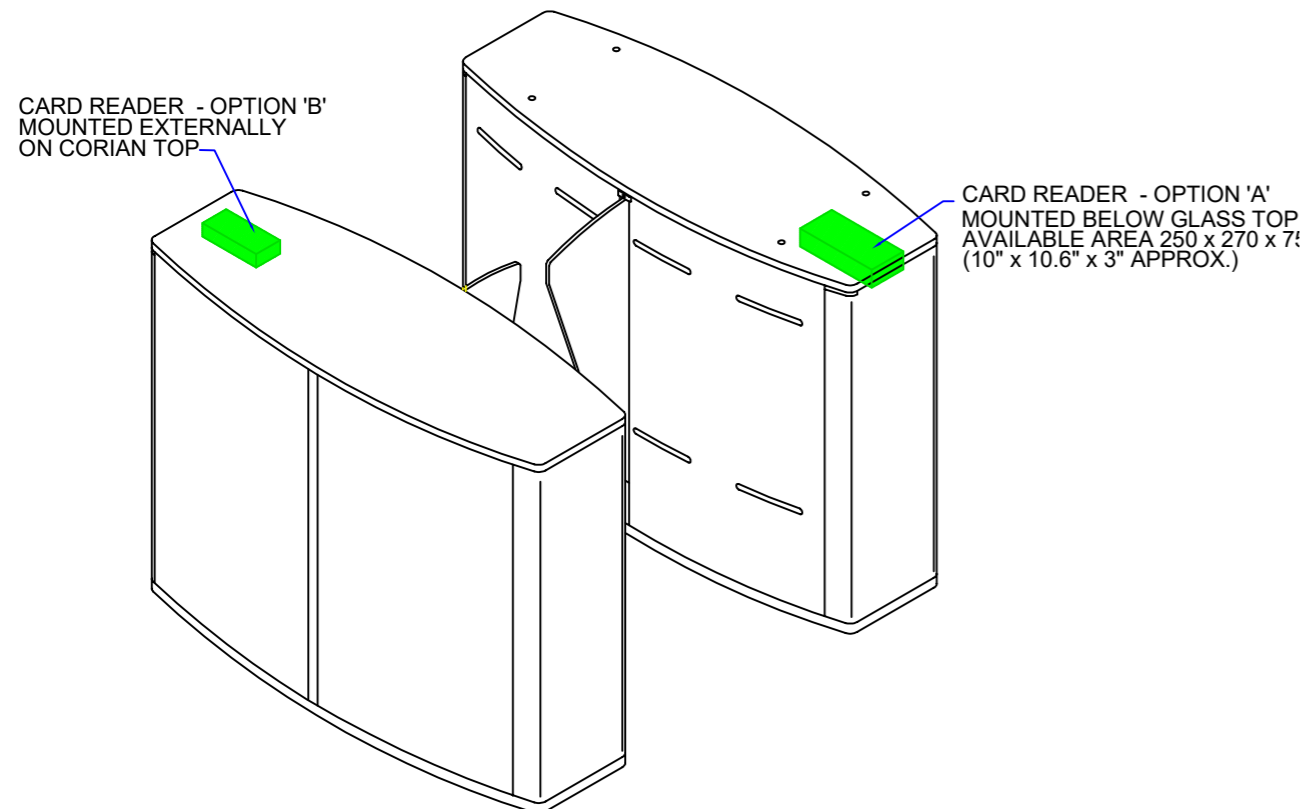
ALL GLASS IS TOUGHENED - EN14179 / ANSI Z97.1  
ALL STAINLESS STEEL IS 304, 240 GRIT (SATIN No. 4), HORIZONTAL GRAIN

**LANE LAYOUT & GENERAL DIMENSIONS**

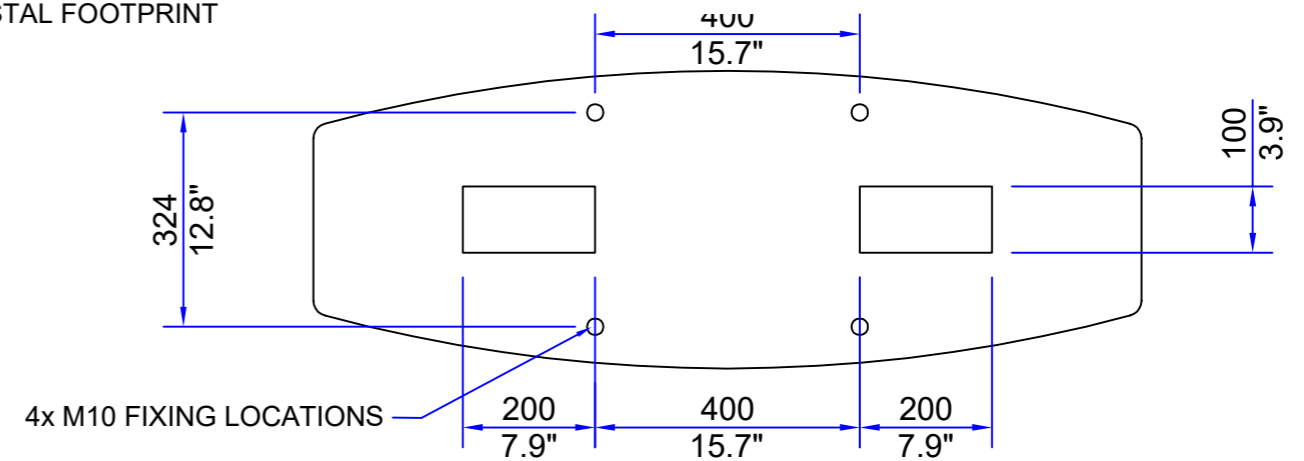


\* SUBJECT TO LOCAL LEGISLATION

**READER MOUNTING OPTIONS**



**PEDESTAL FOOTPRINT**



**PRODUCT: GLASSWING DDA**  
**TITLE: GENERAL INFORMATION**

**DRAWING No: GWDDAS\_A4**  
FOR SALES INFORMATION ONLY-SUBJECT TO CHANGE  
ALL DIMENSIONS +/-2mm  
This document is the copyright of Integrated Design LTD

