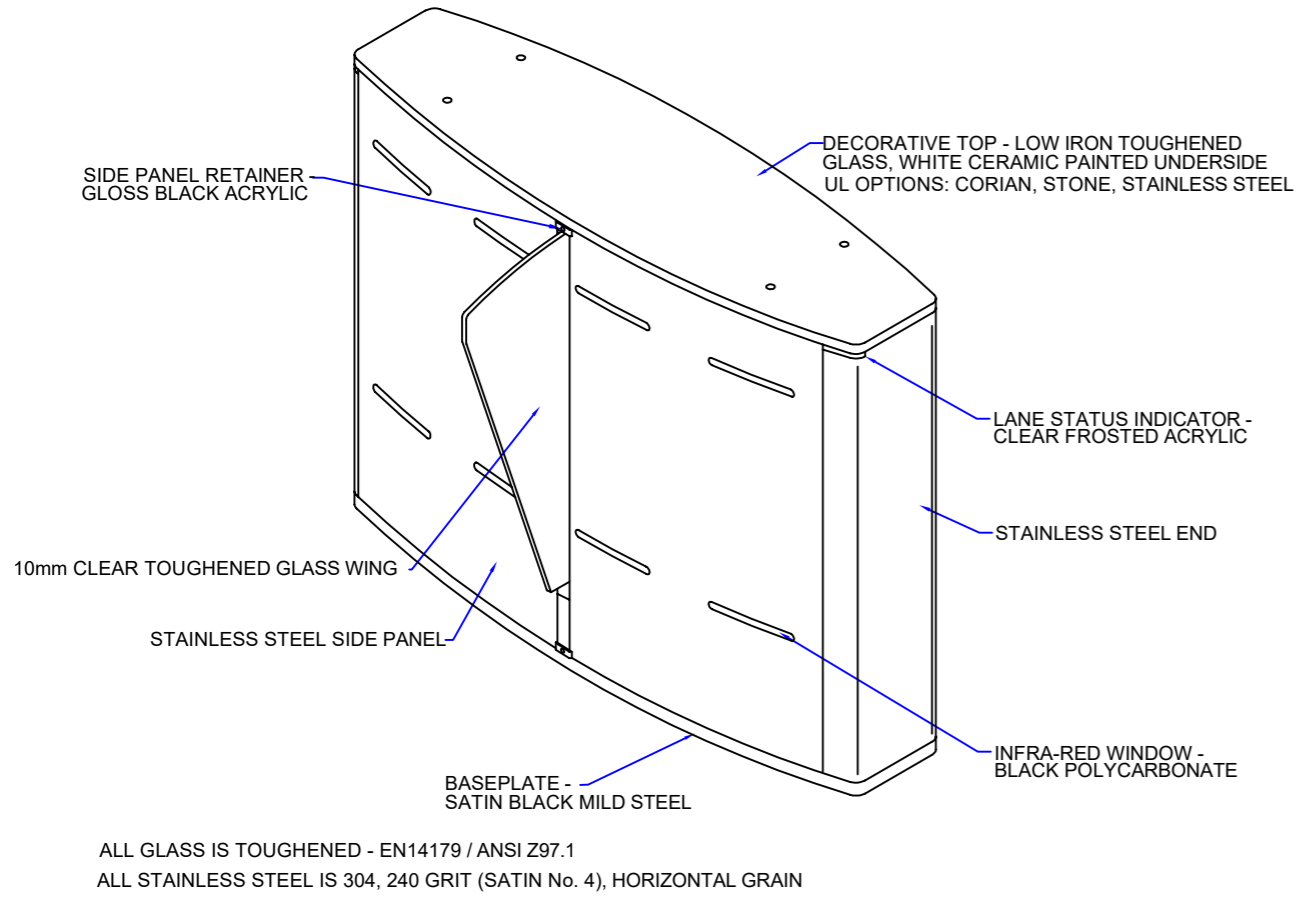
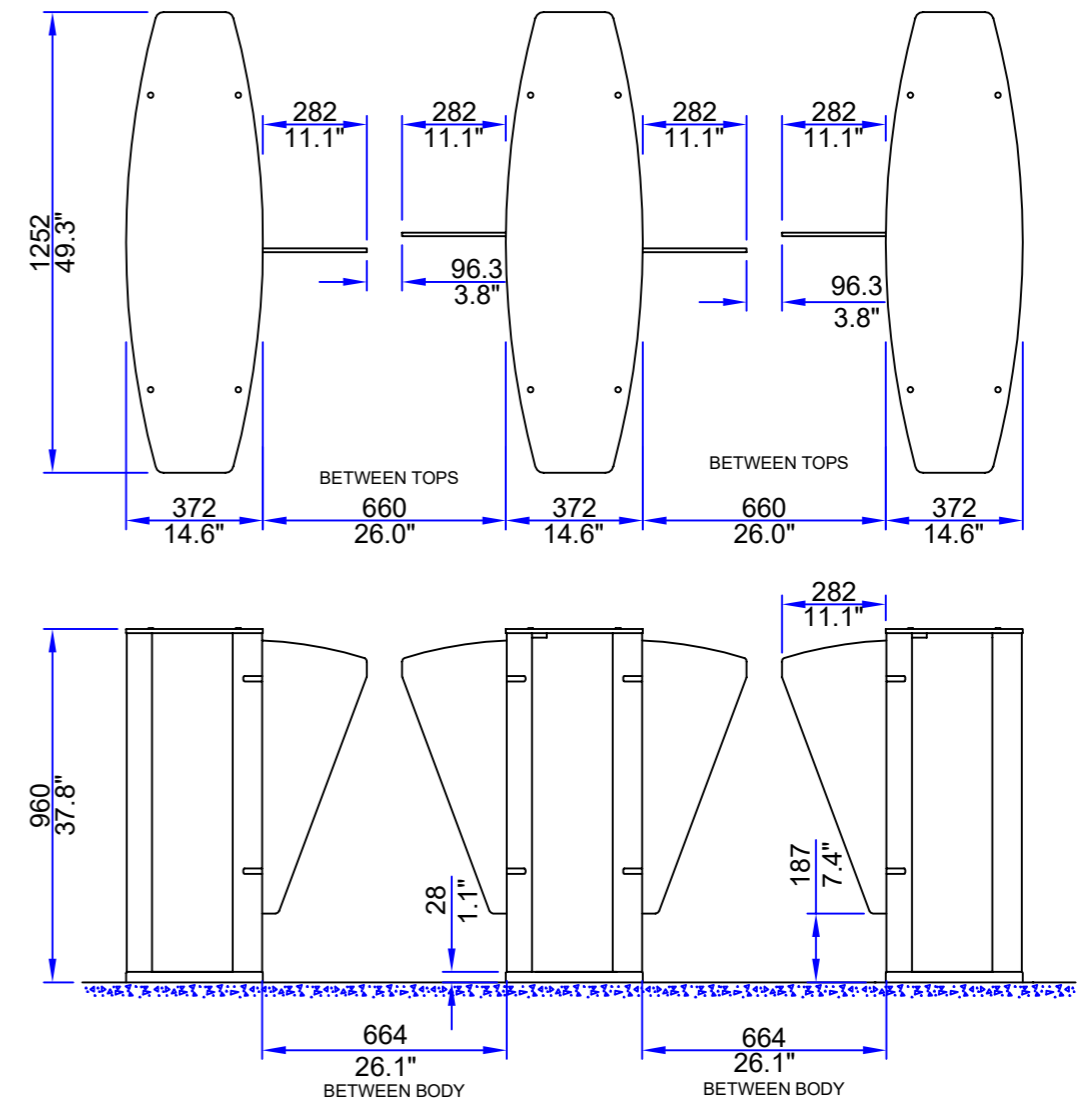


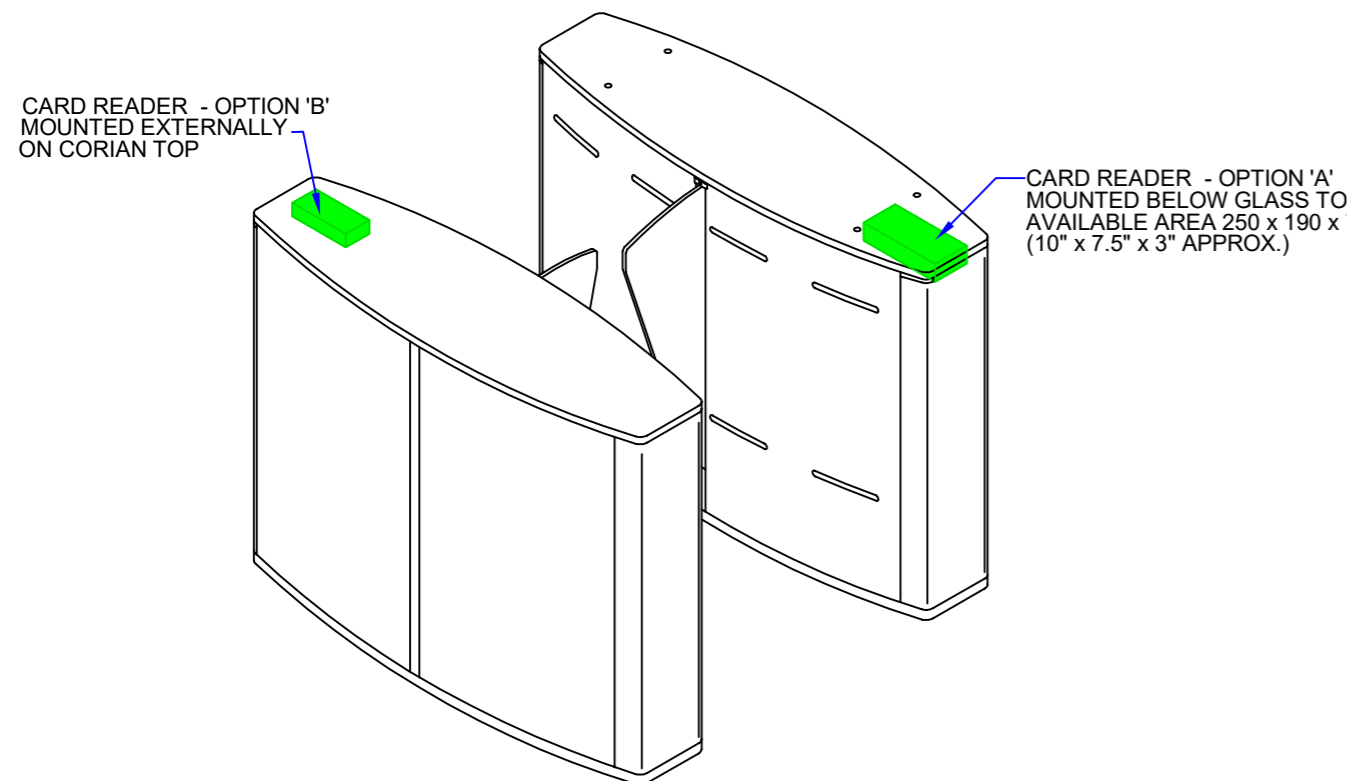
MATERIAL SPECIFICATIONS



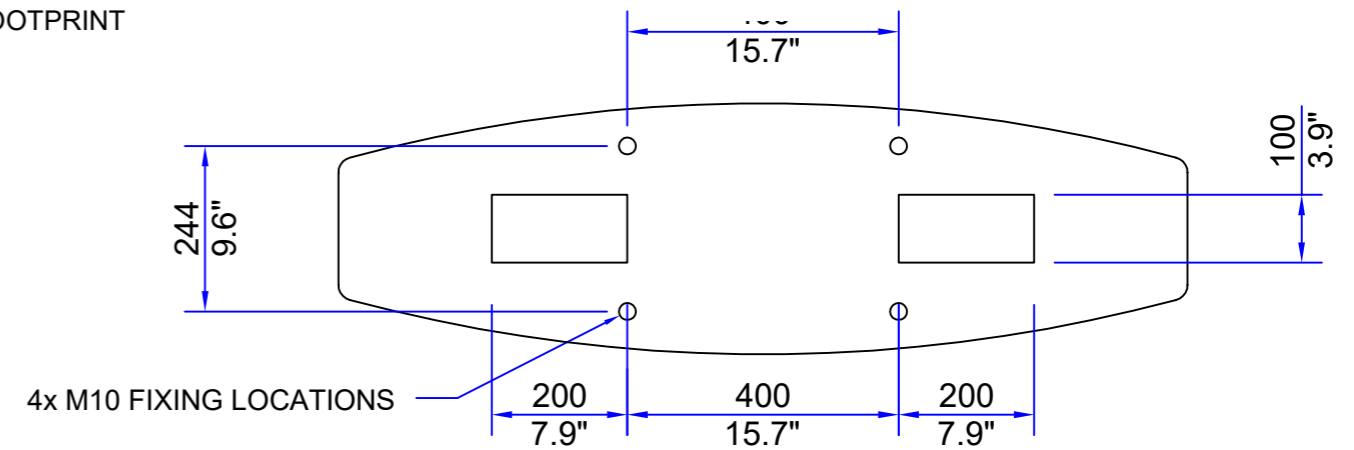
LANE LAYOUT & GENERAL DIMENSIONS



READER MOUNTING OPTIONS



PEDESTAL FOOTPRINT



PRODUCT: GLASSWING STANDARD
TITLE: GENERAL INFORMATION

DRAWING No: GWSTDS_A4
FOR SALES INFORMATION ONLY-SUBJECT TO CHANGE
ALL DIMENSIONS +/-2mm
This document is the copyright of Integrated Design LTD

