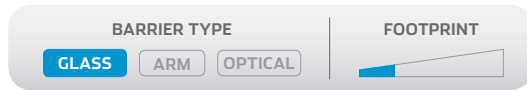


Elegance and intelligence, defined

Fastlane Intelligate is a bidirectional motorized access gate that uniquely includes tailgate detection. It allows passage for all authorized users—especially those with packages or reduced mobility—while using Fastlane optical technology to detect unauthorized access or direction violations.



Advanced intelligence

Unlike typical pass gates, Intelligate is an incredibly intelligent computer. An infrared beam matrix engineered with microprocessors monitors pedestrian movement with pinpoint accuracy, detecting tailgaters and unauthorized users. Inherently more secure, this technology also yields the fastest entry and minimizes false alarms.

IP enabled

Intelligate features Fastlane Connect™, a TCP/IP communication and control system that enables Web-based turnstile control from any PC, tablet, smartphone, or from Fastlane’s Multilane Controller.

Operation

Intelligate is designed to ensure only one person gains access for each authorization granted. The glass barriers swing away from an authorized user. Barriers then either:

- > Close behind the authorized person to deter tailgaters
- > Stay open for immediate additional authorized users passing in either direction

Intelligate will automatically sound a local alarm if someone enters without authorization.

- > Efforts to push past the glass barrier will sound a second, louder alarm
- > A secondary relay can trigger CCTV, lock doors, or control elevators.

User-friendly and safe

Intelligate barriers automatically:

- > Slow to a crawl to avoid contact when safety beams sense an object in the way
- > Break away in either direction to minimize injury or damage
- > Forced egress mode

Optionally, barriers can be configured to open in the exit direction upon fire alarm or power outage.



High security

Advanced technology for superior entry control

- > Detects tailgaters following behind authorized personnel
- > Glass barriers are a visual and physical deterrent



Pinpoint accuracy

Intelligence virtually eliminates false alarms

- > Differentiates body mass from smaller objects
- > Increases acceptance, avoiding guard tune out



Unsurpassed throughput

Greater return on investment

- > High processing speed reduces traffic build-up
- > Door-like motion ensures quick user acceptance



Superior design

Refined, slim designs accentuate lobby

- > Glass barriers provide secure and welcome entry
- > Small pedestals - only 6.4 inches in diameter



Field-proven reliability

Uptime and long lifetime improve bottom line

- > Fewer failures mean lower repair costs
- > Minimizes need for extra security officers

Applications

Intelligate is often used alongside Fastlane optical turnstiles. Typical applications include high-rise building lobbies, corporate offices, financial institutions, and government facilities.

Materials

- > Gates: toughened glass (to BS 2606)
- > Pedestals: 304 stainless steel
- > Beam windows: Perspex® 962
- > Tops: 304 stainless steel

A variety of premium and custom options are available to ensure Fastlane complements building aesthetics.

Visitor management

Intelligate features an optional visitor management input. When activated, unlimited access is allowed for a designated period, after which the system returns to its secure state.

Disabled access

Intelligate is compliant with ADA as well as most international standards. Audio/Visual feedback is standard.

Options/Accessories

- > Fastlane Technical Services
- > Fastlane Floor Protector
- > Fastlane Infill System
- > Fastlane Remote Control
- > FastScan™ Tenant/Visitor System
- > Reader mounting post

Please see Fastlane accessories data sheets for additional details.

Technical specifications

Pedestal dimensions (standard and ADA)

- > Height: 38.2" (970 mm)
- > Width: 6.4" (162 mm)
- > Length: 6.4" (162 mm)

Weights

- > Pedestal: 44 lbs (20 kg)
- > Standard glass: 10 lbs (4.5 kg) per panel

Lane width

- > Standard glass lane: 39.4" (1,000 mm)

Wider lane widths possible

Opening/closing time

- > 2-5 seconds

Throughput*

- > 1 person / second (subject to response time of access control system)

Tailgate detection distance

- > 2" (50 mm)

Display

- > Tri-color end of turnstile indicators: red, white, green

Sounders

- > Single tone sounder: card authorization and turnstile obstruction

Optics

- > 2 pulsed multi infra-red beams

Operating modes

- > Card in/card out
- > Card entry/push button exit
- > Push button entry/card out
- > Push button entry/push button exit

Power requirements

- > Input: 115 V AC, 60 Hz or 230 V AC, 50 Hz
- > Output: 24 V DC, 60 W, 2.5 A

Inputs from Access Control

- > Require voltage-free switching (current sense 1 mA typical)
- > Entry request (normally open closing for < 1 second)
- > Exit request (normally open closing for < 1 second)
- > Visitor access in & out (normally open momentary push button)
- > Fire panel integration- Opto-coupled Input 12-24 Vdc @ 25mA nomina

Outputs to Access System

- > Voltage free relay contacts rated 0.5A, 28 V DC for output to system
- > Lane entered (NO)
- > Lane exited Exit (NO)
- > Alarm 2 (NC, opening for 1s)

Certifications (power supply only)

- > UL 60950-1, 2nd edition
- > CSA C22.2 No. 60950-1-07, 2nd edition

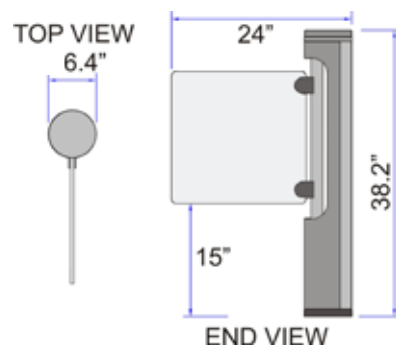
* Expected time to pass through turnstile.

Due to continuous improvements, specifications are subject to change without prior notice.

Details

Intelligate dimensions (standard, single gate)

Please see the Intelligate Drawing Pack for additional details.



With thousands of systems installed on 6 continents, Fastlane is a world leader in elegant and intelligent optical turnstiles.

Manufactured by Integrated Design Limited. Fastlane is a registered trademark of IDL, 1995.

