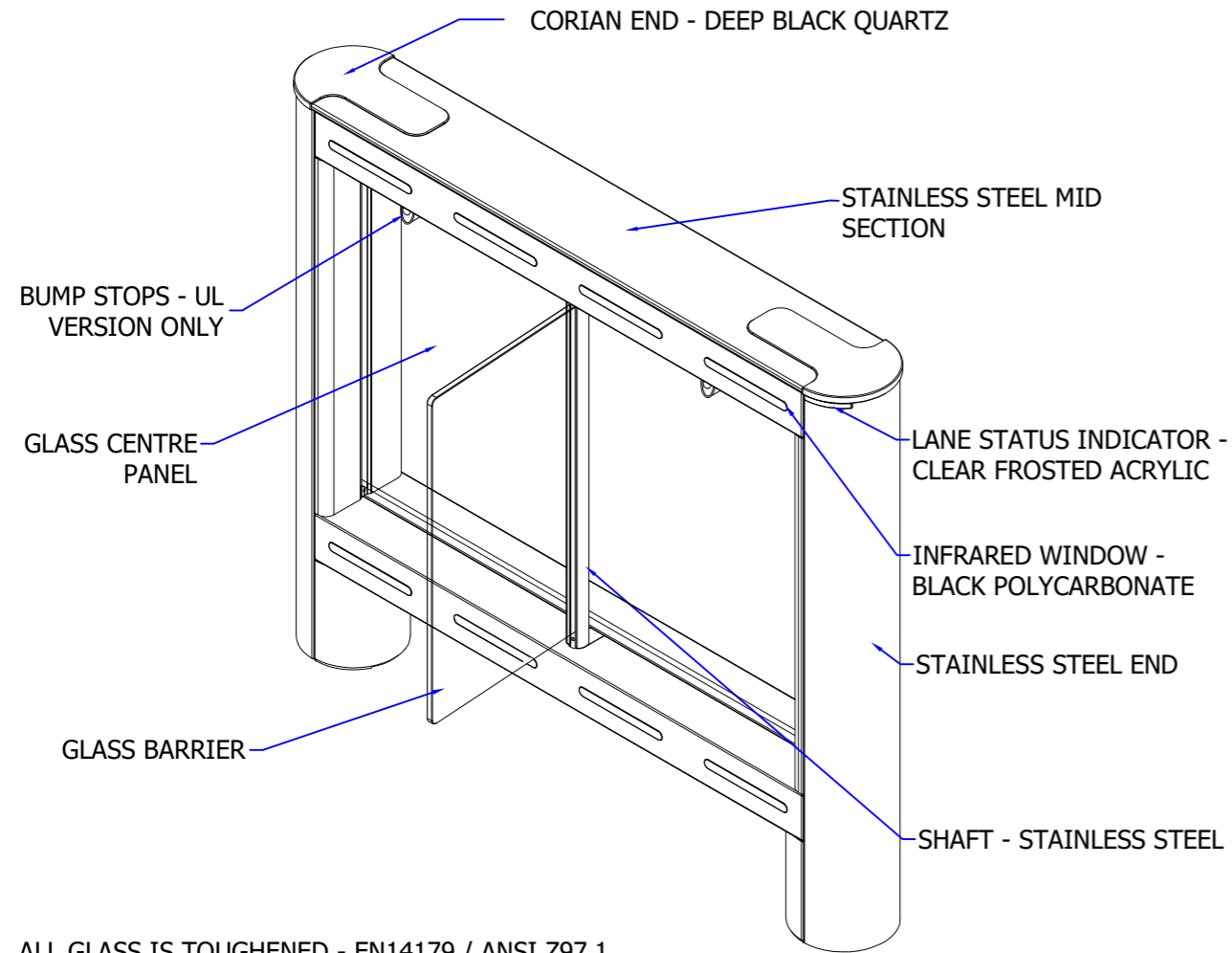
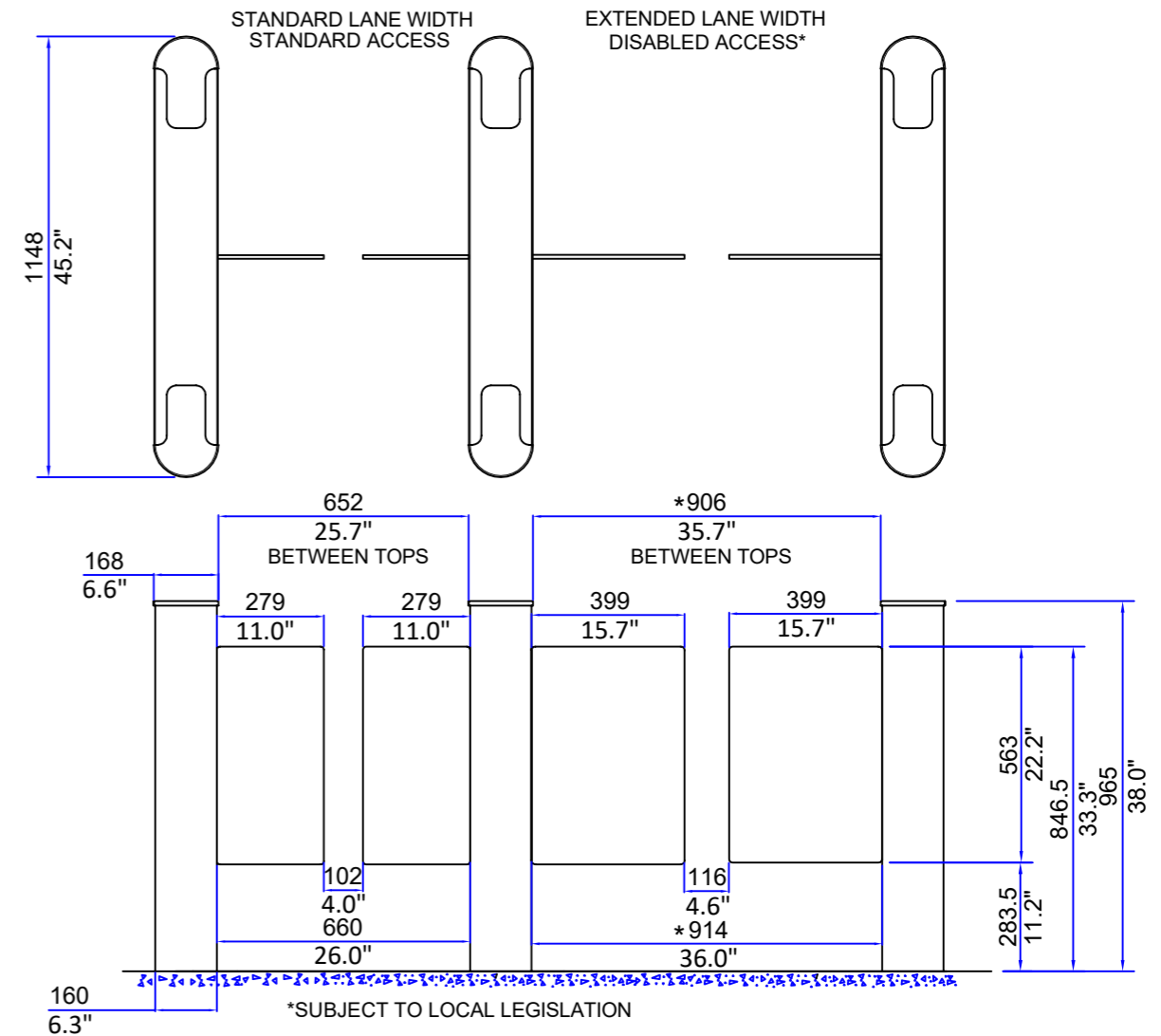


**MATERIAL SPECIFICATIONS**

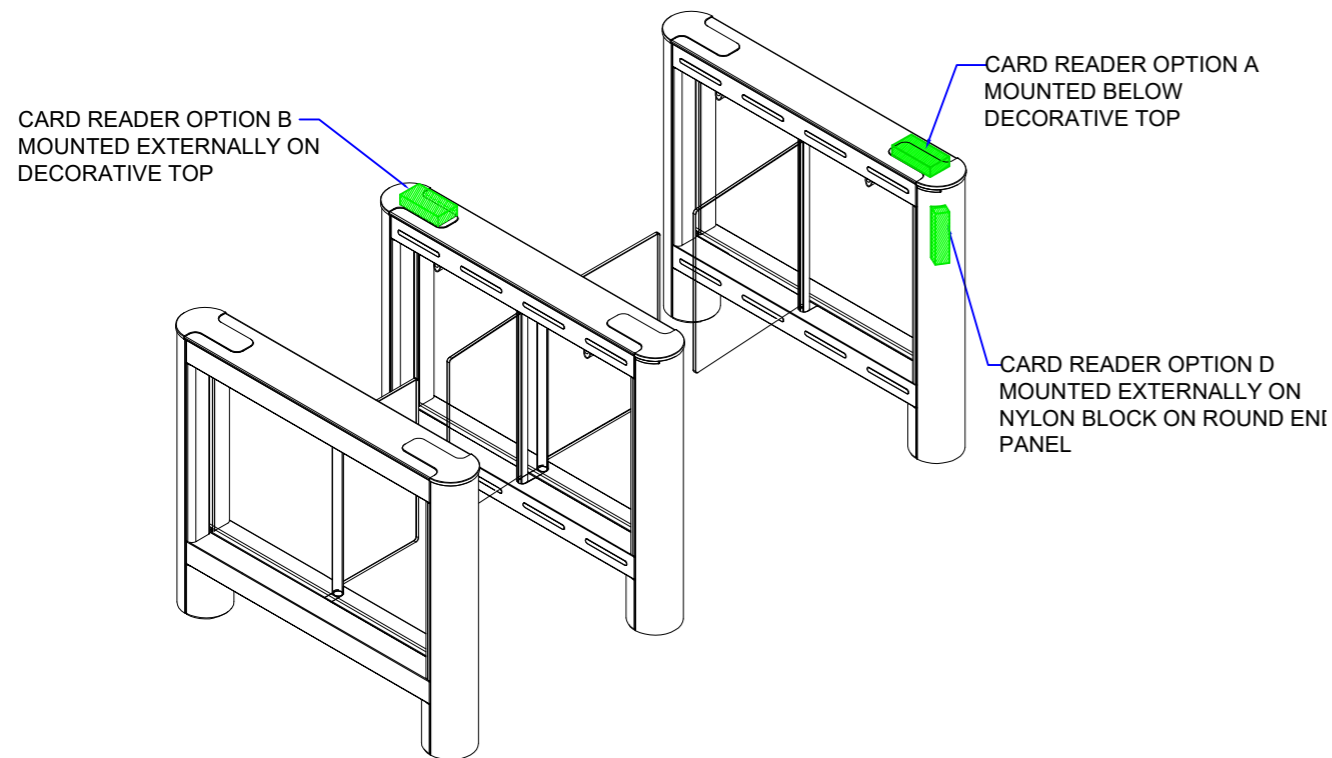


ALL GLASS IS TOUGHENED - EN14179 / ANSI Z97.1  
 ALL STAINLESS STEEL IS 304, 240 GRIT (SATIN No. 4), HORIZONTAL GRAIN  
 DECORATIVE TOP - STAINLESS STEEL AND CORIAN HAS 4mm OVERHANG

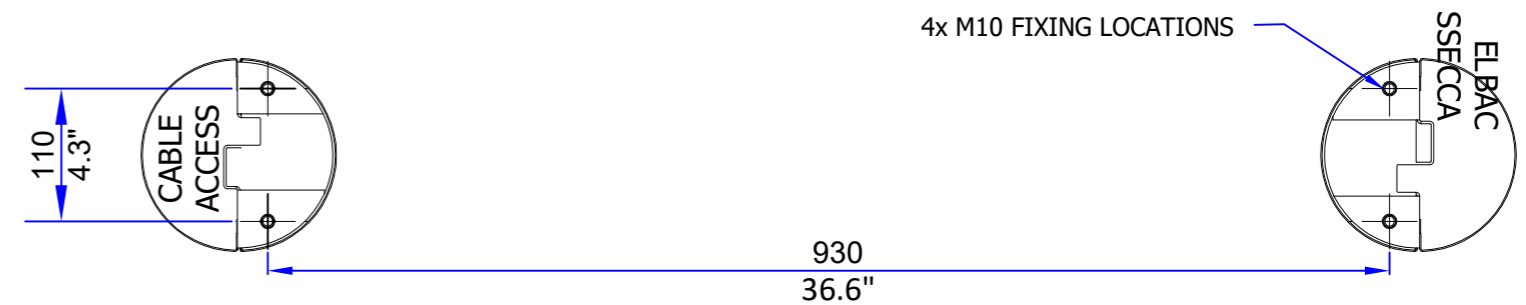
**LANE LAYOUT & GENERAL DIMENSIONS**



**READER MOUNTING OPTIONS**



**PEDESTAL FOOTPRINT**



**PRODUCT: GLASSGATE 150**

**TITLE: GENERAL INFORMATION**

**DRAWING No: GG150\_A9**

FOR SALES INFORMATION ONLY-SUBJECT TO CHANGE  
 ALL DIMENSIONS +/- 2MM

This document is the copyright of Integrated Design Ltd

